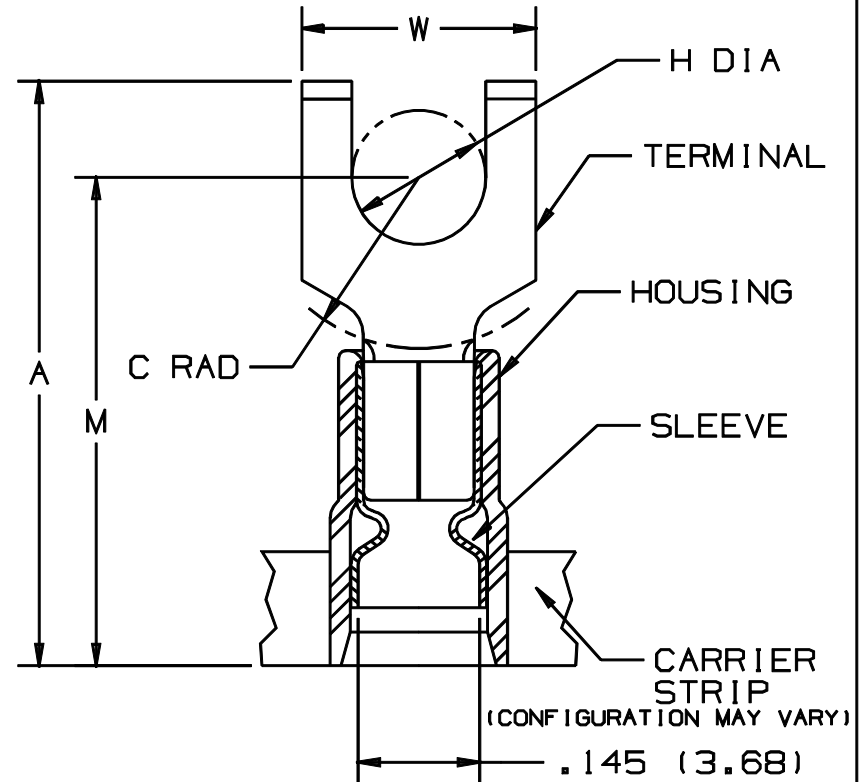


THIS COPY IS PROVIDED ON A RESTRICTED BASIS AND IS NOT TO BE USED IN ANY WAY DETRIMENTAL TO THE INTERESTS OF PANDUIT CORP.

PANDUIT PART NUMBER	STUD SIZE	DIMENSIONS in.				
		A ±.03	W ±.01	C ±.02	M ±.03	H ±.01
PNF18-6FF-3K	#6	.80 (20.32)	.28 (7.11)	.19 (4.83)	.64 (16.26)	.15 (3.81)
PNF18-8FF-3K	#8	.87 (22.10)	.31 (7.87)	.23 (5.84)	.68 (17.27)	.17 (4.32)
PNF18-10FF-3K	#10	.86 (21.84)	.35 (8.89)	.23 (5.84)	.68 (17.27)	.20 (5.08)

NOTES :

- UL LISTED AND CSA CERTIFIED FOR :
 - 600 V MAX. VOLTAGE RATING
 - 221°F (105°C) MAX. TEMP. RATING
 - #22-18 AWG (0.5-1.5 mm²) SOLID OR STRANDED, COPPER WIRE
- INSTALLATION TOOLS :
 - PRESSES - CP-851, CP-860, CP-861
 - APPLICATOR - CA-800
 - DIE INSERTS - CD-800-1
- PACKAGE QTY. : 3K = 3000 PCS.
CONTINUOUS MOLDED CARRIER STRIP
- MATERIAL :
 - STAMPING - .03" (.8) THK COPPER, TIN PLATED
 - HOUSING - RED NYLON
 - SLEEVE - BRASS, TIN PLATED
- DIMENSIONS IN BRACKETS ARE IN MILLIMETERS
- WIRE STRIP LENGTH: 1/4 ^{+1/32}/₀ (6.4 ⁺⁸/₀)



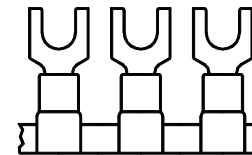
.145 (3.68)
MAX WIRE
INSUL DIA
.090 (2.29)
MIN. WIRE
INSUL. DIA.



LISTED
587H
E52164



CERTIFIED
LR31212



A41202_06

										PANDUIT CORP.	TINLEY PARK, ILLINOIS
06	1/01	KMD		CAD FILE SPEC. WAS N41202AA_PCD_05						TERMO 3PC. CONTINUOUSLY MOLDED NYLON (FUNNEL) INSULATED, 22-18 BARREL, FLANGED FORKS	
05	12/96	JAMB		ADDED DIM., "MIN. WIRE INSUL DIA."	05403						
REV	DATE	BY	CHK	DESCRIPTION	ECN	CUST	PM	DRAWN BY	CHK'D	SCALE	DRAWING NO.
								FES	LA	NONE	A41202