

Cisco 2 Post Rack Switch Brackets

specifications

The brackets shall allow Cisco[^] N2K, N3K, 5010, 5020, 5548, and 5596 series switches to be mounted in a conventional 2 post, 3-inch deep channel rack. The brackets shall be made of steel and consist of a 4-piece assembly for each switch to be mounted in the 2 post, 3-inch channel rack. The brackets shall take advantage of mounting locations on both sides of the three inch channel rack to ensure a secure mount for the switches.



technical information

Bracket part numbers and Cisco switches supported:	R2P5010B R2P5020B R2PN3KB R2P5548B	Cisco [^] 5010 Cisco [^] 5020, Cisco [^] 5596 Cisco [^] N2K, Cisco [^] N3K Cisco [^] 5548
Panduit rack compatibility:	R2P, R2P96, R2P48, R2P79	
Mounting hardware:	Hardware is provided for secure attachment to 2 post racks and for bracket assembly	
Material:	14 gage steel, black powder coating	

key features and benefits

Maximizes RU usage	Brackets consume no additional RU space
Economical mounting option	Allows deep switches to be used on economical 2 post, 3-inch channel racks
Stable switch mount	Brackets use both sides of the 3-inch channel for mounting stability

applications

The Cisco switch bracket can be used in applications that require switch mounting in a conventional 2 post, 3-inch deep EIA compliant channel rack. The brackets and the switches consume no more RU space on the rack than the switch alone. Conventional vertical and horizontal cable management can be used on the rack along with the brackets and the switches.

[^]Cisco is a registered trademark of Cisco Technology Inc.

Cisco 2 Post Rack Switch Brackets

Cisco[^] 5010 Switch

Bracket set: R2P5010B

Cisco[^] 5020 and 5596 Switches

Bracket set: R2P5020B

Cisco[^] N2K and N3K Switches

Bracket set: R2PN3KB

Cisco[^] 5548 Switch

Bracket set: R2P5548B

2 Post 3-Inch Channel Racks Numbered Up

19" wide #12 – 24 threaded rail

52 RU: R2P96

19" wide #12 – 24 threaded rail

45 RU: R2P

19" wide #12 – 24 threaded rail

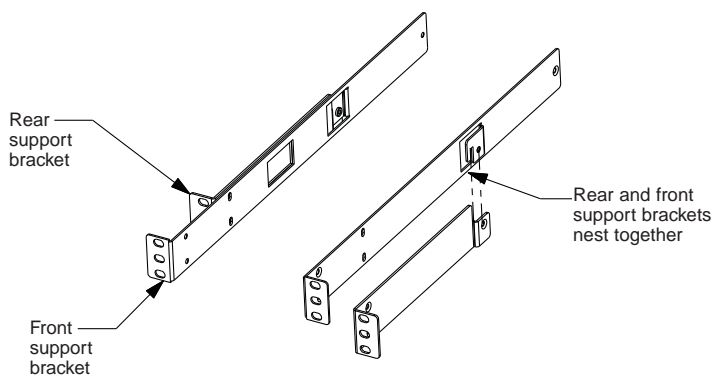
24 RU: R2P48

19" wide #12 – 24 threaded rail

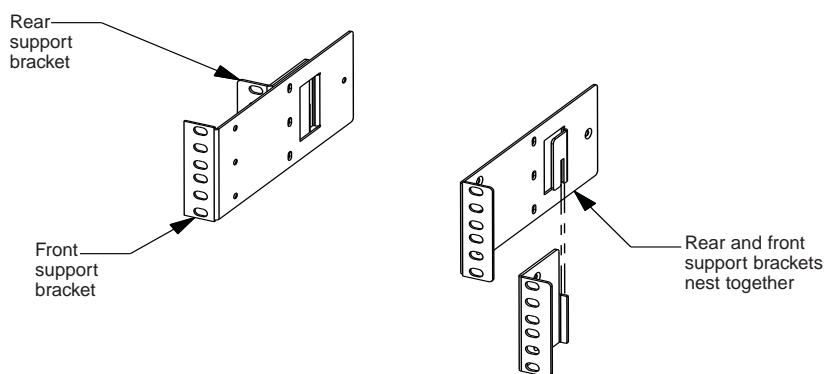
42 RU: R2P79

Cisco 2 Post Rack Switch Brackets

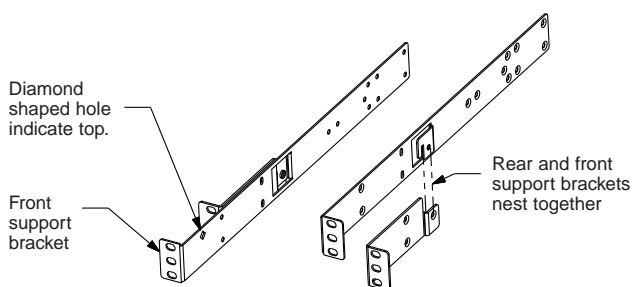
R2P5010B



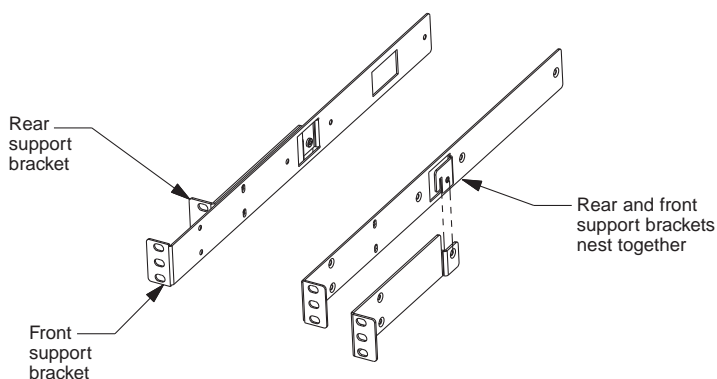
R2P5020B



R2PN3KB



R2P5548B



WORLDWIDE SUBSIDIARIES AND SALES OFFICES

PANDUIT CANADA
Markham, Ontario
cs-cdn@panduit.com
Phone: 800.777.3300

PANDUIT EUROPE LTD.
London, UK
cs-emea@panduit.com
Phone: 44.20.8601.7200

PANDUIT SINGAPORE PTE. LTD.
Republic of Singapore
cs-ap@panduit.com
Phone: 65.6305.7575

PANDUIT JAPAN
Tokyo, Japan
cs-japan@panduit.com
Phone: 81.3.6863.6000

PANDUIT LATIN AMERICA
Guadalajara, Mexico
cs-la@panduit.com
Phone: 52.33.3777.6000

PANDUIT AUSTRALIA PTY. LTD.
Victoria, Australia
cs-aus@panduit.com
Phone: 61.3.9794.9020

For a copy of Panduit product warranties, log on to www.panduit.com/warranty

For more information

Visit us at www.panduit.com

Contact Customer Service by email: cs@panduit.com
or by phone: 800.777.3300

PANDUIT®

©2013 Panduit Corp.
ALL RIGHTS RESERVED.
RKSP120--WW-ENG
Replaces WW-RKSP54
1/2013