

# RJ45 Blockout Devices

# PANDUIT®

SPECIFICATION SHEET

## specifications

The RJ45 jack blockout device shall be compatible with most RJ45 openings to protect and prevent unauthorized access to the network. The device shall snap and lock securely into RJ45 openings and shall only be released with removal tool without interfering with adjacent jacks or hardware. The device shall be utilized in any data application that requires RJ45 type connection. The RJ45 blockout device shall be available in eight color options to enable color identification.



## technical information

<b>Material:</b>	Polycarbonate
<b>Temperature range:</b>	-30°F (-35°C) to 200°F (93°C)
<b>RoHS compliant:</b>	Yes
<b>Halogen free:</b>	Yes

## key features and benefits

<b>Tamper resistant</b>	Device blocks unauthorized access to jacks and potentially harmful foreign objects, saving time and money associated with data security breaches, network downtime, repair and hardware replacement
<b>TIA/EIA-604 FOCIS-3 compliant (or compatible)</b>	Device fits all RJ45 receptacles to accommodate all retrofit applications and new installations
<b>Versatile functionality</b>	Compatible with most RJ45 jacks to accommodate a variety of applications without interference with jack contacts
<b>Compact, low profile design</b>	Can be installed without interfering with adjacent jacks, plugs or connectors, even in high-density applications
<b>Removal tool</b>	Device may only be released with the special removal tool, ensuring the safety and security of your network infrastructure
<b>Color assortment</b>	Enables color-coding for visual identification or aesthetics

## applications

The RJ45 blockout device is designed to protect network integrity and prevent unauthorized access to the network by securing the RJ45 opening. The device saves time and money associated with downtime, data security breaches,

hardware replacement and infrastructure repair. The RJ45 blockout device snaps into the RJ45 opening and can only be released by the removal tool. This ensures safety and security of the network infrastructure.

### RJ45 Jack Blockout Devices\*

<b>Red:</b>	PSL-DCJB
<b>Black:</b>	PSL-DCJB-BL
<b>Blue:</b>	PSL-DCJB-BU
<b>Green:</b>	PSL-DCJB-GR
<b>Yellow:</b>	PSL-DCJB-YL
<b>Orange:</b>	PSL-DCJB-OR
<b>International White:</b>	PSL-DCJB-IW
<b>International Gray:</b>	PSL-DCJB-IG

### Related Products

#### RJ45 Lock-In Devices

<b>Red:</b>	PSL-DCPLX
<b>Black:</b>	PSL-DCPLX-BL
<b>Blue:</b>	PSL-DCPLX-BU
<b>Green:</b>	PSL-DCPLX-GR
<b>Yellow:</b>	PSL-DCPLX-YL
<b>Orange:</b>	PSL-DCPLX-OR
<b>International White:</b>	PSL-DCPLX-IW
<b>International Gray:</b>	PSL-DCPLX-IG

#### LC Duplex Adapter Blockout Devices

<b>Red:</b>	PSL-LCAB
<b>Black:</b>	PSL-LCAB-BL
<b>Blue:</b>	PSL-LCAB-BU
<b>Electric Ivory:</b>	PSL-LCAB-EI

#### LC Duplex Lock-In Clip

**International White:** FLCCLIW-X

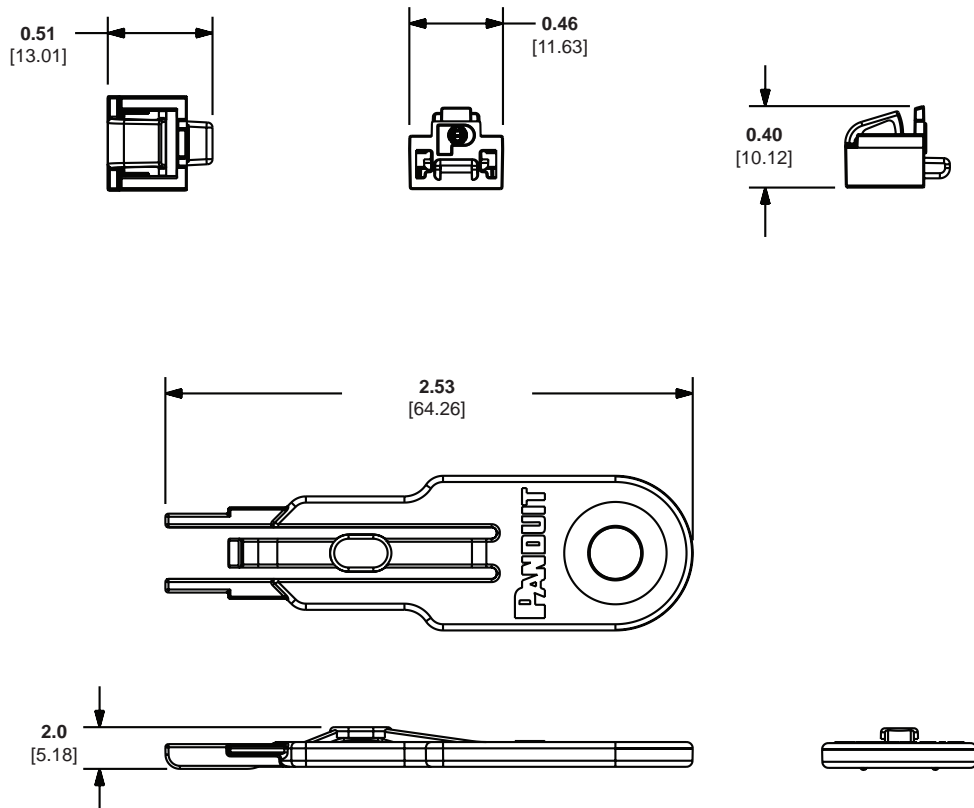
#### SC Adapter Blockout Devices

<b>Red:</b>	PSL-SCBD
<b>Black:</b>	PSL-SCBD-BL
<b>Blue:</b>	PSL-SCBD-BU
<b>Electric Ivory:</b>	PSL-SCBD-EI
<b>Green:</b>	PSL-SCBD-AG

\*Each package contains ten devices and one removal tool. Also available in bulk packages of 100 devices and five removal tools. To order bulk packaging, add -C to the end of the part number.

# RJ45 Blockout Devices

## PSL – DCJB Jack Module Blockout

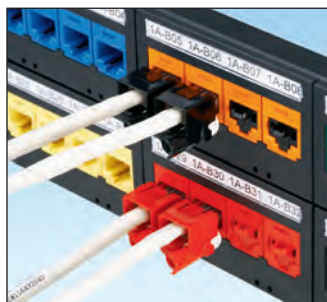


### *related products*

Panduit offers various physical network security products for both copper and fiber applications:



**USB Blockout Device  
(PSL-USBA)**



**RJ45 Plug Lock-In Device  
(PSL-DCPLX)**



**LC Duplex Adapter  
Blockout Device  
(PSL-LCAB)**

Dimensions are in inches. [Dimensions in brackets are metric].

#### WORLDWIDE SUBSIDIARIES AND SALES OFFICES

PANDUIT CANADA  
Markham, Ontario  
cs-cdn@panduit.com  
Phone: 800.777.3300

PANDUIT EUROPE LTD.  
London, UK  
cs-emea@panduit.com  
Phone: 44.20.8601.7200

PANDUIT SINGAPORE PTE. LTD.  
Republic of Singapore  
cs-ap@panduit.com  
Phone: 65.6305.7575

PANDUIT JAPAN  
Tokyo, Japan  
cs-japan@panduit.com  
Phone: 81.3.6863.6000

PANDUIT LATIN AMERICA  
Guadalajara, Mexico  
cs-la@panduit.com  
Phone: 52.33.3777.6000

PANDUIT AUSTRALIA PTY. LTD.  
Victoria, Australia  
cs-aus@panduit.com  
Phone: 61.3.9794.9020

For a copy of Panduit product warranties, log on to [www.panduit.com/warranty](http://www.panduit.com/warranty)

For more information

Visit us at [www.panduit.com](http://www.panduit.com)

Contact Customer Service by email: [cs@panduit.com](mailto:cs@panduit.com)  
or by phone: 800.777.3300

**PANDUIT**<sup>®</sup>

©2016 Panduit Corp.  
ALL RIGHTS RESERVED.  
IDSP26--WW-ENG  
10/2016