

# QuickNet™ SFQ Series MPO Fiber Adapter Panels (FAPs)

## specifications

Small Form Factor QuickNet™ (SFQ) MPO FAPs contain FOCIS 5 compatible fiber optic adapters and meet or exceed TIA/EIA-568-C.3 requirements. Variations include panels with 4, 6, or 8 MPO adapters in either key-up to key-up or key-up to key-down configurations. Maximum density allows for 64 MPO ports in a 1RU space when used in conjunction with QuickNet™ Patch Panels. All SFQ FAPs snap quickly into the rear of QuickNet™ Patch Panels for easy network deployment and quick migration from 10G to 40/100G infrastructure.



## technical information

<b>Standards requirements:</b>	All adapters meet or exceed TIA/EIA-568-C.3 requirements MPO: TIA-604-5-D; FOCIS 5 compatible
<b>Insertion loss and Return Loss:</b>	Supports the performance of Panduit Multimode and Singlemode MPO Patch Cords
	Standard Multimode MPO Patch Cords: 0.50dB Max IL; 20dB Min RL
	Optimized Multimode OM3 and OM4 MPO Patch Cords: 0.35dB Max IL; 26dB Min RL
	Singlemode MPO APC Patch Cords: 0.75dB Max IL; 55dB Min RL

## key features and benefits

<b>Snap quickly into QuickNet™ Patch Panels</b>	Assures flexibility and ease of network deployment. Facilitates migration from 10G to 40/100G infrastructure
<b>MPO adapters follow TIA/EIA-568-C.3 and TIA-604-5-D polarity standards</b>	Type A Polarity: Black adapter housing with key-up to key-down configuration; K=1 Type B Polarity: Charcoal gray adapter housing with key-up to key-up configuration; K=2
<b>MPO adapters offer a compact design for ultimate density</b>	Fits into SC-sized simplex panel openings (See TIA/EIA-604-3 for full dimensional details)

## applications

The QuickNet™ SFQ Series Fiber Adapter Panels are a component of the QuickNet™ Fiber Optic Cabling System. QuickNet™ SFQ Series Fiber Adapter Panels are used in high-density network applications as specified in the Data Center Cabling Standard TIA 942 for cross connects in main distribution, horizontal distribution, and equipment distribution areas. The QuickNet™ Pre-Terminated Cabling System meets the demands of Gigabit Ethernet, 10 Gigabit Ethernet, and high-speed Fibre Channel

systems while maintaining compatibility with Ethernet, Fast Ethernet, and ATM. QuickNet™ SFQ Series Fiber Optic Cassettes, MPO Fiber Adapter Panels and QuickNet™ Copper Cable Assemblies are interchangeable within QuickNet™ Angled and Standard Patch Panels, enabling deployment flexibility and a unified pre-terminated solution. This ensures efficient use of space, quick deployment and the highest reliability for the lowest installed cost.

### QuickNet™ SFQ MPO FAPs – Type A Black Adapters

FAP with 4 MPO key-up/ key-down adapters:	FQMAP45BL
FAP with 6 MPO key-up/ key-down adapters:	FQMAP65BL
FAP with 8 MPO key-up/ key-down adapters:	FQMAP85BL

### QuickNet™ SFQ MPO FAPs – Type B Charcoal Gray Adapters

FAP with 4 MPO key-up/ key-up adapters:	FQMAP46CG
FAP with 6 MPO key-up/ key-up adapters:	FQMAP66CG
FAP with 8 MPO key-up/ key-up adapters:	FQMAP86CG

### Fiber Optic MPO Adapter

MPO adapter Type A; Key up to key down, black:	FAMPOBLA‡
MPO adapter; MPO adapter Type B; Key up to key up, charcoal gray:	FAMPOCGB‡
‡ Listed as single piece. Available in pks. of 10. Add -X to end of part number	

### QuickNet™ MTP\* Trunk Cable Assemblies (Female MTP\* to Female MTP\*) – Plenum (OFNP) Rated

12-fiber:	FSP^1255F+++A
24-fiber:	FSP^2455F+++A
48-fiber:	FSP^4855F+++A

### QuickNet™ MTP\* Trunk Cable Assemblies (Male MTP\* to Male MTP\*) – Plenum (OFNP) Rated

12-fiber:	FSP^1266F+++A
24-fiber:	FSP^2466F+++A
48-fiber:	FSP^4866F+++A

### QuickNet™ MTP\* Trunk Cable Assemblies (Female MTP\* to Male MTP\*) – Plenum (OFNP) Rated

12-fiber:	FSP^1256F+++A
24-fiber:	FSP^2456F+++A
48-fiber:	FSP^4856F+++A

### QuickNet™ MTP\*/MPO Multimode Interconnect Round Cable Assemblies Female to Female – Plenum (OFNP) Rated

OM4 – 10Gig™	FZN0505RTPM001
50/125µm:	FZN0505RTPM001
Optimized OM4 – 10Gig™ 50/125µm:	FZP0505RTPM001
OM3 – 10Gig™	FZN0505RTPM001
50/125µm:	FZN0505RTPM001
Optimized OM3 – 10Gig™ 50/125µm:	FXP0505RTPM001
OM2 – 50/125µm:	F5N0505RTPM001

### QuickNet™ MTP\*/MPO Multimode Interconnect Round Cable Assemblies Male to Male – Plenum (OFNP) Rated

OM4 – 10Gig™	FZN0606RTPM001
50/125µm:	FZN0606RTPM001
Optimized OM4 – 10Gig™ 50/125µm:	FZP0606RTPM001
OM3 – 10Gig™	FZN0606RTPM001
50/125µm:	FZN0606RTPM001
Optimized OM3 – 10Gig™ 50/125µm:	FXP0606RTPM001
OM2 – 50/125µm:	F5N0606RTPM001

### QuickNet™ Cassette MTP\* Cleaning Tool

All MTP\* connectors: FIBCCCT

### QuickNet™ Patch Panels

Angled 24-port:	QAPP24BL
Angled 48-port:	QAPP48HDBL
Standard 24-port:	QPP24BL
Standard 48-port:	QPP48HDBL

### QuickNet™ Zero RU Cassette Bracket

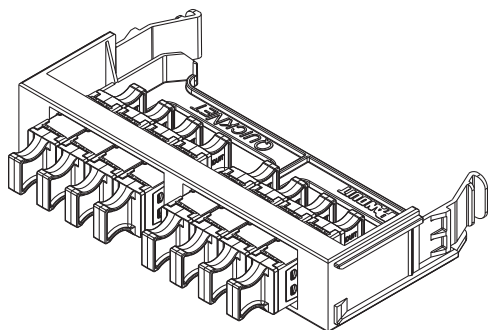
Holds 2 cassettes: FQCBRUA

\*MTP is a registered trademark of US Conec Ltd.  
^Z = 550 meter reach 10Gig™ Multimode OM4 (12-fiber only), X = 300 meter reach 10Gig™ Multimode OM3, 5 = 50/125µm Multimode OM2, 6 = 62.5/125µm Multimode OM1, 9 = Singlemode OS1/OS2

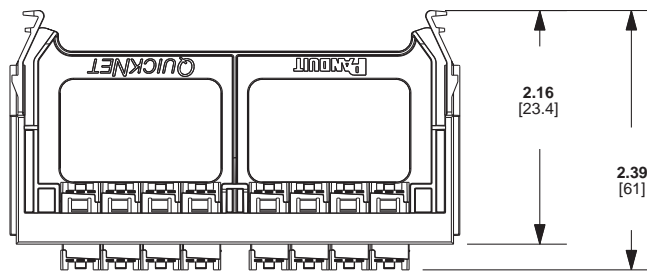
‡‡‡Standard lengths for MTP\* to MTP\* OM3/OM4, 12, 24 and 48 fiber are available from 40 to 200 feet in increments of 5 feet. Ex: FSPX1255F040A (40ft. length) to FSPX1255F100A 100ft. length.) For additional lengths and availability, please contact Panduit Customer Service.

# QuickNet™ SFQ Series MPO Fiber Adapter Panels (FAPs)

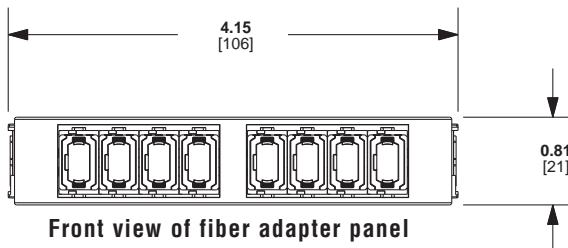
## MPO Fiber Adapter Panels



Angled view of fiber adapter panel  
(Shown with dust caps)

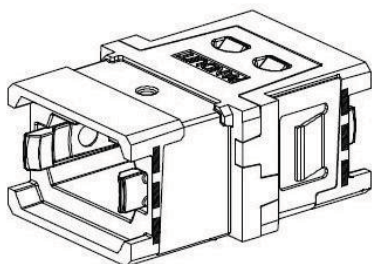


Top view of fiber adapter panel

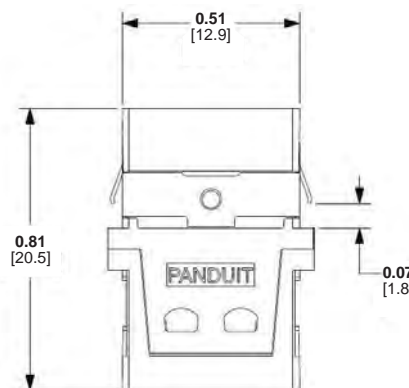


Front view of fiber adapter panel

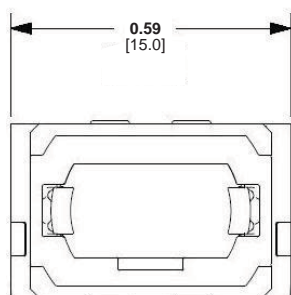
## MPO Fiber Adapter



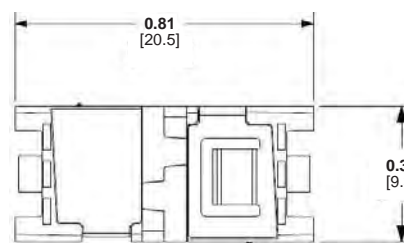
MPO adapter  
(Shown with dust caps removed)



Top view of MPO adapter



Front view of MPO adapter



Side view of MPO adapter

Dimensions are in inches [Dimensions in brackets are metric]

### WORLDWIDE SUBSIDIARIES AND SALES OFFICES

PANDUIT CANADA  
Markham, Ontario  
cs-cdn@panduit.com  
Phone: 800.777.3300

PANDUIT EUROPE LTD.  
London, UK  
cs-emea@panduit.com  
Phone: 44.20.8601.7200

PANDUIT SINGAPORE PTE. LTD.  
Republic of Singapore  
cs-ap@panduit.com  
Phone: 65.6305.7575

PANDUIT JAPAN  
Tokyo, Japan  
cs-japan@panduit.com  
Phone: 81.3.6863.6000

PANDUIT LATIN AMERICA  
Guadalajara, Mexico  
cs-la@panduit.com  
Phone: 52.33.3777.6000

PANDUIT AUSTRALIA PTY. LTD.  
Victoria, Australia  
cs-aus@panduit.com  
Phone: 61.3.9794.9020

For a copy of Panduit product warranties, log on to [www.panduit.com/warranty](http://www.panduit.com/warranty)

For more information

Visit us at [www.panduit.com](http://www.panduit.com)

Contact Customer Service by email: [cs@panduit.com](mailto:cs@panduit.com)  
or by phone: 800.777.3300

**PANDUIT**®

©2013 Panduit Corp.  
ALL RIGHTS RESERVED.  
FBSP46--WW-ENG  
11/2013