

# Category 6A UTP Modular Plug for 26 AWG solid/stranded cable

## specifications

Category 6A/Class E<sub>A</sub>, 8-position, 8-wire, UTP modular plug shall terminate Panduit 4-pair, 26 AWG, 100 ohm, solid or stranded unshielded twisted pair patch cable with maximum conductor insulation diameter of 0.034 in. (0.86mm) and maximum jacket diameter of 0.25 in. (6.35mm).



## technical information

<b>Category 6A/Class E<sub>A</sub> component performance:</b>	Exceeds ANSI/TIA Category 6A and ISO Class E <sub>A</sub> performance requirements when properly terminated to Panduit Category 6A UTP copper cable
<b>Cable jacket diameter range:</b>	0.220 (5.59mm) – 0.250 in. (6.35mm)
<b>Conductor insulation diameter range:</b>	0.025 (0.64mm) – 0.034 in. (0.86mm)
<b>FCC and ANSI compliance:</b>	Meets ANSI/TIA-1096-A (formerly FCC Part 68)
<b>IEC compliance:</b>	IEC-60603-7
<b>PoE compliance:</b>	Supports PoE, PoE+, and proposed Type 3 and 4 PoE++ applications for up to 100 W
<b>RoHS compliance:</b>	Compliant
<b>Conductor termination:</b>	Compatible with Panduit 26 AWG solid or stranded Category 6A UTP patch cable
<b>Plug Housing:</b>	UL94V-0 rated clear Polycarbonate
<b>Contacts:</b>	Gold plated phosphor bronze
<b>Operating temperature:</b>	14°F to 140°F (-10°C to 60°C)
<b>Storage temperature:</b>	-40°F to 158°F (-40°C to 70°C)

## key features and benefits

<b>Patented tangle-free latch:</b>	Prevents snags and provides easy release, saving time and providing reliability on frequent moves, adds, and changes
<b>Robust construction</b>	Rated to 2500 mating cycles

## applications

Category 6A plugs allow customers to meet performance requirements in ISO 11801 Class EA, IEEE 802.3an-2006 and ANSI/TIA-568-C.2 Category 6A standards to support transmission at speeds up to and including 10GBASE-T. These plugs can be used in applications with data centers and

connections to high end workstations such as stacking switches and switch-to-switch links, storage area networks, aggregation of Gigabit Ethernet channels, real-time intensive financial transactions, streaming video, animation, scientific modeling, and medical imaging.

### Category 6A UTP Modular Plug

**100/pack:** SP6X88SD-C

### Tools and Accessories

**Termination tool:** CSPT

**Crimp tool:** MPT5-8AS

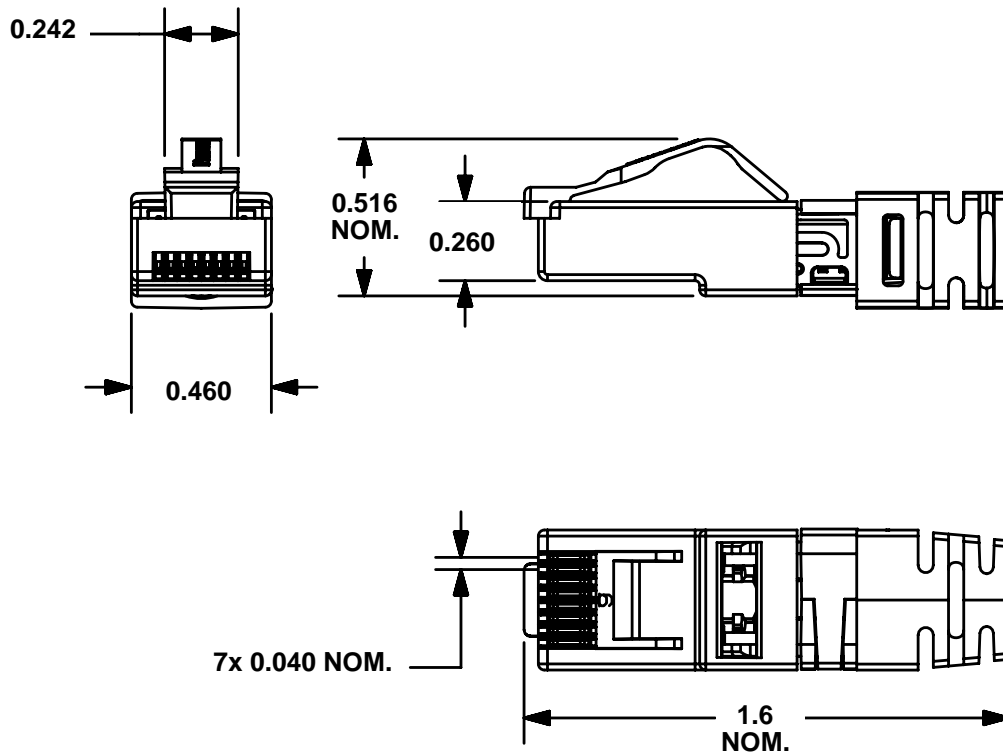
**Wire prep tool:** WPT-8

**RJ45 plug lock-in device (standard):** PSL-DCPLX<sup>^</sup>

**RJ45 plug lock-in device (recessed):** PSL-DCPLRX<sup>^</sup>

<sup>^</sup>For colors other than Red, add suffix -BL (Black), -BU (Blue), -GR (Green), -YL (Yellow), -OR (Orange), IW (Int'l White), or -IG (Int'l Gray) to the end of the part number.10/package. Add -C for bulk packages of 100.

# Category 6A UTP Modular Plug for 26 AWG cable



## WORLDWIDE SUBSIDIARIES AND SALES OFFICES

PANDUIT CANADA  
Markham, Ontario  
cs-cdn@panduit.com  
Phone: 800.777.3300

PANDUIT EUROPE LTD.  
London, UK  
cs-emea@panduit.com  
Phone: 44.20.8601.7200

PANDUIT SINGAPORE PTE. LTD.  
Republic of Singapore  
cs-ap@panduit.com  
Phone: 65.6305.7575

PANDUIT JAPAN  
Tokyo, Japan  
cs-japan@panduit.com  
Phone: 81.3.6863.6000

PANDUIT LATIN AMERICA  
Guadalajara, Mexico  
cs-la@panduit.com  
Phone: 52.33.3777.6000

PANDUIT AUSTRALIA PTY. LTD.  
Victoria, Australia  
cs-aus@panduit.com  
Phone: 61.3.9794.9020

For a copy of Panduit product warranties, log on to [www.panduit.com/warranty](http://www.panduit.com/warranty)

For more information

Visit us at [www.panduit.com](http://www.panduit.com)

Contact Customer Service by email: [cs@panduit.com](mailto:cs@panduit.com)  
or by phone: 800.777.3300

**PANDUIT**<sup>®</sup>

©2015 Panduit Corp.  
ALL RIGHTS RESERVED.  
COSP356--WW-ENG  
8/2015