

vizia +[®] Commercial Grade Lighting Controls Collection



VPI06-1L



VPM10-1L



VPE06-1L



VP00R-10



VPS15-1L

Vizia +[®] lighting controls have an all-digital design, coupled with an elegantly simple user interface, resulting in exceptionally intuitive, easy-to-operate controls. The return-to-neutral design provides the ultimate in visual and tactile appeal. The dimmers feature a fade ON/fade OFF, selectable fade rates and minimum brightness levels. The Energy Save mode allows users to decrease the maximum brightness level to reduce energy consumption. The matching remote tracks and displays the same green LED lights as the dimmer. They are ideal for new construction as well as retrofit applications and can be used in a host of commercial applications, from restaurants and medical offices to hotels and office buildings.

PRODUCT FEATURES

- Superior versatility provides six product options in each box:
 - 3 changeable face plates
 - Single pole or 3-way
- Efficient construction with consistent form factor, excellent ergonomic traits, precision feel and aesthetically pleasing design
- Digital circuitry provides soft on and fade off
- High gloss finish complements any décor
- Green LED serves as locator light
- Complements Vizia RF +[®] lighting controls and switches
- Compatible with Decora[®] and Decora Plus[™] screwless wallplates
- Remotes available for multi-location control
- Universal design crisp actuation, minimal travel
- Meets all applicable UL, CSA and FCC requirements

SPECIFICATIONS

Operating Temperature

- 0° C to 55° C

AGENCY STANDARDS AND COMPLIANCE

- UL Listed (File #E-31373)
- CSA Certified (File #LR-3413)
- California Title 24 Compliant

WARRANTY INFORMATION

- Limited Five-Year Warranty

Leviton Mfg. Co., Inc.

201 North Service Road Melville, NY 11747 Tech Line: 1-800-824-3005 Fax: 1-800-832-9538 www.leviton.com
© 2014 Leviton Manufacturing Co., Inc. All rights reserved. Subject to change without notice.

WIRING DIAGRAMS

Diagram 1

Single pole wiring for incandescent or magnetic low voltage dimmer.

Dimmers

VPI06
VPM10

NOTES:

- 1) VPI06 has screw terminals, VPM10 has leads
- 2) Red and Black leads (or terminals) are interchangeable

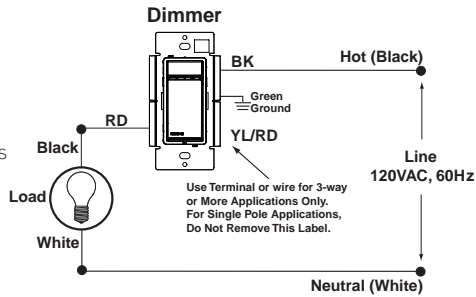
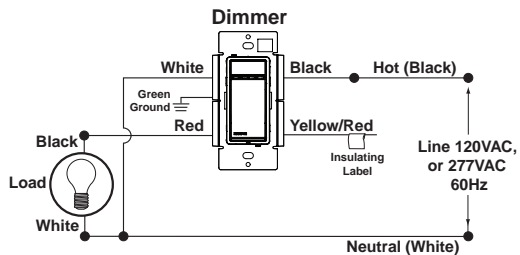


Diagram 2

Single pole wiring for electronic low voltage dimmers, Mark 10[®] Powerline dimmers, fan speed control or switch.



Dimmers

VPE06
VPX10
VPX12-7L

Fan Speed Control

VPF01

Switch

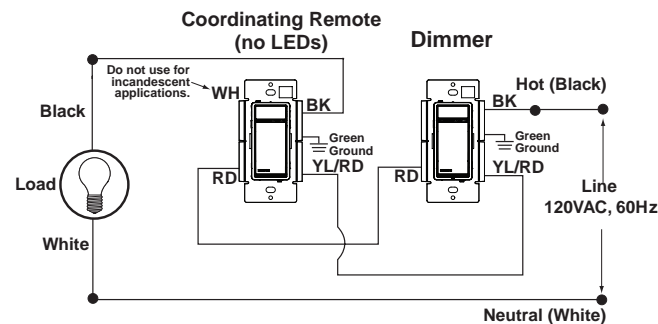
VPS15

NOTES:

- 1) VPS15 has screw terminals, VPE06, VPX10, VPF01 and VPX12-7L have leads

Diagram 3

3-way wiring for incandescent or magnetic low voltage dimmers with coordinating remote.



Dimmers

VPI06
VPM10

Coordinating Dimmer Remote

VP00R-10

Coordinating Switch Remote

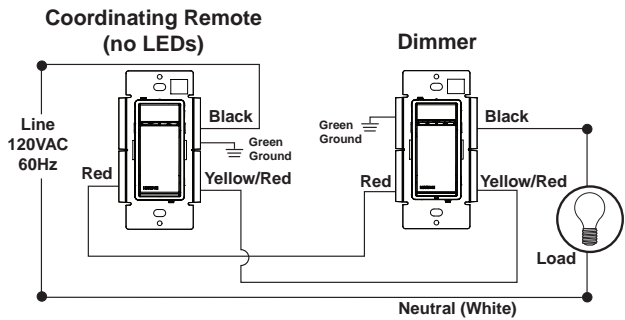
VPOSR-10

NOTES:

- 1) VPI06, VPOSR-10 and VP00R-10 have screw terminals, VPM10 has leads
- 2) Black connections are interchangeable (see Diagram 4)
- 3) Silver terminal on coordinating remote is unused

Diagram 4

Alternate 3-way wiring for incandescent or magnetic low voltage dimmer with coordinating remote.



Dimmers

VPI06
VPM10

Coordinating Dimmer Remote

VP00R-10

Coordinating Switch Remote

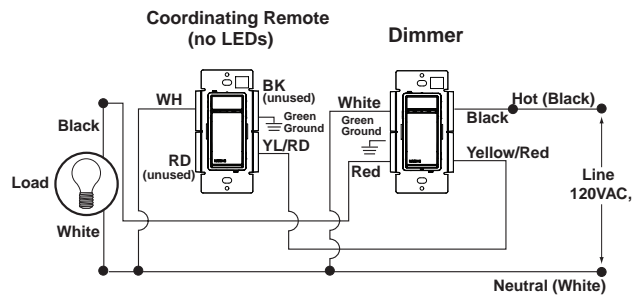
VPOSR-10

NOTES:

- 1) VPI06, VPOSR-10 and VP00R-10 have screw terminals, VPM10 has leads
- 2) Black connections are interchangeable (see Diagram 3)
- 3) Silver terminal on coordinating remote is unused

Diagram 5

3-way wiring for electronic low voltage dimmer, Mark 10[®] Powerline dimmer, fan speed control or switch with coordinating remote.



Dimmers

VPE06
VPX10

Coordinating Dimmer Remote

VP00R-10

Fan Speed Control

VPF01

Coordinating Switch Remote

VPOSR-10

Switch

VPS15

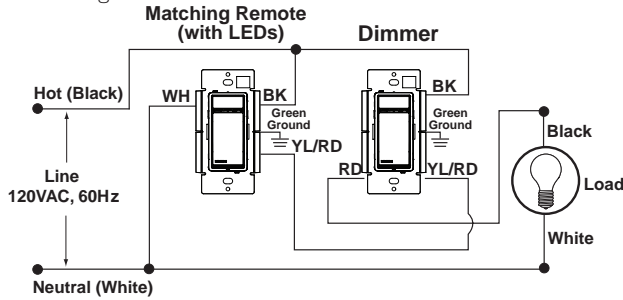
NOTES:

- 1) VPS15, VPOSR-10 and VP00R-10 have screw terminals, VPE06, VPX10 and VPF01 have leads
- 2) Black and Red terminals on coordinating remotes are unused

Sharing a neutral wire may cause flickering or other unforeseen issues. Connect all lighting/fan speed controls to the same phase or run a separate neutral to each phase. Consult the Leviton tech line if problems persist.

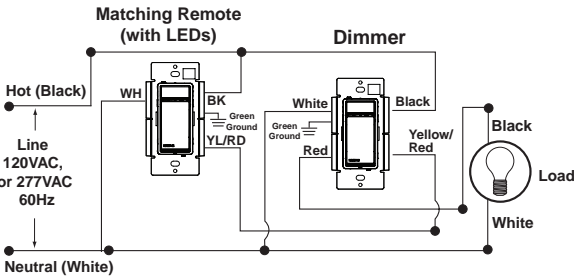
WIRING DIAGRAMS

Diagram 6
3-way wiring for incandescent or magnetic low voltage dimmer with matching remote.



- Dimmers**
VPI06
VPM10
- Matching Dimmer Remote**
VP00R-1L
- Coordinating Switch Remote**
VPOSR-10
- NOTES:
1) VPI06, VP00R-1L and VPOSR-10 have screw terminals, VPM10 has leads

Diagram 7
3-way wiring for electronic low voltage dimmer, Mark 10® Powerline dimmer, fan speed control or switch with matching remote.



- Dimmers**
VPE06
VPX10
VPX12-7L
- Fan Speed Control Switch**
VPF01
VPS15
- Matching Dimmer Remotes**
VP00R-1L
VP00R-7L
- Coordinating Switch Remote**
VPOSR-10
- NOTES:
1) VPS15, VPOSR-10 and VP00R-1L have screw terminals, VPE06, VPX10, VPF01, VPX12-7L, VP00R-7L have leads

Diagram 8
Single pole wiring for Hi-lume® fluorescent dimmer

- Dimmers**
VPH08
VPH06-7L

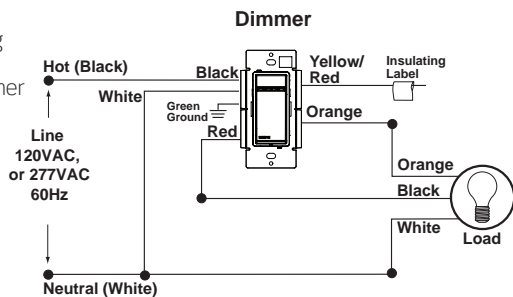
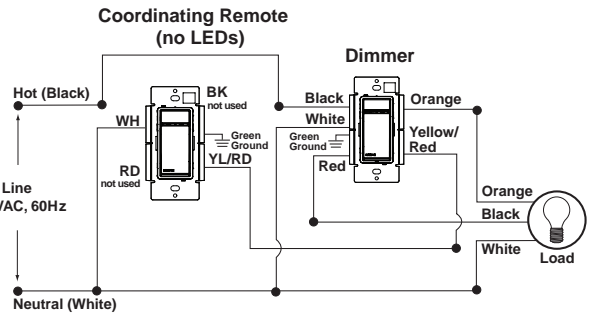


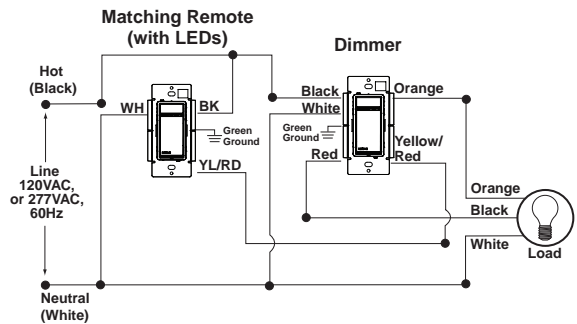
Diagram 9
3-way wiring for Hi-lume® fluorescent dimmer with coordinating remote.



- Dimmer**
VPH08
- Coordinating Dimmer Remote**
VP00R-10
- Coordinating Switch Remote**
VPOSR-10

- NOTES:
1) Coordinating remote VP00R-10 and VPOSR-10 have screw terminals, VPH08 has leads
2) Black and Red terminals on coordinating remote are unused

Diagram 10
3-way wiring for Hi-lume® fluorescent dimmer with matching remote.



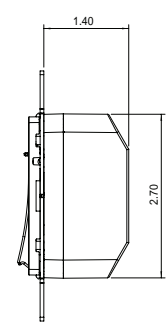
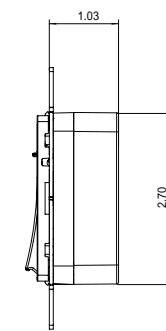
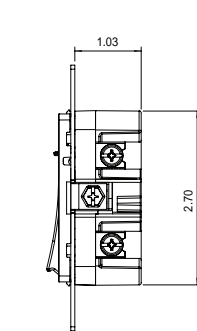
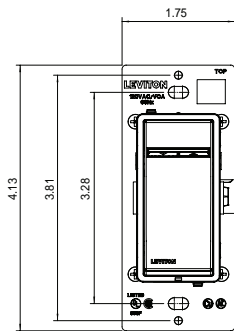
- Dimmers**
VPH06-7L
VPH08-1L
- Matching Dimmer Remotes**
VP00R-1L
VP00R-7L
- Matching Switch Remote**
VPOSR-1L

- NOTES:
1) VP00R-1L has screw terminals, VPH08-1L, VPH06-7L and VP00R-7L have leads

Sharing a neutral wire may cause flickering or other unforeseen issues. Connect all lighting/fan speed controls to the same phase or run a separate neutral to each phase. Consult the Leviton tech line if problems persist.

DIMENSIONAL DRAWINGS

All Dimmers, Quiet Fan Speed Control, Electronic Switch, Matching and Coordinating Remotes



Dimmer with LEDs Shown - VPI06, VP00R-1L, VP00R-10, VPOSR-1L, VPOSR-10, VPS15

Dimmer with LEDs Shown - VPM10, VP00R-7L, VPF01*
*Note: VPF01 does not have fins

Dimmer with LEDs Shown - VPE06, VPH08, VPH06-7L, VPX10, VPX12-7L

Leviton Mfg. Co., Inc.

201 North Service Road Melville, NY 11747 Tech Line: 1-800-824-3005 Fax: 1-800-832-9538 www.leviton.com
© 2014 Leviton Manufacturing Co., Inc. All rights reserved. Subject to change without notice.

ORDERING INFORMATION

Cat. No.	Description	Rating	Color*
Dimmers and Fan Speed Control			
VPI06-1L	Incandescent Dimmer with LED locator and brightness display	600W-120VAC	Z
VPM10-1L	Incandescent/Magnetic Low Voltage Dimmer with LED locator and brightness display	Incandescent: 1000W-120 VAC Magnetic Low Voltage: 1000VA (800W)-120VAC	Z
VPE06-1L	Electronic Low Voltage Dimmer with LED locator and brightness display; neutral required	600W-120VAC	Z, T
VPX10-1L	Fluorescent Dimmer for Mark 10® <i>Powerline</i> or Tu-Wire® Ballasts with LED locator and brightness display; neutral required	1000VA-120VAC	Z
VPX12-7L	Fluorescent Dimmer for Mark 10® <i>Powerline</i> Ballasts with LED locator and brightness display; neutral required	1200VA-277VAC	Z
VPH08-1L	Fluorescent Dimmer for Hi-lume® or Eco-10® (Eco-Series) Ballasts with LED locator and brightness display; neutral required	8A-120VAC	Z
VPH06-7L	Fluorescent Dimmer for Hi-lume or Eco-10 (Eco-Series) Ballasts with LED locator and brightness display; neutral required	6A-277VAC	Z
VPF01-1L	Quiet Fan Speed Control with LED locator and fan speed display; neutral required	1.5A-120VAC	Z
VP00R-10	Coordinating Remote Unit to 120VAC Dimmers/Fan Speed Control for 3-way or up to 10 locations, no LED; neutral required	No Load Rating - 120VAC	Z
VP00R-1L	Matching Remote Unit to 120VAC Dimmers/Fan Speed Control for 3-way or up to 5 locations, with LED locator and brightness/fan speed display; neutral required	No Load Rating - 120VAC	Z
VP00R-7L	Matching Remote Dimmer to 277VAC Dimmers for 3-way or up to 5 locations, with LED locator and brightness display; neutral required	No Load Rating - 277VAC	Z
Switches			
VPS15-1L	Electronic Switch with LED locator; neutral required	15A-120VAC	Z
VPOSR-10	Coordinating Remote Switch to 120V AC Dimmers/Fan Speed Control and VPS15-1L Switch for 3-way or up to 10 locations, no LED; neutral required*	No Load Rating - 120VAC	Z
VPOSR-1L	Matching Remote Switch to 120VAC Dimmers/Fan Speed Control and VPS15-1L Switch for 3-way or up to 5 locations with LED locator; neutral required	No Load Rating - 120VAC	Z

Z — Comes packaged: White, Ivory and Light Almond

*Except when used with incandescent or magnetic low voltage devices.

Color Change Kits

Cat. No.	Description	Color
VPKIT-MD	Matching Dimmer Color Change Kit with LED locator and brightness display	W, I, T, G, E, B, R
VPKIT-CD	Coordinating Dimmer Color Change Kit, no LEDs	W, I, T, G, E, B, R
VPKIT-MS	Matching Switch Color Change Kit with LED locator	W, I, T, G, E, B, R
VPKIT-CS	Coordinating Switch Color Change Kit, no LED	W, I, T, G, E, B, R

Leviton Manufacturing Co., Inc.

201 North Service Road, Melville, NY 11747-3138

Telephone: 1-800-323-8920 • Fax: 1-800-832-9538 • Tech Line: (8:30AM-7:00PM E.T. Monday-Friday): 1-800-824-3005

Leviton Manufacturing of Canada, Ltd.

165 Hymus Boulevard, Pointe Claire, Quebec H9R 1E9 • Telephone: 1-800-469-7890 • Fax: 1-800-563-1853

Leviton S. de R.L. de C.V.

Lago Tana 43, Mexico DF, Mexico CP 11290 • Tel. (+52) 55-5082-1040 • Fax. (+52) 5386-1797 • www.leviton.com.mx

Visit our website at www.leviton.com

© 2014 Leviton Manufacturing Co., Inc. All rights reserved. Subject to change without notice.

