

Angled Single-Gang QuickPort® Wallplates with ID Windows

APPLICATION

Angled single-gang wallplates accept QuickPort snap-in modules to support multimedia applications with either 1, 2, or 4 ports. Use where designation windows in an economical single-gang flush-mount housing are desired. Available in four colors: white, ivory, light almond, and black (4-port only).



42081-1xS

42081-2xS

42081-4xS

SPECIFICATION

The wallplate housing shall be a one-piece, single-gang flush-mount style that fits standard NEMA openings. It shall provide 1, 2, or 4 ports and feature an angled design to facilitate optimal cable management. The wallplate shall accept all Leviton QuickPort UTP, fiber, or A/V modules. Wallplate shall be made of high-impact, fire-retardant plastic rated UL 94V-0, and be cULus Listed and compliant with ANSI/TIA-568-C.0 specifications. Colors, port counts, and configurations to be specified per schedule on plan.

FEATURES

- Angled ports facilitate optimal cable management, ensuring proper bend radius compliance in front and back of connector
- Includes ID designation windows for each wallplate
- Fits within minimum rectangular NEMA openings
- Compatible with all individual QuickPort UTP, fiber, and A/V modules
- Individual port configurability allows specification flexibility
- Narrow module width allows high port density in a small area
- Ideal for Cat 6A and fiber optic applications at the workstation
- Slotted mounting holes allow installers to level the plate if back box is crooked
- Recessed ports protect jack and patch cord plug

DESIGN CONSIDERATIONS

- Fits standard NEMA single-gang back boxes
- For future expansion, install blanks (41084-BxB) in unused ports
- Specify port identification method (colored modules, designation labels, and custom silk-screening available)
- Identify ports using different colored connectors for each application (full selection of ANSI/TIA-606 compatible colors) or Leviton pre-printed Port Designation Labels (41080-LEB)

STANDARDS COMPLIANCE

- cULus Listed (UL 1863 & CAN/CSA-C22.2 No. 182.4)
- ANSI/TIA-568-C.0

PHYSICAL SPECIFICATIONS

Dimensions: See page two
Capacity: Available in 1-, 2-, or 4-port versions
Materials: High-impact, fire-retardant plastic rated UL 94V-0

COUNTRY OF ORIGIN

Taiwan

WARRANTY INFORMATION

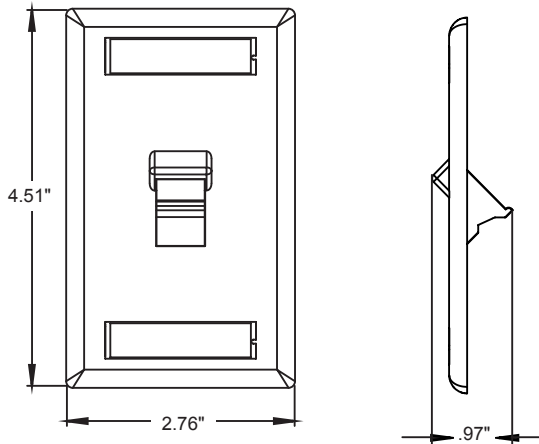
For a copy of Leviton product warranties, visit www.leviton.com/warranty.

ELECTRONIC FILES

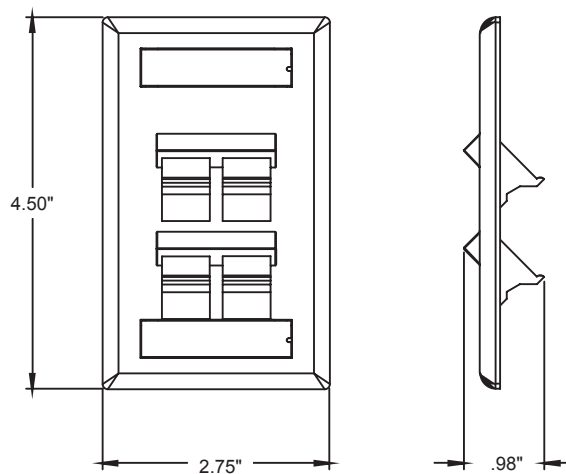
For CAD files, typical specs, or technical drawings (.DXF, .DWG), visit www.leviton.com.

42081-xxS

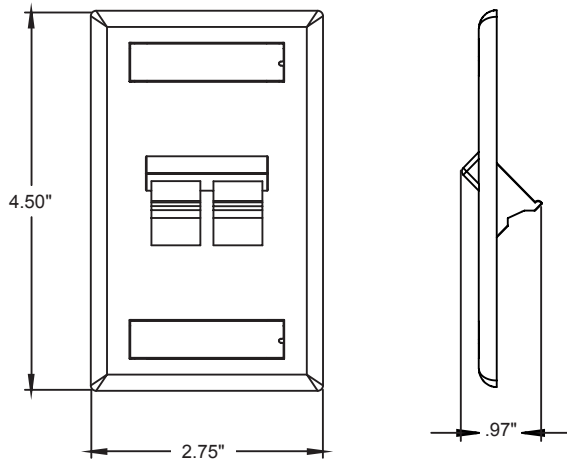
42081-1xS



42081-4xS



42081-2xS



PART NUMBERS

Description	WHITE	LT. ALMOND	IVORY	BLACK
Angled Single-Gang QuickPort® Wallplate with ID Windows, 1 Port	42081-1WS	42081-1TS	42081-1IS	—
Angled Single-Gang QuickPort Wallplate with ID Windows, 2 Ports	42081-2WS	42081-2TS	42081-2IS	—
Angled Single-Gang QuickPort Wallplate with ID Windows, 4 Ports	42081-4WS	42081-4TS	42081-4IS	42081-4ES



Leviton Network Solutions
2222 - 222nd St. SE
Bothell, WA 98021-4416

Asia / Pacific
T +1.631.812.6228
E infoasean@leviton.com

Canada
T +1.514.954.1840
E pcservice@leviton.com

Caribbean
T +1.954.593.1896
E infocaribbean@leviton.com

China
T +852.2774.9876
E infochina@leviton.com

Colombia
T +57.1.743.6045
E infocolombia@leviton.com

tel 1-800-824-3005
tel +1-425-486-2222
appeng@leviton.com
www.leviton.com

Europe
T +33.6.8869.1380
E infoeurope@leviton.com

India / SAARC
T +971.4.886.4722
E infoindia@leviton.com

Mexico
T +52.55.5082.1040
E lsamarketing@leviton.com

Middle East & Africa
T +971.4.886.4722
E lmeinfo@leviton.com

South Korea
T +82.2.3273.9963
E infokorea@leviton.com