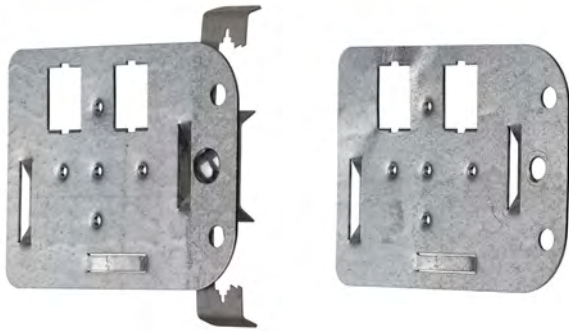


QuickPort® In-Ceiling Bracket

APPLICATION

The QuickPort In-Ceiling Bracket provides the ability to create a testable permanent link for cabling that terminates above a drop ceiling. The bracket is ideal for Ethernet-enabled devices that mount on or above the ceiling tiles, such as WAPs and cameras. The metal bracket is available with a pre-installed multi-function clip that attaches to standard drop wire/rod, as well as individual brackets that provide flexibility for installations. Leviton 1-port and 2-port QuickPort Surface-Mount Boxes (sold separately) attach to the bracket with included fasteners. The bracket and surface-mount box assembly is plenum rated, making it suitable for use in air handling spaces.



In-Ceiling Bracket, includes clip for drop wire/rod mounting (49223-CBC)

In-Ceiling Bracket, no clip (49223-CB0)

SPECIFICATION

The bracket shall provide the ability to create a testable permanent link for cabling that terminates above a drop ceiling. The bracket shall provide a fixed location for the connector after termination, reducing the potential for damage prior to device installation. It shall be available individually or with pre-installed multi-function clip that attaches to standard drop wire/rod. Surface-mount housings shall be used with the bracket to protect the connector terminations and provide strain relief. The bracket shall include tie-down points to accommodate cabling slack loops. The bracket shall be installed on a dedicated drop wire/rod per NEC® 300.11. Surface-mount housings shall be tested to UL 2043 as suitable for use in air-handling spaces per NEC® 300-22(b)(c).

FEATURES

- Allows for ANSI/TIA-568-C compliant cabling design
- Provides the ability to create a testable permanent link for cabling that terminates above the drop ceiling
- Creates a fixed location for the connector after termination, reducing the potential for damage prior to device installation
- Bracket assembly can be moved if the device is repositioned, protecting the permanent link
- Brackets available individually or with pre-installed multi-function clip that attaches to standard drop wire/rod
- Compatible with QuickPort Surface-Mount Boxes (fasteners included with bracket, boxes sold separately)
- Connectors can install directly to the bracket, but use of a Surface-Mount Box is recommended to protect the termination and provide strain relief
- VELCRO® Brand tie-down points accommodate cabling slack loops
- Bracket assembly can be moved if the device is repositioned

DESIGN CONSIDERATIONS

- Leviton QuickPort 1-port (41089-1xP) and 2-port (41089-2xP) Surface-Mount Boxes have been tested to UL 2043 as suitable for use in air-handling spaces per NEC® 300-22(b)(c)
- Brackets must be installed on a dedicated drop wire/rod per NEC® 300.11

PHYSICAL SPECIFICATIONS

Dimensions: see page two
 Materials: cold-rolled steel
 Clip compatibility ¼" rod size or #12 wire size

STANDARDS COMPLIANCE

ANSI/TIA-568-C compliant

COUNTRY OF ORIGIN

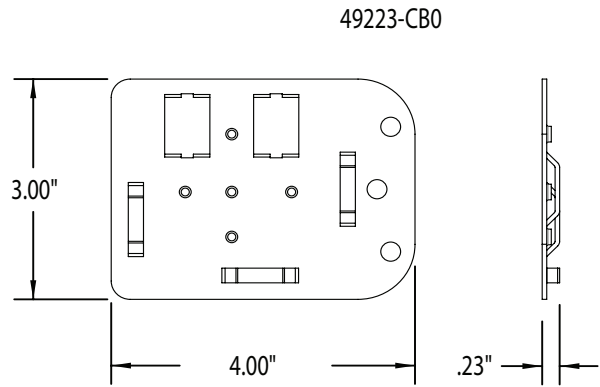
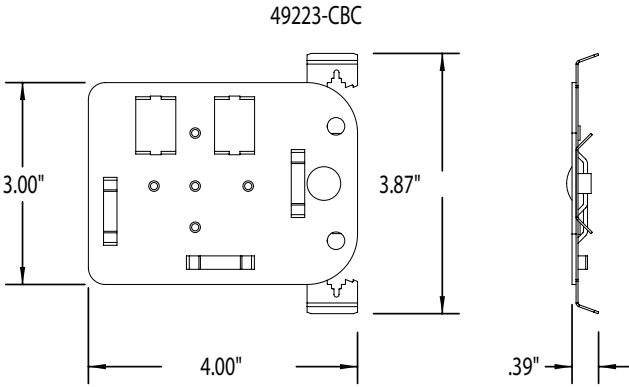
Mexico

WARRANTY INFORMATION

For a copy of Leviton product warranties, visit www.leviton.com/warranty

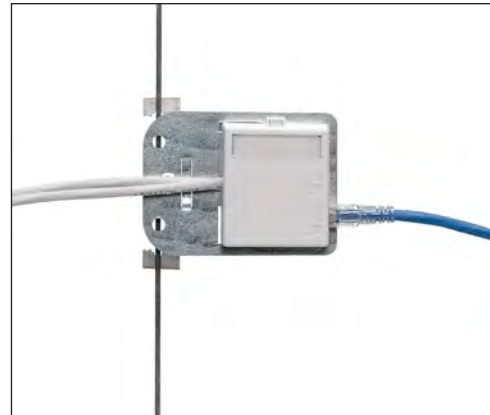
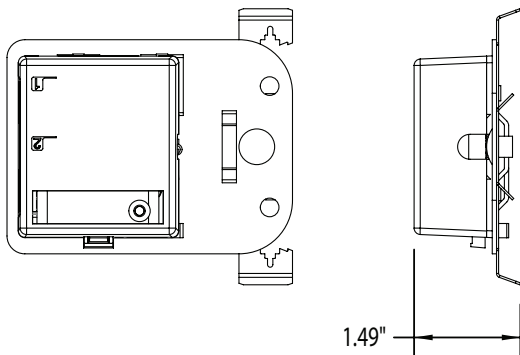
ELECTRONIC FILES

For CAD files, typical specs, or technical drawings (.DXF, .DWG), visit www.leviton.com.



49223-CBC, 49223-CB0

49223-CBC (WITH 41089-2xP INSTALLED)



In-Ceiling Bracket attached to plenum-rated QuickPort Surface-Mount Box (41089-2xP, sold separately) and mounted to drop wire

PART NUMBERS

Description	Part No.
In-Ceiling Bracket, with clip for drop wire/rod mounting	49223-CBC
In-Ceiling Bracket, without clip	49223-CB0

