

Single-Gang QuickPlate® Tempo Wallplates with ID Windows

APPLICATION

Leviton patented Single-Gang QuickPlate Tempo Wallplates accept QuickPort® snap-in modules to support multimedia station applications. They are ideal for use where port designation windows in a one-piece, single-gang, economical flush-mount housing is desired. Wallplates are available with two or four ports and in five colors (white, light almond, ivory, grey, and black).



42090-2xS



42090-4xS



Rear View

SPECIFICATION

The wallplate housing shall be a one-piece, single-gang flush-mount style. It shall be available in 2- or 4-port configurations. It shall accept all Leviton QuickPort connectors. Wallplate shall feature clear port ID windows. Wallplate shall connect to the wallboard using Leviton patented design and arm members. It shall be made of high-impact, fire-retardant plastic rated UL 94V-0, and be cULus Listed and compliant with ANSI/TIA-568-C.0 specifications.

FEATURES

- Patented rear wings tighten to wallboard, eliminating the need for a box or mounting brackets and supporting fast, one-step installation with a flush mount
- Wings accommodate 5/8 inch and under wallboard thickness
- Center lines included as a guide for easy alignment
- ID windows act as marking template for cutting hole in wallboard
- Includes ID designation window for each wallplate
- Patented Design (US Patent 7468487)
- Compatible with all individual QuickPort connectors
- Individual port configurability allows specification flexibility

DESIGN CONSIDERATIONS

- Matches Leviton standard wallplate dimension
- Use blanks (41084-BxB) in unused ports for future expansion
- To identify ports, use different colored connectors for each application or Leviton pre-printed Port Designation Labels (41080-LEB)

STANDARDS COMPLIANCE

- cULus Listed (UL 1863 & CAN/CSA-C22.2 No. 182.4)
- ANSI/TIA-568-C.0

PHYSICAL SPECIFICATIONS

Dimensions: See page two
Materials: High-impact, fire-retardant plastic rated UL 94V-0
Capacity: Available in 2 or 4 ports
Mounting: Screws

COUNTRY OF ORIGIN

USA

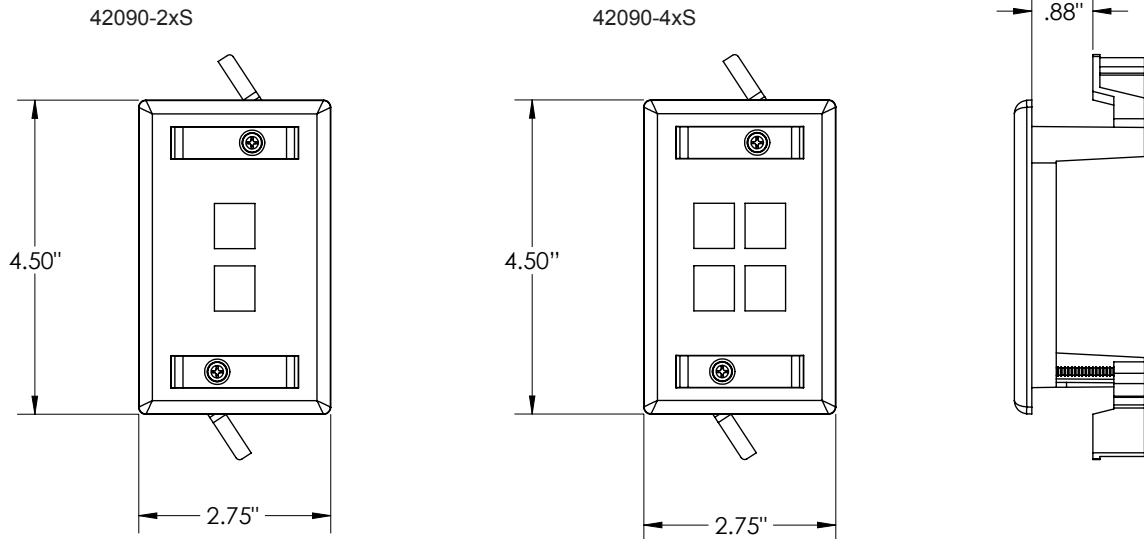
WARRANTY INFORMATION

For a copy of Leviton product warranties, visit www.leviton.com/warranty.

42090-xxS

ELECTRONIC FILES

For CAD files, typical specs, or technical drawings (.DXF, .DWG), visit www.leviton.com.



42090-xxS

PART NUMBERS

Description	White	Lt. Almond	Ivory	Grey	Black
Single-Gang QuickPlate® Tempo Wallplate with ID Windows, 2 ports	42090-2WS	42090-2TS	42090-2IS	42090-2GS	42090-2ES
Single-Gang QuickPlate® Tempo Wallplate with ID Windows, 4 ports	42090-4WS	42090-4TS	42090-4IS	42090-4GS	42090-4ES



Leviton Network Solutions
2222 - 222nd St. SE
Bothell, WA 98021-4416

Asia / Pacific
T +1.631.812.6228
E infoasean@leviton.com

Canada
T +1.514.954.1840
E pcservice@leviton.com

Caribbean
T +1.954.593.1896
E infocaribbean@leviton.com

China
T +852.2774.9876
E infochina@leviton.com

Colombia
T +57.1.743.6045
E infocolombia@leviton.com

tel 1-800-824-3005
tel +1-425-486-2222
appeng@leviton.com
www.leviton.com

Europe
T +33.6.8869.1380
E infoeurope@leviton.com

India / SAARC
T +971.4.886.4722
E infoindia@leviton.com

Mexico
T +52.55.5082.1040
E lsamarketing@leviton.com

Middle East & Africa
T +971.4.886.4722
E lmeinfo@leviton.com

South Korea
T +82.2.3273.9963
E infokorea@leviton.com