

Atlas-X1™ Cat 6A Component-Rated Shielded QuickPort® Connector

APPLICATION

The Atlas-X1 Cat 6A Component-Rated Shielded QuickPort Connector supports 10GBASE-T networks. The shielded connector provides superior alien crosstalk (AXT) suppression and protects critical data from potential EMI/RFI (electromagnetic interference/radio frequency interference). The connector is part of a complete Atlas-X1 Cat 6A shielded system ideal for government, healthcare, manufacturing, transportation, gaming, and other environments where EMI/RFI and/or security may be a concern.



SPECIFICATION

The shielded connector shall meet or exceed all requirements for Category 6A as described in ANSI/TIA-568-C.2, as well as Class E_A requirements as described in ISO/IEC 11801. The connector shall comply with all National Electrical Codes, be compliant with ANSI/TIA-1096-A, be UL listed, and be independently verified. The connector shall be encased in a die-cast housing to protect from potential EMI/RFI. The connector shall support tool-free termination/re-termination and shall not require a specialized termination tool. The connector wiring shall be universal to accommodate T568A and T568B wiring schemes. The connector shall be available in 13 colors; more than established by the ANSI/TIA-606 standard. The connector shall be supplied with interchangeable icons, and be offered with internal shutter and standard styles. The connector shall be supplied with interchangeable icons, and be offered in shuttered and standard styles. It shall support Power over Ethernet up to 100 watts.

DESIGN CONSIDERATIONS

- Fits most QuickPort applications in patch panels, faceplates, and surface-mount boxes
- Can be used to terminate all types of shielded cable
- To identify ports, use different colored modules and icons (13 ANSI/TIA-606 compatible colors)
- Robust housing and internal shutter protects the connector in harsh environments

FEATURES

- Independently tested and guaranteed to exceed all component, permanent link, and channel margins
- Patented Retention Force Technology (RFT) protects against time damage and increases system longevity
- For Power over Ethernet, RFT maintains contact force between plug and connector, preventing arcing from intermittent disconnects
- Shielding provides EMI/RFI protection, signal isolation, and excellent alien crosstalk (AXT) suppression
- Unique design supports tool-free termination/re-termination and requires no specialized termination tool
- Short connector design supports a wider range of applications (e.g. shallow boxes, enclosures, bend radius, etc.)
- Terminates from 26 to 22-gauge solid or stranded conductors for use on various cable types
- Robust IDCs can withstand 20 re-termination cycles and connector contacts are tested for 750 plug-mating cycles to ensure system longevity
- Available in 13 ANSI/TIA-606-B compatible colors
- Connector supplied with interchangeable icons (voice, data, A/V, and blank, color coded to match the connector face) for easy identification and tracking of data, voice, or other functions
- Connector with internal shutter protects against dust and debris
- Solid metal body dissipates 53% more heat than traditional plastic, minimizing damage from excess heat in PoE applications
- Tine geometry prevents arcing damage where plug and connector make contact

STANDARDS COMPLIANCE

- ANSI/TIA-568-C.2 (Cat 6A)
- ISO/IEC 11801 Class E_A
- cULus Listed
- RoHS 2
- UL 2043 Plenum Certified
- IEC 60603-7 (includes IEC 60512-5-2)
- IEC 60512-99-001 (includes IEC 60512-9-3)
- ANSI/TIA-1096-A (formerly FCC Part 68)
- IEEE 802.3at (Type 1) PoE up to 15.4 watts
- IEEE 802.3at (Type 2) PoE+ up to 30 watts
- IEEE Draft 802.3bt (Type 3) PoE+ up to 60 watts
- IEEE Draft 802.3bt (Type 4) PoE+ up to 100 watts
- Cisco Universal Power Over Ethernet (UPOE) up to 60 watts
- Power over HDBaseT™ (POH) up to 100 watts

PHYSICAL SPECIFICATIONS

Dimensions: See page two
 Materials: **Connector Body:** Die-cast zinc
Spring-Wire Contacts: High-quality, copper-based alloy, plated with 50 micro-inches of gold for lowest contact resistance and maximum life
 Environmental Conditions: **Storage Temperature:** -40 °C to +70 °C
Operating Temperature: -10 °C to +60 °C

6ASJK-xx6, ICONS-ICx

Leviton Network Solutions 2222 - 222nd St. SE Bothell, WA 98021-4416 tel 1-800-824-3005 tel +1-425-486-2222 appeng@leviton.com www.leviton.com	Asia / Pacific T +1.631.812.6228 E infoasean@leviton.com	Canada T +1.514.954.1840 E pcservice@leviton.com	Caribbean T +1.954.593.1896 E infocaribbean@leviton.com	China T +852.2774.9876 E infochina@leviton.com	Colombia T +57.1.743.6045 E infocolombia@leviton.com
	Europe T +44.0.1592.772124 E customerservice@brand-rex.com	India / SAARC T +971.4.886.4722 E infoindia@leviton.com	Mexico T +52.55.5082.1040 E lsamarketing@leviton.com	Middle East & Africa T +971.4.886.4722 E lmeinfo@leviton.com	South Korea T +82.2.3273.9963 E infokorea@leviton.com

COUNTRY OF ORIGIN

USA

WARRANTY INFORMATION

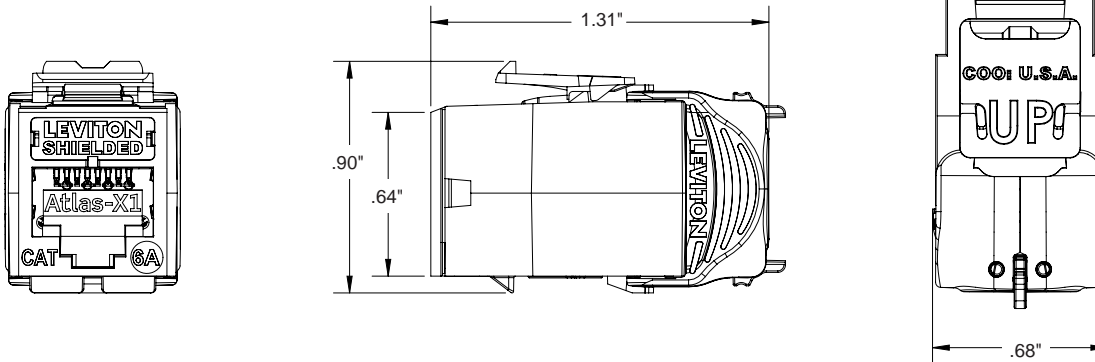
Limited Product and Limited Extended Warranties are rendered VOID if the installed structured cabling system is used for PoE applications that exceed the product's specified power rating.

For a copy of Leviton product warranties, visit www.leviton.com/warranty.

ELECTRONIC FILES

For CAD files, typical specs, or technical drawings (.DXF, .DWG), visit www.leviton.com.

6ASJK-xx6, ICONS-ICx



PART NUMBERS

Description	Standard Connector	Connector w/ Internal Shutters
Atlas-X1™ Cat 6A Component-Rated Shielded QuickPort® Connector, white	6ASJK-RW6	6ASJK-SW6
Atlas-X1 Cat 6A Component-Rated Shielded QuickPort Connector, light almond	6ASJK-RT6	6ASJK-ST6
Atlas-X1 Cat 6A Component-Rated Shielded QuickPort Connector, ivory	6ASJK-RI6	6ASJK-SI6
Atlas-X1 Cat 6A Component-Rated Shielded QuickPort Connector, yellow	6ASJK-RY6	6ASJK-SY6
Atlas-X1 Cat 6A Component-Rated Shielded QuickPort Connector, orange	6ASJK-RO6	6ASJK-SO6
Atlas-X1 Cat 6A Component-Rated Shielded QuickPort Connector, crimson	6ASJK-RC6	6ASJK-SC6
Atlas-X1 Cat 6A Component-Rated Shielded QuickPort Connector, dark red	6ASJK-RR6	6ASJK-SR6
Atlas-X1 Cat 6A Component-Rated Shielded QuickPort Connector, purple	6ASJK-RP6	6ASJK-SP6
Atlas-X1 Cat 6A Component-Rated Shielded QuickPort Connector, blue	6ASJK-RL6	6ASJK-SL6
Atlas-X1 Cat 6A Component-Rated Shielded QuickPort Connector, green	6ASJK-RV6	6ASJK-SV6
Atlas-X1 Cat 6A Component-Rated Shielded QuickPort Connector, grey	6ASJK-RG6	6ASJK-SG6
Atlas-X1 Cat 6A Component-Rated Shielded QuickPort Connector, black	6ASJK-RE6	6ASJK-SE6
Atlas-X1 Cat 6A Component-Rated Shielded QuickPort Connector, brown	6ASJK-RB6	6ASJK-SB6

Color-matched icons (ICONS-ICx) can be ordered separately in 72-quantity packs.

Bulk wire managers (AXSJK-BGM) can be ordered separately in 10-quantity packs.

x = color



Leviton Network Solutions

2222 - 222nd St. SE
Bothell, WA 98021-4416

Asia / Pacific
T +1.631.812.6228
E infoasean@leviton.com

Canada
T +1.514.954.1840
E pcservice@leviton.com

Caribbean
T +1.954.593.1896
E infocaribbean@leviton.com

China
T +852.2774.9876
E infochina@leviton.com

Colombia
T +57.1.743.6045
E infocolombia@leviton.com

tel 1-800-824-3005
tel +1-425-486-2222
appeng@leviton.com
www.leviton.com

Europe
T +44.0.1592.772124
E customerservice@brand-rex.com

India / SAARC
T +971.4.886.4722
E infoindia@leviton.com

Mexico
T +52.55.5082.1040
E lsamarketing@leviton.com

Middle East & Africa
T +971.4.886.4722
E lmeinfo@leviton.com

South Korea
T +82.2.3273.9963
E infokorea@leviton.com