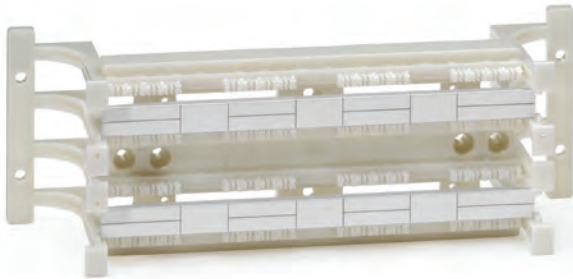


Cat 6A 110-Style Wiring Block

APPLICATION

The Leviton Cat 6A 110-Style Block provides a centralized location to easily terminate 22-26 gauge solid copper wire for telephone, voice, and data applications. The block meets Category 6A component requirements.



SPECIFICATION

The cross-connect shall be Category 6A 110-style wiring bases, available for wall mount. They shall provide 110 terminations supporting voice, data, video, and Category 6A data applications, including high megabit and shared-sheath applications when used with Category 6A rated cabling. The components shall be UL listed and ANSI/TIA-568-C.2 compliant. Bases shall support 64-pair densities with provision for ANSI/TIA-606-A compliant labeling. Plastic bases and blocks must be made of fire-retardant plastic rated UL 94V-0.

FEATURES

- Supports high-frequency data signals up to 500 MHz
- Can be used as a consolidation point (CP) in a TIA defined 90 meter permanent link
- Designed to mitigate alien crosstalk (AXT)
- Independently tested and verified by Intertek (ETL) to meet all TIA link and channel requirements
- Available in 64-pair wall-mount block

DESIGN CONSIDERATIONS

- Use where space limitations and low cost are factors
- Includes labels, label holders, and Category 6A C-4 clips
- Port ID options: Use the label strips and holders provided

STANDARDS COMPLIANCE

Meets or exceeds all applicable standards: UL listed components; complies with ANSI/TIA-568-C.2 component requirements; and supports emerging PoE standards such as the draft IEEE 802.3bt, including 100 watts

PHYSICAL SPECIFICATIONS

Dimensions: See page two

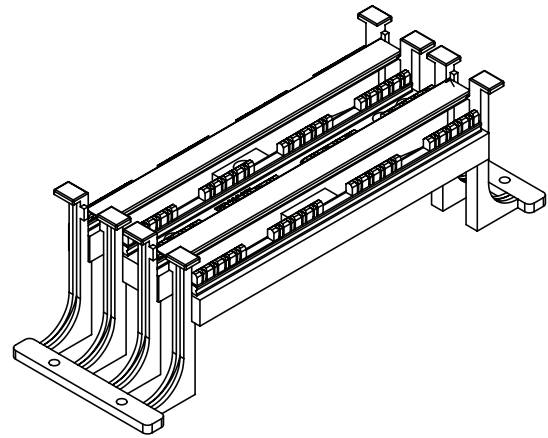
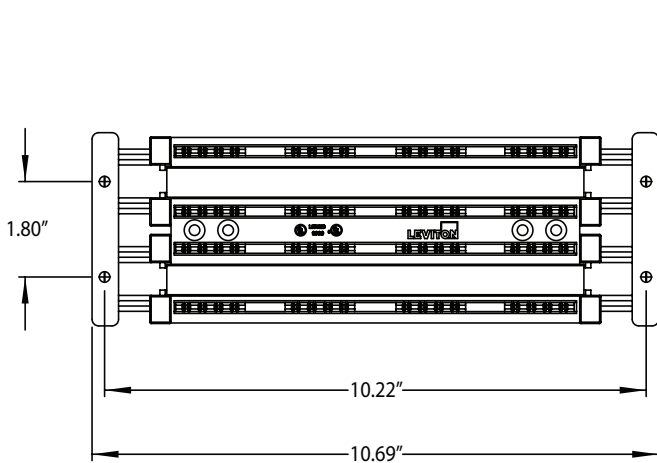
Materials: 110 wiring bases are made of fire-retardant plastic rated UL 94V-0; C-4 clips are made of fire-retardant plastic rated UL 94V-0 with solder plated IDCs

WARRANTY INFORMATION

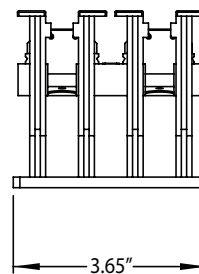
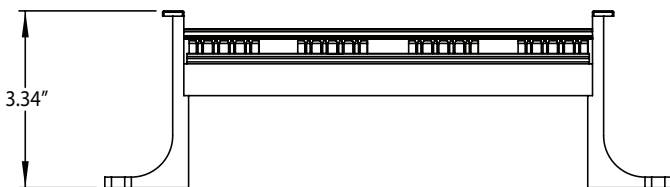
For a copy of Leviton product warranties, visit www.leviton.com/warranty.

ELECTRONIC FILES

For CAD files, typical specs, or technical drawings (.DXF, .DWG), visit www.leviton.com.



41D6A-1F4



PART NUMBERS

Description

Part No.

Cat 6A 110-Style Wiring Block, wall mount w/ legs and C-4 clips*

41D6A-1F4

*Note: Standoff legs are not removable



Leviton Network Solutions
2222 - 222nd St. SE
Bothell, WA 98021-4416

Asia / Pacific
T +1.631.812.6228
E infoasean@leviton.com

Canada
T +1.514.954.1840
E pcservice@leviton.com

Caribbean
T +1.954.593.1896
E infocaribbean@leviton.com

China
T +852.2774.9876
E infochina@leviton.com

Colombia
T +57.1.743.6045
E infocolombia@leviton.com

tel 1-800-824-3005
tel +1-425-486-2222
appeng@leviton.com
www.leviton.com

Europe
T +33.6.8869.1380
E infoeurope@leviton.com

India / SAARC
T +971.4.886.4722
E infoindia@leviton.com

Mexico
T +52.55.5082.1040
E lsamarketing@leviton.com

Middle East & Africa
T +971.4.886.4722
E lmeinfo@leviton.com

South Korea
T +82.2.3273.9963
E infokorea@leviton.com