

## Fiber Raceway Solid and Slotted Ducting

Fiber Raceway Solid and Slotted Ducting

### APPLICATION

Fiber Raceway Solid and Slotted Ducting is designed to route, protect and support cables throughout fiber systems. In addition, raceway can be utilized to support copper systems. Slotted Ducting is ideal for carrying a high volume of cables that need to exit at multiple locations.

### FEATURES

- Solid Ducting available in five sizes
  - 2" x 2"
  - 2" x 4"
  - 4" x 4"
  - 4" x 8"
  - 4" x 12"
- Slotted Ducting available in two sizes
  - 2" x 2"
  - 4" x 4"
- Safely stores and routes optical fiber in an indoor environment.
- Ducting and covers are 6.5 feet long and can be hand cut to meet exact specifications.
- Lids for 2" x 2" Slotted Ducting are pre-cut into 10" sections before shipping. All other lids are shipped in 6.5' lengths.
- Two ducting styles available: Solid wall or slotted for exiting fibers.
- Snap-on Covers and Hinged Covers available for solid wall duct and Slotted duct.
- Bend Radius Guides available as necessary to safely route fiber as it exits from the Slotted duct.

### STANDARDS COMPLIANCE

UL 94 V-0 Material Rating for Flammability  
Meets NEBS GR-63-CORE\*  
UL 2024A Optical Fiber Raceway, Riser Rated

### PHYSICAL SPECIFICATIONS

**Color:** See page two  
**Material:** Noryl Plastic  
**Dimensions:** See page two



### DESIGN CONSIDERATIONS

- Manufactured of Noryl plastic; a non-halogen, fire retardant material.
- Mounts above equipment rack, below floor, suspended, or wall mount.
- Available in single quantities or bulk packs.
- May be utilized to store and route copper cable in an indoor environment. It is recommended that fiber and copper be stored in separate systems.

### WARRANTY INFORMATION

For a copy of Leviton product warranties, visit [www.leviton.com](http://www.leviton.com).

### TYPICAL SPECIFICATION

Solid and slotted ducting shall route, protect, and support cables throughout fiber systems. Ducting shall protect fiber and maintain proper bend radius. Components shall be UL rated and manufactured of fire retardant material. Ducting shall be mountable above equipment rack, below floor, suspended, or on a wall. The system shall be highly adaptable to support multiple network configurations and be expandable for future configurations.

### ELECTRONIC FILES

For CAD files, Typical Specs, or Dimensional Line Art (.DXF, .DWG, MS-DOS.eps or .TXT), visit [www.leviton.com](http://www.leviton.com).

DUCT DIMENSIONS					
DESCRIPTION	2" x 2"	2" x 4"	4" x 4"	4" x 8"	4" x 12"
Internal Cross Sectional Area	3.9 in <sup>2</sup>	7.81 in <sup>2</sup>	14.6 in <sup>2</sup>	32.1 in <sup>2</sup>	43.9 in <sup>2</sup>
Patch cord capacity	293	547	1004	2050	3100
Max. Weight Capacity	22 lbs.	44 lbs.	88 lbs.	110 lbs.	126 lbs.

NOTE: Fiber capacities listed are maximum quantities and are based off of cable that is 3.0mm in diameter. It is recommended that duct be filled to about 50% of its depth with optical fiber to avoid crushing or placing excessive stress on the fiber patch cord.

\*Testing conducted by an accredited third party



For Technical Support Call 1-425-485-4288; in USA call 1-800-824-3005  
Spec sheets and updates are also available at [www.leviton.com](http://www.leviton.com)



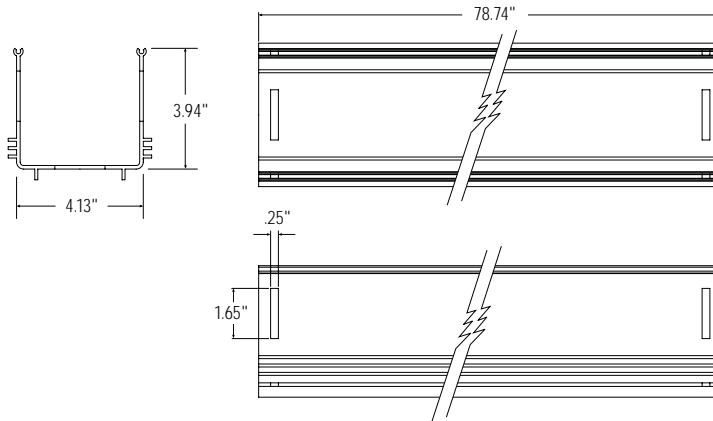
# Fiber Raceway Solid and Slotted Ducting

Part Number  
SXDCT-XXX

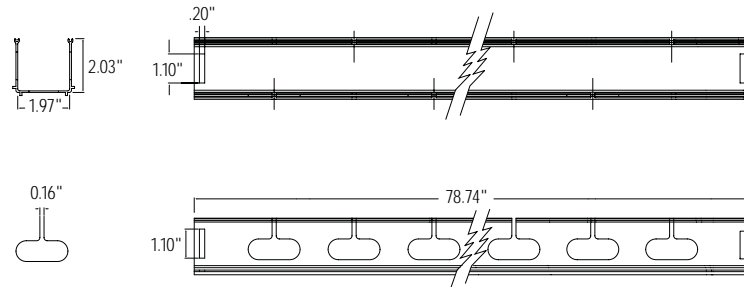
## DIMENSIONAL LINE ART

See ELECTRONIC FILES for CAD images (.DXF, .DWG, MS-DOS.EPS)

Pictured:  
S4DCT-SDT



Pictured:  
S2DCT-DSL



NOTE: Illustrations not to scale

NOTE: Standard color is yellow. For other colors, replace "S" as the first letter of the part number with O (orange), E, (black), or G (grey). Please contact customer service for pricing and availability of non-standard colors.

DUCTING					
Description	2" x 2"	2" x 4"	4" X 4"	4" x 8"	4" x 12"
Solid Duct	S2DCT-SDT	SLDCT-SDT	S4DCT-SDT	S8DCT-SDT	SWDCT-SDT
Solid Duct & Cover	S2DCT-SDC	SLDCT-SDC	S4DCT-SDC	S8DCT-SDC	SWDCT-SDC
Solid Duct & Hinged Cover	S2DCT-DHC	SLDCT-DHC	S4DCT-DHC	S8DCT-DHC	
Slotted Duct	S2DCT-DSL		S4DCT-DSL		
Slotted Duct & Cover	S2DCT-DCS		S4DCT-DCS		
Slotted Duct & Hinged Cover			S4DCT-SHC		

BULK PACK DUCTING					
Description	2" x 2" (5 per carton)	2" x 4" (5 per carton)	4" x 4" (4 per carton)	4" x 8" (4 per carton)	4" x 12" (4 per carton)
Solid Duct	S2DCT-5DT	SLDCT-5DT	S4DCT-4DT	S8DCT-4DT	SWDCT-4DT
Solid Duct & Cover	S2DCT-5DC	SLDCT-5DC	S4DCT-4DC	S8DCT-4DC	SWDCT-4DC
Solid Duct & Hinged Cover	S2DCT-5HC	SLDCT-5HC	S4DCT-4HC	S8DCT-4HC	
Slotted Duct	S2DCT-5SL		S4DCT-4SL		
Slotted Duct & Cover	S2DCT-5CS		S4DCT-4CS		
Slotted Duct & Hinged Cover			S4DCT-SH4		

NOTE: Dimensions are listed as height x width. All measurements reflect an approximate conversion from the Metric system.



For Technical Support – Call 1-425-485-4288; in USA call 1-800-722-2082  
Spec sheets and updates are also available at [www.leviton.com](http://www.leviton.com)



# Fiber Raceway Solid and Slotted Ducting

Part Number  
SXDCT-XXX

NOTE: Standard color is yellow. For other colors, replace "S" as the first letter of the part number with O (orange), E, (black), or G (grey). Please contact customer service for pricing and availability of non-standard colors.

ACCESSORIES					
Description	2" x 2"	2" x 4"	4" X 4"	4" x 8"	4" x 12"
Radius Guide (10 Packs fit slotted duct)	SRAGD-SLT	SLEND-CAP	SRAGD-SLT		
Joiner	S2JNR-SLT		S4JNR-SLT	S8JNR-SLT	
Slotless Joiner			S4JNR-SLS	S8JNR-SLS	SWJNR-SLS

END CAPS					
Description	2" x 2"	2" x 4"	4" x 4"	4" x 8"	4" x 12"
End Cap		SLEND-CAP	S4END-CAP	S8END-CAP	
End Cap Slotless			S4END-CSL	S8END-CSL	SWEND-CSL
End Cap - 2" x .75" Diameter Knockout	S2END-20D				
End Cap - 1" x 1.5" Diameter Knockout	S2END-38D				
End Cap - 1" x 1.5" Hole	S2END-38H				
End Cap - Tube Outlet for 2" Tube	S2END-OUT				
End Cap - 2" x 1.25" Diameter Knockout			S4END-32D		
End Cap - 2" x 1.75" Diameter Knockout			S4END-46D		
End Cap (Affix to Top of Cabinet)			S4END-CAB		

NOTE: Dimensions are listed as height x width. All measurements reflect an approximate conversion from the Metric system.

TOOLS & MOUNTING HARDWARE	
Description	Part No.
Mitre Box Duct (for use with 2" x 2" ducts)	SMTRE-050
Mitre Box Duct Kit (for use with 2" x 4", 4" x 4", 4" x 8", and 4" x 12" ducts)	SMTRE-300
2" x 4" End Slot Cut Out Tool (for 2"x4" ducts that requires end slots)*	SSL0T-100
4" and 8" End Slot Cut Out Tool (for 4"x4" & 4"x8" duct)	SSL0T-200
2" x 2" Side Cut-Out Tool Kit (prepares duct for 2"x2" Side Drop Off Kit)	S2CUT-TOL
2" x 4" and 4" x 4" Side Cut-Out Tool (use with 2"x4" or 4"x4" Side Drop-Off Kit)	S4CUT-TOL
2" x 2" Duct Mounting Bracket	S2DMB-000
2" x 4" and 4" x 4" Duct Mounting Bracket	S4DMB-000
4" x 8" Duct Mounting Bracket	S8DMB-000
4" x 12" Duct Mounting Bracket	SWDMB-000
2" x 2" Ladder Rack (or Unistrut) Mounting Kit	S1LRU-000
2" x 4" and 4" x 4" Ladder Rack (or Unistrut) Mounting Kit	S4LRU-000
4" x 8" Ladder Rack (or Unistrut) Mounting Kit	S8LRU-000
4" x 8" Ladder Rack (or Unistrut) Mounting Kit (Heavy Duty for Over Capacity)	S8LRU-000
4" x 12" Ladder Rack (or Unistrut) Mounting Kit	SWLRU-000
4" x 4" Suspension Kit (install from ceiling)	S4SUS-KIT
4" x 8" Suspension Kit w/Rod (install from ceiling)	S8SUS-KIT
4" x 12" Suspension Kit w/Rod (install from ceiling)	SWSUS-KIT
4" x 12" Suspension Kit w/o Rod (install from ceiling)	SWSUS-WRD
2" x 4" and 4" x 4" Duct Mounting Kit (install on wall)	S4MNT-KIT
4" x 8" Duct Mounting Kit (install on wall)	S8MNT-KIT
4" x 4" Extended Ladder Rack (or Unistrut) Mounting Kit	S4EXT-KIT
4" x 8" Extended Ladder Rack (or Unistrut) Mounting Kit	S8EXT-KIT
2" x 2" Raised Mounting Kit (install on top of cabinet)	S1RMK-000
2" x 4" and 4" x 4" Raised Mounting Kit (install on top of cabinet)	S4RMK-000
4" x 8" Raised Mounting Kit (install on top of cabinet)	S8RMK-000
4" x 12" Raised Mounting Kit (install on top of cabinet)	SWRMK-000
4" x 12" Side Mount Bracket (install on 5/8" Threaded Rod)	SMHOO-SMB
2" Unistrut Bracket (for use with 4" x 4", 4" x 8", and 4" x 12" ducting)	SBRCK-000
Under Floor Mounting Bracket (install on concrete floor)	SUFMK-000
Under Floor to Concrete Mounting Kit	SUCFM-000

\*NOTE: Must also order SSL0T-200 for 2"x4" duct.



For Technical Support Call 1-425-485-4288; in USA call 1-800-824-3005  
Spec sheets and updates are also available at [www.leviton.com](http://www.leviton.com)



2222 - 222nd St. SE • Bothell, WA 98021 USA • Tel: 1-800-722-2082 / 1-425-485-4288 • Fax: 1-425-483-5270 • Int'l Fax: 1-425-485-9170 • GSA Schedule Available