

Fiber Raceway Horizontal and Vertical Elbows

APPLICATION

Fiber Raceway Horizontal and Vertical Elbows provide a method of diverting the raceway path around objects or extend the fiber route in various directions.

FEATURES

- Elbows are available in five sizes
 - 2" x 2"
 - 2" x 4"
 - 4" x 4"
 - 4" x 8"
 - 4" x 12"
- Provide bend options at 30°, 45° or 90° angles.
- Available with or without covers.
- **Horizontal Elbows:**
 - Extend the duct path in various directions.
 - 4" x 8" size has channel separation to organize large quantities of fibers while maintaining bend radius control.
- **Vertical Elbows:**
 - Retrofit Covers available to allow for easy addition of new fibers.
 - Can be used as a drop point when attached to the open end of ducting.
 - Routes the direction of the fiber path either up or down.

STANDARDS COMPLIANCE

UL 94 V-0 Material Rating for Flammability
Meets NEBS GR-63-CORE*
UL 2024A Optical Fiber Raceway, Riser Rated

PHYSICAL SPECIFICATIONS

Color: See page two
Material: Noryl Plastic
Dimensions: See page two



DESIGN CONSIDERATIONS

- Redirects ducting while maintaining proper bend radius control.
- Manufactured of a fire retardant plastic that is halogen free.
- May be utilized to store and route copper cable in an indoor environment. It is recommended that fiber and copper be stored in separate systems.
- The 4" x 12" component does not contain end slots and should be used in conjunction with the Slotless Joiner.

WARRANTY INFORMATION

For a copy of Leviton product warranties, visit www.leviton.com.

TYPICAL SPECIFICATION

Horizontal and Vertical Elbows shall be used to divert the raceway path around objects or extend the fiber route in various directions. Horizontal and Vertical Elbows shall protect fiber and help maintain proper bend radius. Components shall be UL rated and manufactured of fire retardant materials. Horizontal and Vertical Elbows shall facilitate multiple network configurations and be expandable to support future configurations.

ELECTRONIC FILES

For CAD files, Typical Specs, or Dimensional Line Art (.DXF, .DWG, MS-DOS.eps or .TXT), visit www.leviton.com.

*Testing conducted by an accredited third party



For Technical Support Call 1-425-485-4288; in USA call 1-800-824-3005.
Spec sheets and updates are also available at www.leviton.com.

2222 – 222nd St. SE • Bothell, WA 98021 USA
Tel: 1-800-722-2082 / 1-425-485-4288 • Fax: 1-425-483-5270 • Int'l Fax: 1-425-485-9170 • GSA Schedule Available.

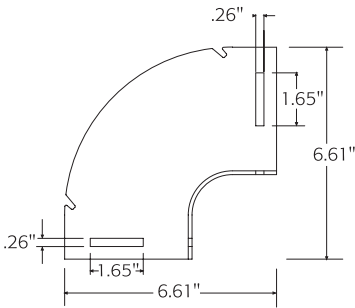
Fiber Raceway Horizontal and Vertical Elbows

Part Numbers
SXVEL-XXX, SXHEL-XXX,
SXJNR-SLX
.....

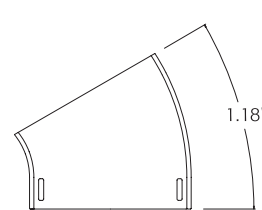
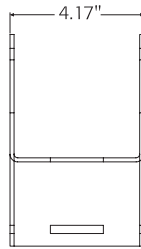
DIMENSIONAL LINE ART

For Dimensional Line Art (.DXF, .DWG, MS-DOS.eps or .TXT), log on to www.leviton.com.

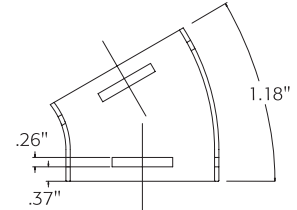
NOTE: Standard color is yellow. For other colors, replace "S" as the first letter of the part number with O (orange), E, (black), or G (grey). Please contact customer service for pricing and availability of non-standard colors.



Pictured: S4VEL-90D (90° Angle)



Pictured: S4HEL-3DC (30° Angle)



VERTICAL ELBOWS					
Description	2" x 2"	2" x 4"	4" X 4"	4" x 8"	4" x 12"
Vertical Elbow 30 Deg Down	S2VEL-30D		S4VEL-30D	S8VEL-30D	
Vertical Elbow 30 Deg Down & Cover	S2VEL-3DC		S4VEL-3DC	S8VEL-3DC	
Vertical Elbow 30 Deg Down Retrofit			S4VEL-3DR	S8VEL-3DR	
Vertical Elbow 30 Deg Up			S4VEL-30U	S8VEL-30U	
Vertical Elbow 30 Deg Up & Cover			S4VEL-3UC	S8VEL-3UC	
Vertical Elbow 30 Deg Up Retrofit			S4VEL-3UR	S8VEL-3UR	
Vertical Elbow 45 Deg Down	S2VEL-45D		S4VEL-45D	S8VEL-45D	SWVEL-45D
Vertical Elbow 45 Down & Cover	S2VEL-4DC		S4VEL-4DC	S8VEL-4DC	SWVEL-4DC
Vertical Elbow 45 Down Retrofit			S4VEL-4DR	S8VEL-4DR	
Vertical Elbow 45 Deg Up			S4VEL-45U		SWVEL-45U
Vertical Elbow 45 Deg Up & Cover	S2VEL-4UC		S4VEL-4UC	S8VEL-4UC	SWVEL-4UC
Vertical Elbow 45 Deg Up Retrofit			S4VEL-4UR	S8VEL-4UR	
Vertical Elbow 90 Deg Down	S2VEL-90D	SLVEL-90D	S4VEL-90D	S8VEL-90D	SWVEL-90D
Vertical Elbow 90 Deg Down & Cover	S2VEL-9DC	SLVEL-9DC	S4VEL-9DC	S8VEL-9DC	SWVEL-9DC
Vertical Elbow 90 Deg Down Retrofit		SLVEL-9DR	S4VEL-9DR	S8VEL-9DR	
Vertical Elbow 90 Deg Up	S2VEL-90U	SLVEL-90U	S4VEL-90U	S8VEL-90U	SWVEL-90U
Vertical Elbow 90 Deg Up & Cover	S2VEL-9UC	SLVEL-9UC	S4VEL-9UC	S8VEL-9UC	SWVEL-9UC
Vertical Elbow 90 Deg Up Retrofit	S2VEL-9UR	SLVEL-9UR	S4VEL-9UR	S8VEL-9UR	
Vertical Elbow 90 Deg Up & Down Enclosed			S4VEL-9UD	S8VEL-9UD	

HORIZONTAL ELBOWS					
Description	2" x 2"	2" x 4"	4" X 4"	4" x 8"	4" x 12"
Horizontal Elbow 30 Deg	S2HEL-30D		S4HEL-30D	S8HEL-30D	
Horizontal Elbow 30 Deg & Cover	S2HEL-3DC		S4HEL-3DC	S8HEL-3DC	
Horizontal Elbow 45 Deg	S2HEL-45D		S4HEL-45D	S8HEL-45D	SWHEL-45D
Horizontal Elbow 45 Deg & Cover	2HEL-4DC		S4HEL-4DC	S8HEL-4DC	SWHEL-4DC
Horizontal Elbow 90 Deg	S2HEL-90D	SLHEL-90D	S4HEL-90D	S4HEL-90D	
Horizontal Elbow 90 Deg & Cover	S2HEL-9DC	SLHEL-9DC	S4HEL-9DC	S8HEL-9DC	SWHEL-9DC

ACCESSORIES:

JOINERS					
Description	2" x 2"	2" x 4"	4" X 4"	4" x 8"	4" x 12"
Joiner	S2JNR-SLT	SLJNR-SLT	S4JNR-SLT	S8JNR-SLT	
Slotless Joiner			S4JNR-SLS	S8JNR-SLS	SWJNR-SLS

NOTE: Dimensions are listed as height x width. All measurements reflect an approximate conversion from the Metric system.



For Technical Support Call 1-425-485-4288; in USA call 1-800-824-3005.
Spec sheets and updates are also available at www.leviton.com.



2222 - 222nd St. SE • Bothell, WA 98021 USA • Tel: 1-800-722-2082 / 1-425-485-4288 • Fax: 1-425-483-5270 • Int'l Fax: 1-425-485-9170 • GSA Schedule Available.