

Fiber Raceway Horizontal and Vertical Elbows

APPLICATION

Fiber Raceway Horizontal and Vertical Elbows provide a method of diverting the raceway path around objects or extend the fiber route in various directions.

FEATURES

- Elbows are available in five sizes
 - 2" x 2"
 - 2" x 4"
 - 4" x 4"
 - 4" x 8"
 - 4" x 12"
- Provide bend options at 30°, 45° or 90° angles.
- Available with or without covers.
- **Horizontal Elbows:**
 - Extend the duct path in various directions.
 - 4" x 8" size has channel separation to organize large quantities of fibers while maintaining bend radius control.
- **Vertical Elbows:**
 - Retrofit Covers available to allow for easy addition of new fibers.
 - Can be used as a drop point when attached to the open end of ducting.
 - Routes the direction of the fiber path either up or down.

STANDARDS COMPLIANCE

UL 94 V-0 Material Rating for Flammability
Meets NEBS GR-63-CORE*
UL 2024A Optical Fiber Raceway, Riser Rated

PHYSICAL SPECIFICATIONS

Color: See page two
Material: Noryl Plastic
Dimensions: See page two



DESIGN CONSIDERATIONS

- Redirects ducting while maintaining proper bend radius control.
- Manufactured of a fire retardant plastic that is halogen free.
- May be utilized to store and route copper cable in an indoor environment. It is recommended that fiber and copper be stored in separate systems.
- The 4" x 12" component does not contain end slots and should be used in conjunction with the Slotless Joiner.

WARRANTY INFORMATION

For a copy of Leviton product warranties, visit www.leviton.com.

TYPICAL SPECIFICATION

Horizontal and Vertical Elbows shall be used to divert the raceway path around objects or extend the fiber route in various directions. Horizontal and Vertical Elbows shall protect fiber and help maintain proper bend radius. Components shall be UL rated and manufactured of fire retardant materials. Horizontal and Vertical Elbows shall facilitate multiple network configurations and be expandable to support future configurations.

ELECTRONIC FILES

For CAD files, Typical Specs, or Dimensional Line Art (.DXF, .DWG, MS-DOS.eps or .TXT), visit www.leviton.com.

Fiber Raceway Horizontal and Vertical Elbows

*Testing conducted by an accredited third party



For Technical Support Call 1-425-485-4288; in USA call 1-800-824-3005.
Spec sheets and updates are also available at www.leviton.com.

2222 – 222nd St. SE • Bothell, WA 98021 USA
Tel: 1-800-722-2082 / 1-425-485-4288 • Fax: 1-425-483-5270 • Int'l Fax: 1-425-485-9170 • GSA Schedule Available.



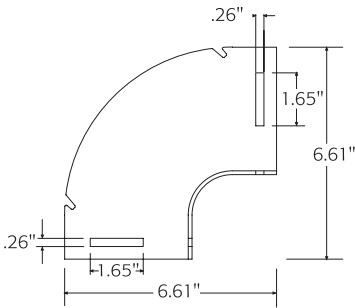
Fiber Raceway Horizontal and Vertical Elbows

Part Numbers
SXVEL-XXX, SXHEL-XXX,
SXJNR-SLX

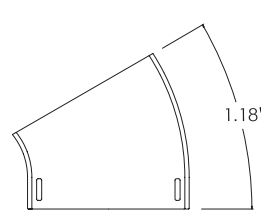
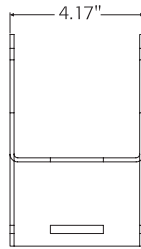
DIMENSIONAL LINE ART

For Dimensional Line Art (.DXF, .DWG, MS-DOS.eps or .TXT), log on to www.leviton.com.

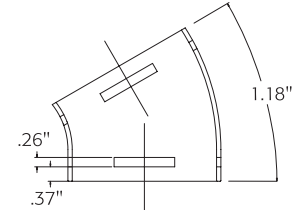
NOTE: Standard color is yellow. For other colors, replace "S" as the first letter of the part number with O (orange), E, (black), or G (grey). Please contact customer service for pricing and availability of non-standard colors.



Pictured: S4VEL-90D (90° Angle)



Pictured: S4HEL-3DC (30° Angle)



| VERTICAL ELBOWS | | | | | |
|------------------------------------------|-----------|-----------|-----------|-----------|-----------|
| Description | 2" x 2" | 2" x 4" | 4" X 4" | 4" x 8" | 4" x 12" |
| Vertical Elbow 30 Deg Down | S2VEL-30D | | S4VEL-30D | S8VEL-30D | |
| Vertical Elbow 30 Deg Down & Cover | S2VEL-3DC | | S4VEL-3DC | S8VEL-3DC | |
| Vertical Elbow 30 Deg Down Retrofit | | | S4VEL-3DR | S8VEL-3DR | |
| Vertical Elbow 30 Deg Up | | | S4VEL-30U | S8VEL-30U | |
| Vertical Elbow 30 Deg Up & Cover | | | S4VEL-3UC | S8VEL-3UC | |
| Vertical Elbow 30 Deg Up Retrofit | | | S4VEL-3UR | S8VEL-3UR | |
| Vertical Elbow 45 Deg Down | S2VEL-45D | | S4VEL-45D | S8VEL-45D | SWVEL-45D |
| Vertical Elbow 45 Down & Cover | S2VEL-4DC | | S4VEL-4DC | S8VEL-4DC | SWVEL-4DC |
| Vertical Elbow 45 Down Retrofit | | | S4VEL-4DR | S8VEL-4DR | |
| Vertical Elbow 45 Deg Up | | | S4VEL-45U | | SWVEL-45U |
| Vertical Elbow 45 Deg Up & Cover | S2VEL-4UC | | S4VEL-4UC | S8VEL-4UC | SWVEL-4UC |
| Vertical Elbow 45 Deg Up Retrofit | | | S4VEL-4UR | S8VEL-4UR | |
| Vertical Elbow 90 Deg Down | S2VEL-90D | SLVEL-90D | S4VEL-90D | S8VEL-90D | SWVEL-90D |
| Vertical Elbow 90 Deg Down & Cover | S2VEL-9DC | SLVEL-9DC | S4VEL-9DC | S8VEL-9DC | SWVEL-9DC |
| Vertical Elbow 90 Deg Down Retrofit | | SLVEL-9DR | S4VEL-9DR | S8VEL-9DR | |
| Vertical Elbow 90 Deg Up | S2VEL-90U | SLVEL-90U | S4VEL-90U | S8VEL-90U | SWVEL-90U |
| Vertical Elbow 90 Deg Up & Cover | S2VEL-9UC | SLVEL-9UC | S4VEL-9UC | S8VEL-9UC | SWVEL-9UC |
| Vertical Elbow 90 Deg Up Retrofit | S2VEL-9UR | SLVEL-9UR | S4VEL-9UR | S8VEL-9UR | |
| Vertical Elbow 90 Deg Up & Down Enclosed | | | S4VEL-9UD | S8VEL-9UD | |

| HORIZONTAL ELBOWS | | | | | |
|---------------------------------|-----------|-----------|-----------|-----------|-----------|
| Description | 2" x 2" | 2" x 4" | 4" X 4" | 4" x 8" | 4" x 12" |
| Horizontal Elbow 30 Deg | S2HEL-30D | | S4HEL-30D | S8HEL-30D | |
| Horizontal Elbow 30 Deg & Cover | S2HEL-3DC | | S4HEL-3DC | S8HEL-3DC | |
| Horizontal Elbow 45 Deg | S2HEL-45D | | S4HEL-45D | S8HEL-45D | SWHEL-45D |
| Horizontal Elbow 45 Deg & Cover | 2HEL-4DC | | S4HEL-4DC | S8HEL-4DC | SWHEL-4DC |
| Horizontal Elbow 90 Deg | S2HEL-90D | SLHEL-90D | S4HEL-90D | S4HEL-90D | |
| Horizontal Elbow 90 Deg & Cover | S2HEL-9DC | SLHEL-9DC | S4HEL-9DC | S8HEL-9DC | SWHEL-9DC |

ACCESSORIES:

| JOINERS | | | | | |
|-----------------|-----------|-----------|-----------|-----------|-----------|
| Description | 2" x 2" | 2" x 4" | 4" X 4" | 4" x 8" | 4" x 12" |
| Joiner | S2JNR-SLT | SLJNR-SLT | S4JNR-SLT | S8JNR-SLT | |
| Slotless Joiner | | | S4JNR-SLS | S8JNR-SLS | SWJNR-SLS |

NOTE: Dimensions are listed as height x width. All measurements reflect an approximate conversion from the Metric system.



For Technical Support Call 1-425-485-4288; in USA call 1-800-824-3005.
Spec sheets and updates are also available at www.leviton.com.



2222 - 222nd St. SE • Bothell, WA 98021 USA • Tel: 1-800-722-2082 / 1-425-485-4288 • Fax: 1-425-483-5270 • Int'l Fax: 1-425-485-9170 • GSA Schedule Available.