

## DuraPort® Industrial Connector Housing

### APPLICATION

DuraPort industrial products provide IP67-class protection to safeguard your connectivity from humidity/moisture, corrosive materials, temperature extremes, and other conditions often found in an industrial environment.



Housing available with black Cat 5e (5G110) connectors, black Cat 6 (61110) connectors, or sold separately.

### SPECIFICATION

Connectors and related components shall be IP67 rated. Connector housing shall be made of PBT, be cULus listed, and be compliant with ANSI/TIA-1005 and ANSI/TIA-568.

### COUNTRY OF ORIGIN

USA

### WARRANTY INFORMATION

For a copy of Leviton product warranties, visit [www.leviton.com/warranty](http://www.leviton.com/warranty).

### FEATURES

- IP67-rated environmental sealing (dust/water protection)
- Encapsulated RJ-45 design protects integral components
- Patented design
- Withstands chemical wash down requirements for disinfection and sterilization in health care facilities, as established by the CDC
- DuraPort products are compatible with Leviton QuickPort® connectors
- Twist-lock design for faster installation and changes
- Available in eXtreme® Cat 5e and Cat 6 performance
- Includes black connector

### DESIGN CONSIDERATIONS

- Uses standard Leviton QuickPort opening to easily replace or upgrade performance without replacing entire outlet
- Mount on PLC enclosures 1.25-inch diameter opening
- Compatible with standard NEMA boxes

### STANDARDS COMPLIANCE

Meets or exceeds all applicable standards: cULus Listed; complies with ANSI/TIA-1005, ANSI/TIA-568. cULus Listed (UL 1863, CAN/CSA-C22.2 No. 182.4-1990).

### PHYSICAL SPECIFICATIONS

- Ingress Protection:** IP67 (dust/water)
- Corrosion:** Resistant to most common chemicals, oils, and cleaning agents
- Temperature:** -40°C to 65°C (-40°F to 149°F)
- Vibration:** Frequency range 10-500Hz  
Acceleration 5g (operational)
- Mating Cycles:** 750 minimum
- Housing:** Polybutylene terephthalate (PBT)

#### Leviton Network Solutions

2222 - 222nd St. SE  
Bothell, WA 98021-4416

tel 1-800-824-3005  
tel +1-425-486-2222  
appeng@leviton.com  
[www.leviton.com](http://www.leviton.com)

#### Asia / Pacific

T +1.631.812.6228  
E infoasean@leviton.com

#### Europe

T +44.0.1592.772124  
E customerservice@brand-rex.com

#### Canada

T +1.514.954.1840  
E pcservice@leviton.com

#### India / SAARC

T +971.4.886.4722  
E infoindia@leviton.com

#### Caribbean

T +1.954.593.1896  
E infocaribbean@leviton.com

#### Mexico

T +52.55.5082.1040  
E lsamarketing@leviton.com

#### China

T +852.2774.9876  
E infochina@leviton.com

#### Middle East & Africa

T +971.4.886.4722  
E lmeinfo@leviton.com

#### Colombia

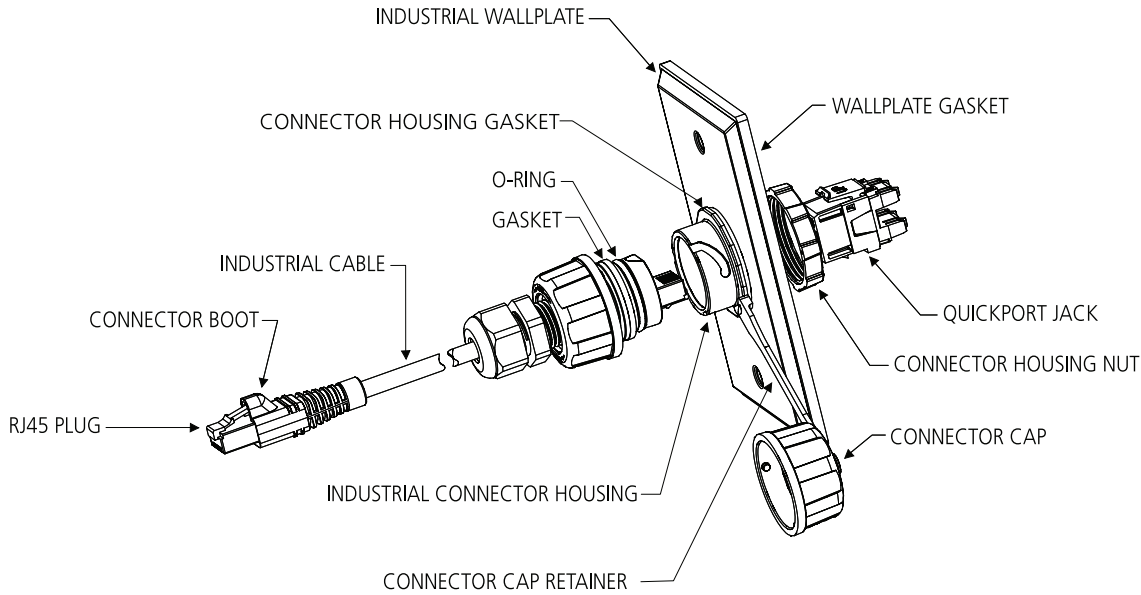
T +57.1.743.6045  
E infocolombia@leviton.com

#### South Korea

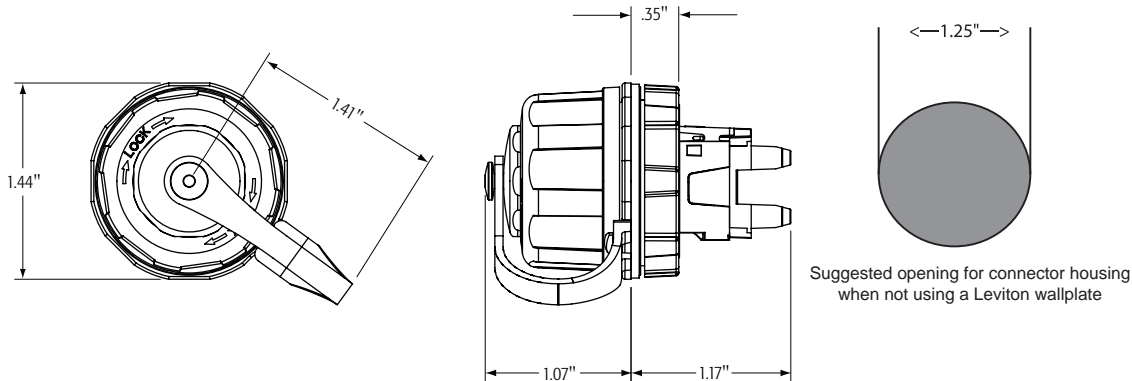
T +82.2.3273.9963  
E infokorea@leviton.com

**ELECTRONIC FILES**

For CAD files, typical specs, or technical drawings (.DXF, .DWG), visit [www.leviton.com](http://www.leviton.com).



**D67xx-00E**



**DURAPORT INDUSTRIAL CONNECTOR HOUSINGS**

Description	Part No.
Industrial Connector Housing, Cat 5e, w/ black 5G110 connector and cap	D675E-00E
Industrial Connector Housing, Cat 6, w/ black 61110 connector and cap	D6706-00E
Housing w/ Connector Cap (connector not included)	D6700-00E
Replacement Connector Cap (connector not included)	D6701-00E



<b>Leviton Network Solutions</b> 2222 - 222nd St. SE Bothell, WA 98021-4416  tel 1-800-824-3005 tel +1-425-486-2222 appeng@leviton.com www.leviton.com	<b>Asia / Pacific</b> T +1.631.812.6228 E infoasean@leviton.com	<b>Canada</b> T +1.514.954.1840 E pcservice@leviton.com	<b>Caribbean</b> T +1.954.593.1896 E infocaribbean@leviton.com	<b>China</b> T +852.2774.9876 E infochina@leviton.com	<b>Colombia</b> T +57.1.743.6045 E infocolombia@leviton.com
	<b>Europe</b> T +44.0.1592.772124 E customerservice@brand-rex.com	<b>India / SAARC</b> T +971.4.886.4722 E infoindia@leviton.com	<b>Mexico</b> T +52.55.5082.1040 E lsamarketing@leviton.com	<b>Middle East &amp; Africa</b> T +971.4.886.4722 E lmeinfo@leviton.com	<b>South Korea</b> T +82.2.3273.9963 E infokorea@leviton.com