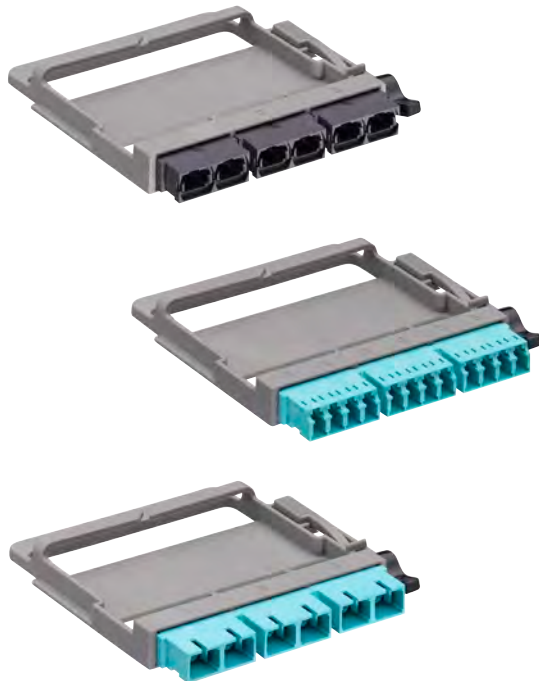


## HDX Fiber Adapter Plates

### APPLICATION

Leviton HDX Fiber Adapter Plates are used in conjunction with Opt-X® HDX Enclosures, Opt-X UHD X Enclosures, or the HDX Fiber Distribution Frame to provide a means to connect backbone-to-backbone or backbone-to-horizontal fiber cabling. The fiber adapter plates are offered in LC, SC, and MTP® versions.



### SPECIFICATION

Adapter plates shall be modular and functional for use in Opt-X HDX Enclosures, Opt-X UHD X Enclosures, and the HDX Fiber Distribution Frame. Adapter plates shall be offered in LC, SC, and MTP styles in all fiber types. Plates shall allow for 12 fibers when using LC connectors and 6 fibers when using SC connectors. Plates shall allow up to 72 fibers when using 12-fiber MTP connectors, or 144 fibers when using 24-fiber MTP connectors. Adapter plates shall be compliant to ANSI/TIA-568-C.3 (for performance) and respective ANSI/TIA-604-X (for intermateability) standards.

### FEATURES

- Adapter plates offered in LC, SC, MTP, and blank styles
- Offered in OM1, OM2, OM3/4, OM4+, and OS2 fiber types
- Easy one-hand installation and removal
- Includes retaining flanges for routing and protection of fibers

### DESIGN CONSIDERATIONS

- Fits in Opt-X 2000i HDX and Opt-X 1000i HDX 1RU and 2RU enclosures
- Fits in Opt-X UHD X 1RU, 2RU, and 4RU enclosures
- Fits in HDX Fiber Distribution Frame Patching Decks
- Adapter plates can be staged within a panel or enclosure to allow for future growth
- Visible sequential numbering to identify ports (for Tx and Rx)
- Zirconia ceramic sleeve used in laser-optimized multimode and single-mode applications (OM3, OM4, OM4+, OS2)
- Phosphate bronze sleeve used in standard multimode applications (OM1, OM2)
- Blank adapter plates available to block unused openings
- Recommend use of Leviton Premium Duplex LC Patch Cord for smallest outside cable jacket diameter

### STANDARDS COMPLIANCE

- Meets ANSI/TIA-568-C.3 for performance requirements
- Meets ANSI/TIA-604-5 (MTP), -3B (SC), -10B (LC) for connector intermateability

### PHYSICAL SPECIFICATIONS

Materials: Plate: gray polycarbonate  
Dimensions: See page two

#### ADAPTER COLORS

	OM1/OM2	OM3/OM4	OM4+	OS2
LC	Beige	Aqua	Violet	Blue
SC	Beige	Aqua	Aqua	Blue
MTP	Black	Black	Black	Black

### COUNTRY OF ORIGIN

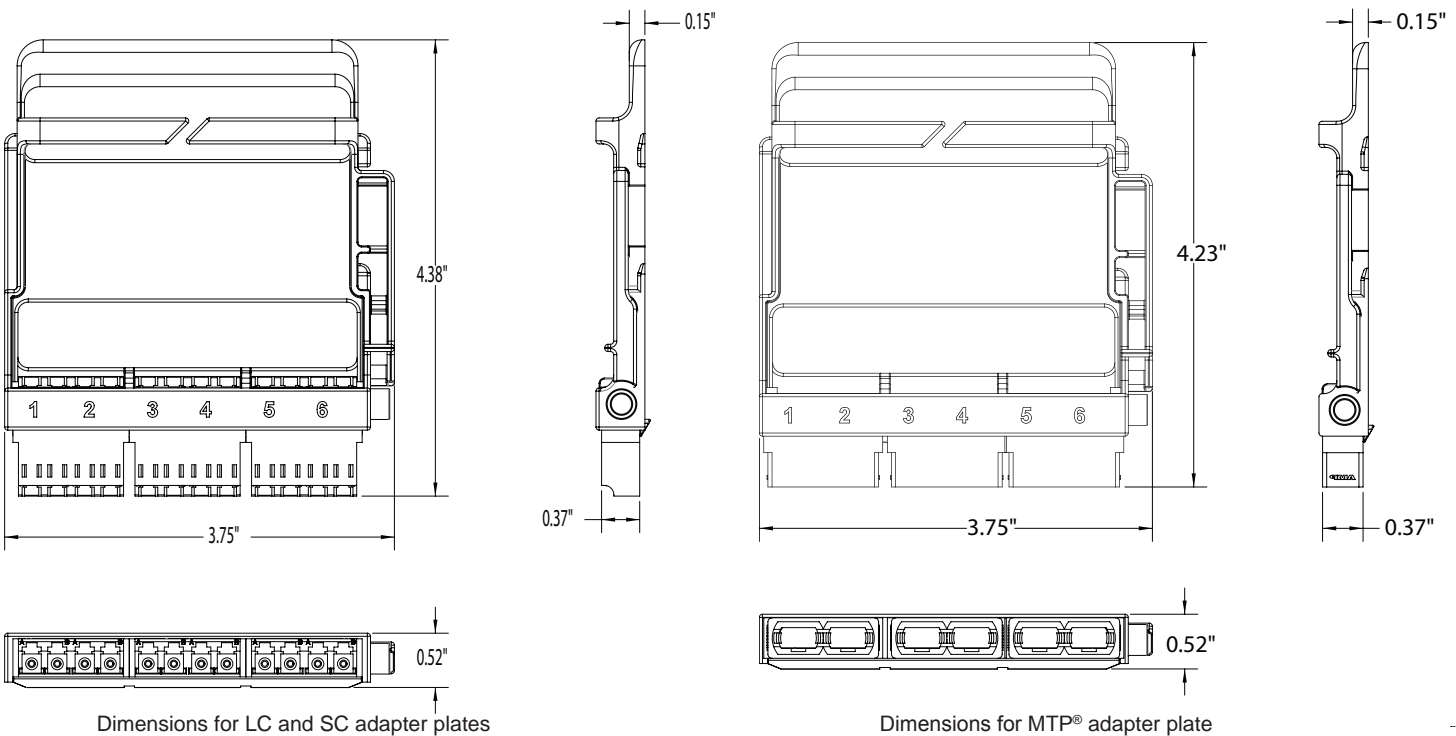
USA

### WARRANTY INFORMATION

For a copy of Leviton product warranties, visit [www.leviton.com/warranty](http://www.leviton.com/warranty).

### ELECTRONIC FILES

For CAD files, typical specs, or dimensional line art (.DXF, .DWG, Visio), visit: [www.leviton.com](http://www.leviton.com).



**HDX FIBER ADAPTER PLATES**

Description	Part No.
OM3 & OM4, Quad LC (aqua), 12 fibers, Zirconia Ceramic Sleeve	5FUHD-2QL
OM4+, Quad LC (violet), 12 fibers, Zirconia Ceramic Sleeve	5FUHD-2PL
OM1 & OM2, Quad LC (beige), 12 fibers, Phosphor Bronze Sleeve	5FUHD-2IL
OS2, Quad LC (blue), 12 fibers, Zirconia Ceramic Sleeve	5FUHD-2LL
OM3 & OM4, Duplex SC (aqua), 6 fibers, Zirconia Ceramic Sleeve	5FUHD-6QC
OM1 & OM2, Duplex SC (beige), 6 fibers, Phosphor Bronze Sleeve	5FUHD-6IC
OS2, Duplex SC (blue), 6 fibers, Zirconia Ceramic Sleeve	5FUHD-6LC
3 Duplex MTP Adapters (black), keyed up to keyed up	5FUHD-6MB
3 Duplex MTP Adapters (black), keyed up to keyed down	5FUHD-6MP
Blank	5FUHD-BLK

Note: Additional plate configurations are available. Please contact Tech Support at 800.824.3005 for more information.

