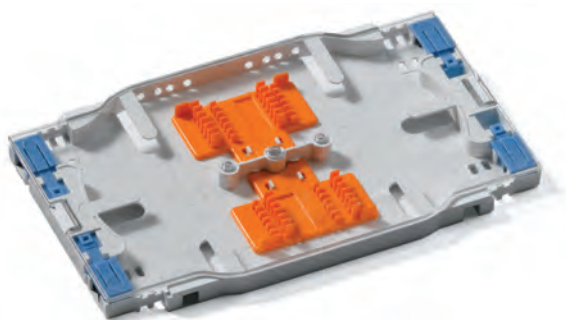


## 12- & 24-Fiber Injection-Molded Splice Trays

### APPLICATION

Leviton Injection-Molded Plastic Splice Trays provide protection and slack management of heat-shrink fusion spliced fibers (up to 12 or 24 fibers) inside of a fiber enclosure. Available in 12-fiber mini and 24-fiber high-density versions, both trays accommodate 250 or 900µm fiber and feature a clear cover for viewing and inspection of tray contents.



### FEATURES

- Four ratchet action clamps with foam rubber padding to minimize crush of loose tube or tight buffer fiber
- Clear cover allows viewing or inspection of fibers without having to remove cover
- Multiple tie-down holes for securing incoming fiber
- Accepts up to 12 or 24 heat-shrink-style fusion spliced fibers
- Splice sleeves included
- Mounting hardware sold separately
- Accommodates standard heat-shrink sleeves in 40 or 60 mm lengths

### DESIGN CONSIDERATIONS

- Use for single-mode or multimode fiber
- Durable injection-molded plastic trays and covers
- Center hole for mounting of tray
- 12- and 24-fiber splice trays installable in Leviton SDX and LightSpace® CPC/CPS wall-mount enclosures
- 12-fiber mini splice trays installable in all Leviton Network Interface Device (NID) enclosures

### PHYSICAL SPECIFICATIONS

Dimensions: See page two  
 Materials: G.E. Noryl E190 UL94 VO Rated

### WARRANTY INFORMATION

For a copy of Leviton product warranties, visit [www.leviton.com](http://www.leviton.com).

### SPECIFICATION

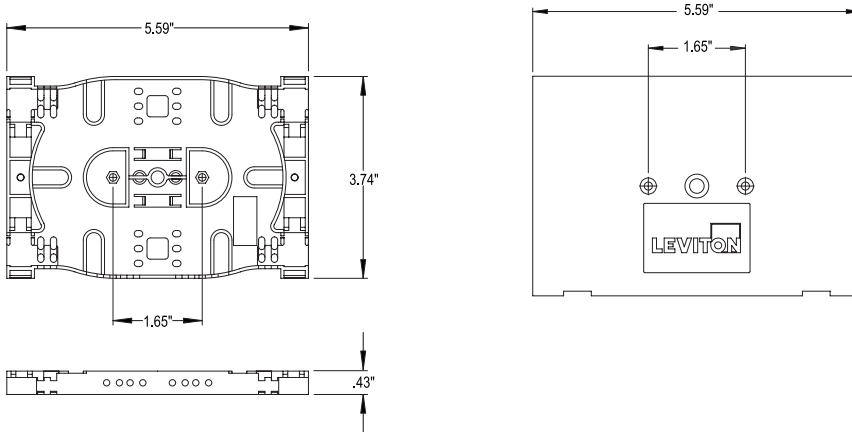
The fiber splice trays shall be offered in mini and high-density versions with removable clear covers for viewing and inspection of fibers. Incoming fiber shall be secured utilizing a ratchet action foam rubber padding clamp feature or tie-down points to minimize crushing of fiber. The trays shall accommodate slack management of both single-mode and multimode 250 or 900µm fiber and protection of (up to) 12 or 24 fiber heat-shrink-style fusion splices. Heat-shrink splice sleeves shall be included.

T5PLS-12F, T5PLS-24F

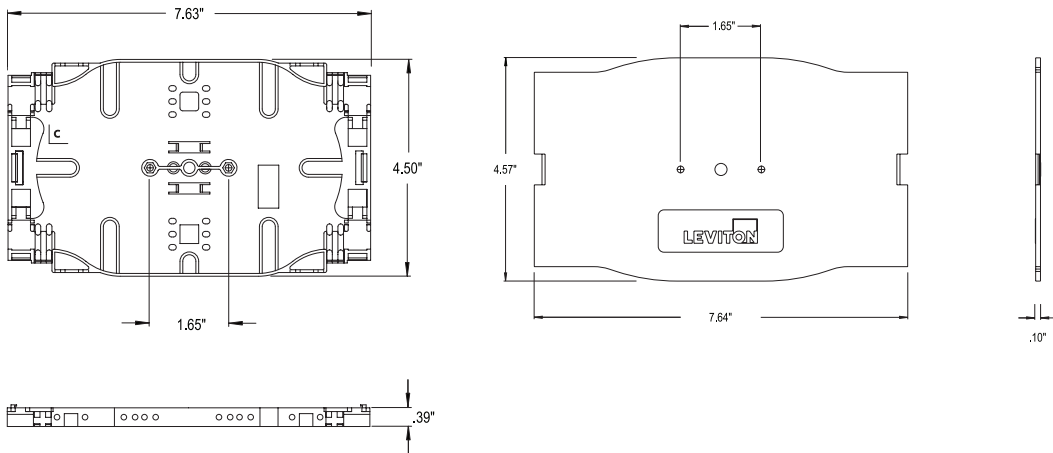
**ELECTRONIC FILES**

For CAD files, typical specs, or technical drawings (.DXF, .DWG), visit [www.leviton.com](http://www.leviton.com).

T5PLS-12F



T5PLS-24F



NOTE: Images not to scale.

PART NUMBERS	
Description	Part No.
12-Fiber Mini Injection Molded Splice Tray	T5PLS-12F
24-Fiber High Density Injection Molded Splice Tray	T5PLS-24F
Splice Tray Mounting Hardware Kit	SPLMT-HKT
Standard Heat Shrink Splice Sleeve 40mm Length	FSSSD-040
Standard Heat Shrink Splice Sleeve 60mm Length	FSSSD-060

