

Fast-Cure[®] Anaerobic Adhesive-Style Connectors

APPLICATION

Leviton's Fast-Cure anaerobic adhesive-style connectors are designed for quick and easy termination in the field. Fast-Cure connectors are available in single-mode and multimode versions in ST[®], SC, FC, and LC styles. Fast-Cure connectors are designed for indoor and outdoor applications where reliability, durability, and ease of installation are an important consideration. Typical installations are in premise LAN environments, or anywhere adhesive-style connectors are specified.



Pictured (left to right): ST Connector, SC Connector, FC Connector, and LC Connector.

SPECIFICATION

The Fast-Cure anaerobic adhesive-style fiber optic connector shall meet or exceed the requirements described in TIA-568-C.3 and 604 standards. Connector shall be field-polished, field-installable, and does not require a curing oven or proprietary tool to facilitate the termination of the fiber. Connector shall be available in LC, SC, FC or ST, single-mode or multimode configurations terminated on 900 μ m buffered fiber or 3 mm jacketed fiber. Typical connector Insertion Loss shall be 0.2dB. Typical connector Return Loss shall be greater than 25dB (multimode) and 55dB (single-mode).

FEATURES

- Typical termination in less than two minutes
- Low insertion loss connection
- Higher fiber retention than mechanical connectors
- No curing oven or proprietary tool required
- Compatible with MOS, QuickPort[®], Opt-X[®], and LightSpace[®] adapter plates
- Accessory for duplex clip sold separately

DESIGN CONSIDERATIONS

- Single-mode and multimode versions
- Precision pre-radiused zirconia ferrules
- Supports 900 μ m buffered fiber or 3 mm jacketed fiber
- High cable retention crimp for jacketed fiber
- Recommended for indoor and outdoor usage
- Body of ST and FC connectors are metal

PERFORMANCE SPECIFICATIONS

Parameter	Value
Insertion Loss (Single-mode or Multimode)	Typical: 0.2dB Max: <0.3dB
Return Loss (Single-mode)	Typical: >55dB
Return Loss (Multimode)	Typical: >25dB
Operating Temperature	-40 °C to +85 °C

STANDARDS COMPLIANCE

- Meets TIA-568-C.3 performance requirements
- Meets TIA-604-2 (ST), -3 (SC), -4 (FC), -10A (LC) Connector Intermateability Standards
- Meets GR-326; General Requirement for Single-mode Connectors

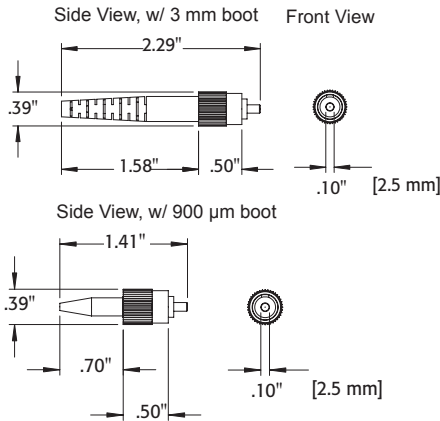
WARRANTY INFORMATION

For a copy of Leviton product warranties, visit www.leviton.com.

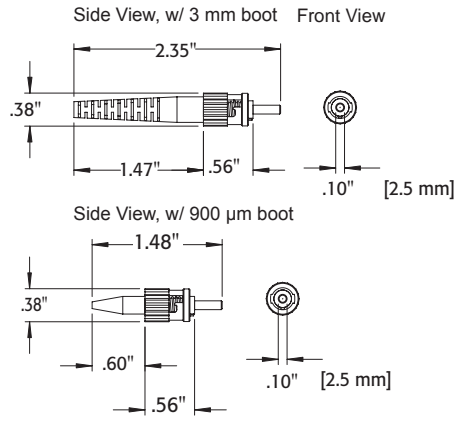
ELECTRONIC FILES

For CAD files, typical specs, or dimensional line art (.DXF, .DWG, Visio), visit www.leviton.com.

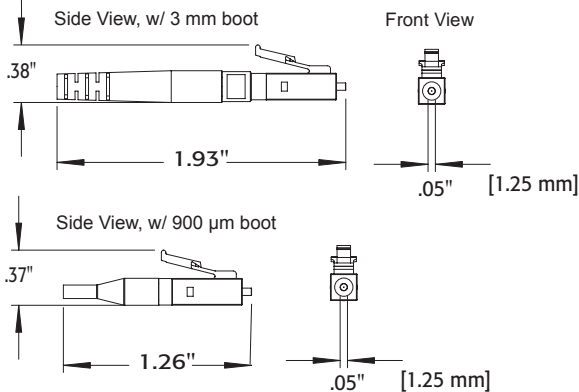
Fast-Cure FC Connector



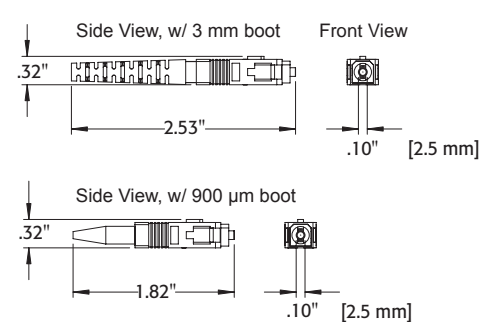
Fast-Cure ST® Connector



Fast-Cure LC Connector



Fast-Cure SC Connector



LEVITON TOOLKITS & ACCESSORIES

Description	Part No.
Light Tool Kit	49800-MTK
Fast-Cure Tool Kit	49800-FTK
Consumable Kit	49800-CON
SC Duplex Clip, black (bag of 25)	49886-DSC
LC Duplex Clip, beige, MM (bag of 25)	49886-DLM
LC Duplex Clip, blue, SM (bag of 25)	49886-DLS

LEVITON FAST-CURE CONNECTORS

Description	Part No.
Fast-Cure ST® Multimode	49990-MST
Fast-Cure ST Single-mode	49990-SST
Fast-Cure SC Multimode, beige	49990-MSC
Fast-Cure SC LOMM, aqua	49990-LSC
Fast-Cure SC Single-mode, blue	49990-SSC
Fast-Cure LC Multimode, beige w/ 3 mm boot	49990-ML2
Fast-Cure LC LOMM, aqua w/ 3 mm boot	49990-LL2
Fast-Cure LC Multimode, beige w/ 900 µm boot	49990-MDL
Fast-Cure LC LOMM, aqua w/ 900 µm boot	49990-LDL
Fast-Cure LC Single-mode, blue w/ 3 mm boot	49990-SL2
Fast-Cure LC Single-mode, blue w/ 900 µm boot	49990-SDL
Fast-Cure FC Multimode	49990-MFC
Fast-Cure FC Single-mode	49990-SFC

NOTE: Both single-mode and multimode SC, ST, and FC connectors come with a 3 mm and 900 µm boot.

ST is a registered trademark of AT&T Inc.

