

## USOC and Voice-Grade QuickPort® Connectors

### APPLICATION

USOC and Voice-Grade modular connectors snap into the entire Leviton QuickPort family of workstation housings. These include Multimedia Outlet System (with QuickPort module adapter), Decora® Inserts, patch panels, and patch blocks.



### SPECIFICATION

The voice-grade connectors shall be individual snap-in style. The connectors shall comply with all National Electrical Codes and ANSI/TIA-1096-A; UL listed; and CSA Certified. All plastics used in construction of the connector bodies shall be fire retardant, with a UL flammability rating of 94V-0. Termination of all connectors shall be 110-type (IDC) with solder-plated phosphor bronze contacts. The connector shall provide a ledge directly adjacent to the 110-style termination, against which the wires can be directly terminated and cut in one action by the installer. The voice-grade connector shall fit all other installed telecommunications wallplates, outlets, and field-configurable patch panels and patch blocks.

### FEATURES

- Exclusive cutting ledge combines termination and trim into one labor-saving step
- Individual port configurability allows specification flexibility
- Robust one-piece lead-frame design
- Narrow connector allows high port density in a small area
- Voice-Grade and USOC wire configuration labels

### DESIGN CONSIDERATIONS

- Use in any QuickPort connector housing to support voice-grade UTP applications in surface-mount, flush-mount, or modular furniture environments
- Can be used in conjunction with other QuickPort snap-in modules for voice/data and video applications over UTP, coax, and fiber
- For port identification, use different colored connectors for each application or pre-printed Port Designation Labels

### STANDARDS COMPLIANCE

- UL listed
- CSA certified
- NEC® Article 800
- ANSI/TIA-1096-A
- RoHS 2 (Directive 2011/65/EU)

### PHYSICAL SPECIFICATIONS

Dimensions: See page two

Materials: Connector body is high-impact, fire-retardant plastic rated UL 94V-0. Connector 110 IDC contacts are solder-plated phosphor bronze.

### COUNTRY OF ORIGIN

USA

### WARRANTY INFORMATION

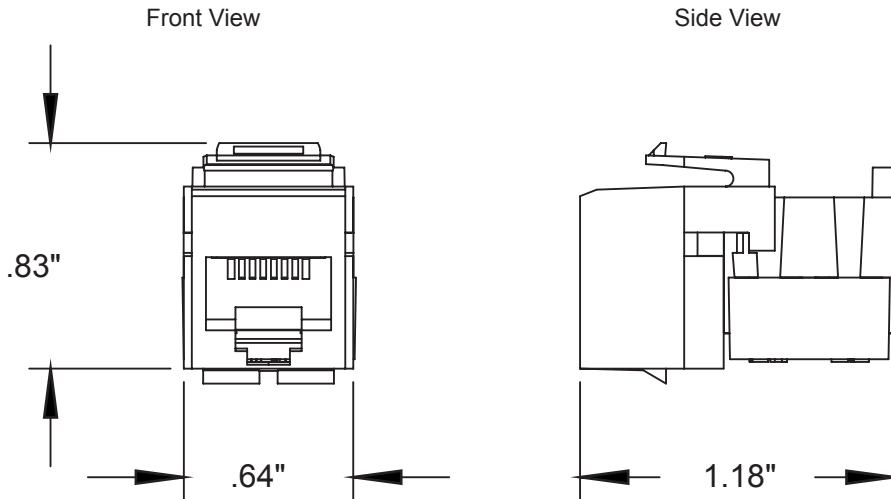
For a copy of Leviton product warranties, visit [www.leviton.com/warranty](http://www.leviton.com/warranty).

41106-Rx6, 41108-Rx8

**ELECTRONIC FILES**

For CAD files, typical specs, or technical drawings (.DXF, .DWG), visit [www.leviton.com](http://www.leviton.com).

41106-Rx6, 41108-Rx8



**PART NUMBERS**

Description	Part No.
USOC QuickPort® Snap-in Connector, 6-conductor	41106-Rx6
Voice-Grade QuickPort Snap-in Connector, 8-conductor	41108-Rx8

x = colors: Ivory (I), White (W), Grey (G), Black (E), Orange (O), Blue (L), Yellow (Y), Dark Red (R), Brown (B), Light Almond (T), Green (V), Purple (P), Crimson Red (C)



<b>Leviton Network Solutions</b> 2222 - 222nd St. SE Bothell, WA 98021-4416  tel 1-800-824-3005 tel +1-425-486-2222 appeng@leviton.com www.leviton.com	<b>Asia / Pacific</b> T +1.631.812.6228 E infoasean@leviton.com	<b>Canada</b> T +1.514.954.1840 E pcservice@leviton.com	<b>Caribbean</b> T +1.954.593.1896 E infocaribbean@leviton.com	<b>China</b> T +852.2774.9876 E infochina@leviton.com	<b>Colombia</b> T +57.1.743.6045 E infocolombia@leviton.com
	<b>Europe</b> T +33.6.8869.1380 E infoeurope@leviton.com	<b>India / SAARC</b> T +971.4.886.4722 E infoindia@leviton.com	<b>Mexico</b> T +52.55.5082.1040 E lsamarketing@leviton.com	<b>Middle East &amp; Africa</b> T +971.4.886.4722 E lmeinfo@leviton.com	<b>South Korea</b> T +82.2.3273.9963 E infokorea@leviton.com