

Front Hinge Bracket

APPLICATION

The Front Hinge Bracket facilitates the process of terminating Ethernet cables to the back side of patch panels when access to the rear is limited. The hinge allows the panels to be rotated forward to multiple angles to fully support the punch down process.



FEATURES

- Allows for front-end termination when rear access is unavailable
- Allows for cable termination in the vertical, 90- or 120-degree positions
- Supports up to three 1RU (rack unit) devices (patch panels or wire management)

STANDARDS COMPLIANCE

- cULus
- ANSI/TIA-568-B

PHYSICAL SPECIFICATIONS

Dimensions: See page two
Materials: 16-gauge steel
Finish: Powder-coated black

COUNTRY OF ORIGIN

USA

WARRANTY INFORMATION

For a copy of Leviton product warranties, visit www.leviton.com/warranty.

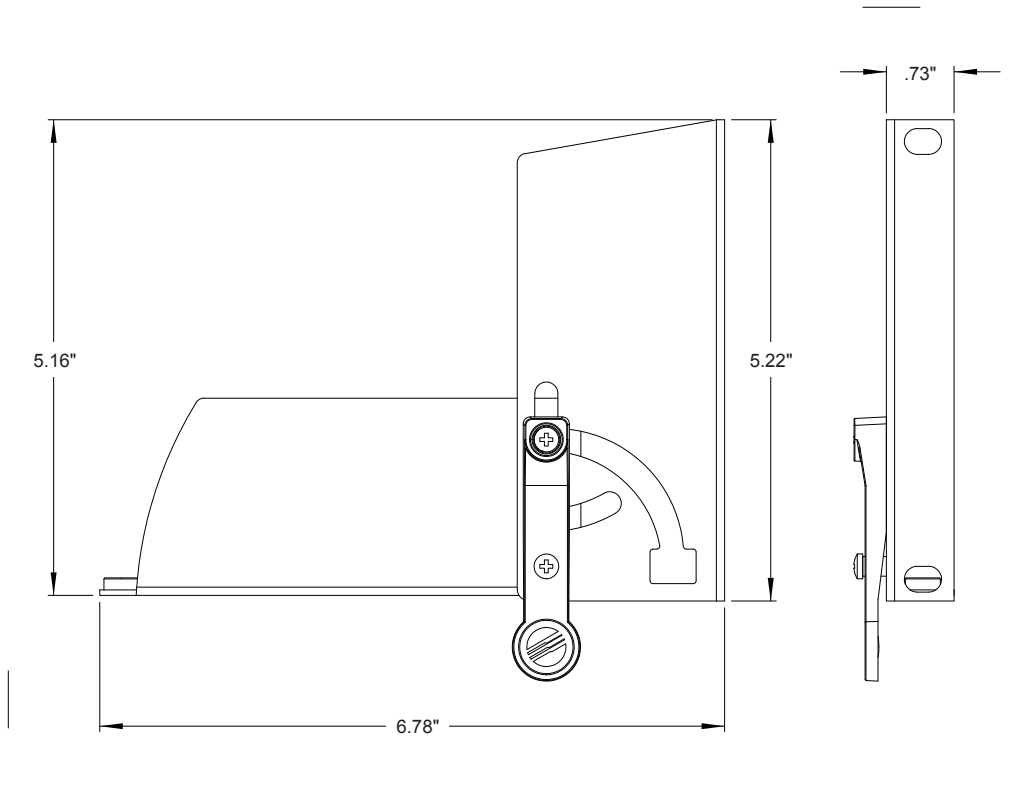
SPECIFICATION

This bracket shall be sold separately from Leviton Patch Panels and can be used in either a rack- or wall-mount configuration. To install, simply align bracket in desired location and secure the bracket using supplied screws to the rack or wall. When bracket is firmly mounted, close the bracket and attach the panels and/or cable management devices to the hinge. Be sure to leave enough slack when terminating to give the cable the necessary allowance needed for movement.

ELECTRONIC FILES

For CAD files, typical specs, or technical drawings (.DXF, .DWG), visit www.leviton.com.

49400-FHB



PART NUMBERS

Description

Part No.

Front Hinge Bracket

49400-FHB



Leviton Network Solutions
 2222 - 222nd St. SE
 Bothell, WA 98021-4416

Asia / Pacific
 T +1.631.812.6228
 E infoasean@leviton.com

Canada
 T +1.514.954.1840
 E pcservice@leviton.com

Caribbean
 T +1.954.593.1896
 E infocaribbean@leviton.com

China
 T +852.2774.9876
 E infochina@leviton.com

Colombia
 T +57.1.743.6045
 E infocolombia@leviton.com

tel 1-800-824-3005
 tel +1-425-486-2222
appeng@leviton.com
www.leviton.com

Europe
 T +33.6.8869.1380
 E infoeurope@leviton.com

India / SAARC
 T +971.4.886.4722
 E infoindia@leviton.com

Mexico
 T +52.55.5082.1040
 E lsamarketing@leviton.com

Middle East & Africa
 T +971.4.886.4722
 E lmeinfor@leviton.com

South Korea
 T +82.2.3273.9963
 E infokorea@leviton.com