

# C2800FDi DSP power amplifier 2x1400W, install



- Installation DSP amplifier, Euroblock connectors
- Fully integrated professional speaker processing with FIR Drive technology
- Market leading acoustic performance and rock solid reliability
- Low Z and 70/100V operation and power saving standby mode
- Intuitive system control software, makes setup and control easy

## Technical specifications

<b>Load Impedance</b>	2 $\Omega$	2.7 $\Omega$	4 $\Omega$	8 $\Omega$
<b>Maximum Output Power, Single Channel</b>	2300 W	2000 W	1400 W	700 W
<b>Maximum Output Power, Dual Channel</b>	2200 W	1800 W	1300 W	650 W
<b>Maximum Output Power, Bridged</b>	-	-	4400 W	2600 W
<b>Direct Drive Load Capability Dual Channel Bridged</b>	<b>70V Operation</b> 2 x 1250 W (0.0 dB) Not recommended <sup>1</sup>		<b>100V Operation</b> 2 x 1250 W (-3.0 dB) 1 x 1250 W (0.0 dB)	
<b>Maximum RMS Voltage Swing</b> THD = 1%, 1 kHz	78.8 V			
<b>Voltage Gain</b> Ref.1 kHz	32.0 dB			
<b>THD at 900 W/4 <math>\Omega</math></b> MBW = 80 kHz, 1 kHz	< 0.05%			

<b>IMD-SMPTE,</b> 60 Hz, 7 kHz	< 0.1%
<b>DIM30,</b> 3.15 kHz, 15 kHz	< 0.05%
<b>Maximum Input Level</b>	+21 dBu
<b>Crosstalk</b> ref. 1 kHz, at 100 W/4 $\Omega$	< -80 dB
<b>Frequency Response,</b> ref. 1 kHz	10 Hz to 21 kHz ( $\pm$ 1 dB)
<b>Input Impedance,</b> Active Balanced	20 k $\Omega$
<b>Signal to Noise Ratio Amplifier,</b> A-weighted, ref to Max. Output Power @ 8 $\Omega$	>107 dB
<b>Output Noise,</b> A-weighted	< -68 dBu

<b>Output Stage Topology</b>	Class H
<b>Power Requirements</b>	240 V, 230 V, 120 V or 100 V; 50 Hz to 60 Hz (factory configured)
<b>Power Consumption</b> 1/8 Maximum Output Power @ 4 Ω	700 W
<b>Mains Fuse</b>	240 V/230 V: T15AH; 120 V/100 V: T25AH
<b>Protection</b>	Audio limiters, high temperature, DC, HF, Back-EMF, Peak current limiters, Inrush current limiters, Turn on delay
<b>Cooling</b>	Front-to-rear, 3-stage-fans
<b>Ambient Temperature Limits</b>	+5°C to +40°C (40°F to +105°F)
<b>Safety Class</b>	I
<b>Color</b>	Black
<b>Dimensions</b> (W x H x D), mm	483 x 88 x 462.4
<b>Weight</b>	16.2 kg (35.7 lb)
<b>Remote Power ON/GPIO</b>	Power remote via switch, delay time selectable Floating relay contacts (show protect mode) Inputs for preset selection
<b>Signal Processing</b>	FIR Filters, Audio Limiters Output delay per channel, 31 band GEQ per channel, PEQ per channel, Load impedance
<b>Accessories</b>	RMK15 (rear rack mount kit), Multi Amplifier Remote Control (MARC) software

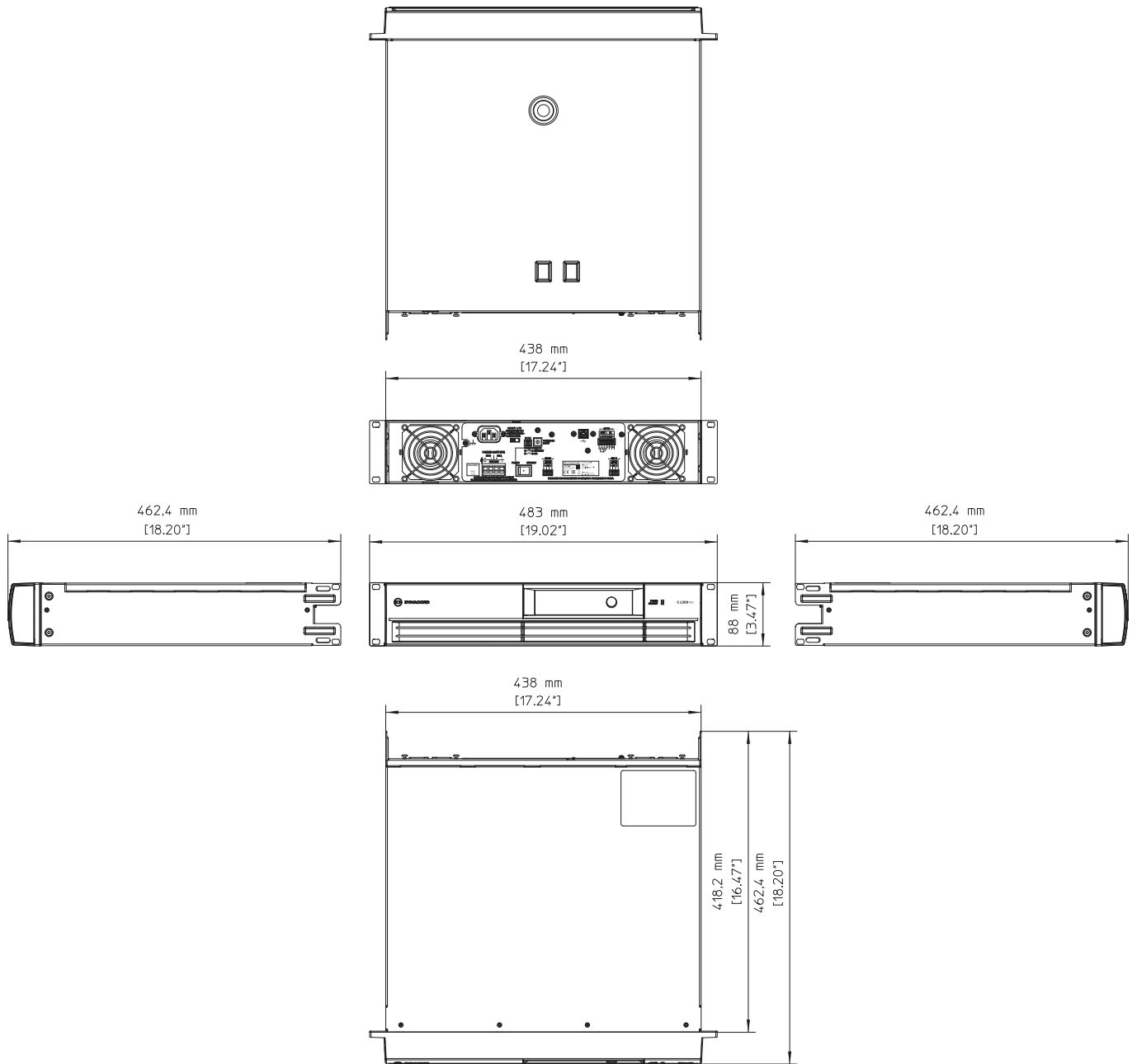
Test signal for max. output power according IHF-A-202 (Dynamic-Headroom, burst 1 kHz/20 ms on/480 ms off/low level -20 dBu).

### Direct drive load capability

The direct drive load capability is a measure for the total wattage that can be driven in 70 V/100 V operation mode. A load capability value of 1250 watts means that this amplifier can drive e.g. 50 loudspeakers at a voltage tap of 25 watts. The dB value in parentheses indicates the delta to maximum modulation. In cases where the maximum modulation is not required you can use the smaller amplifier model.

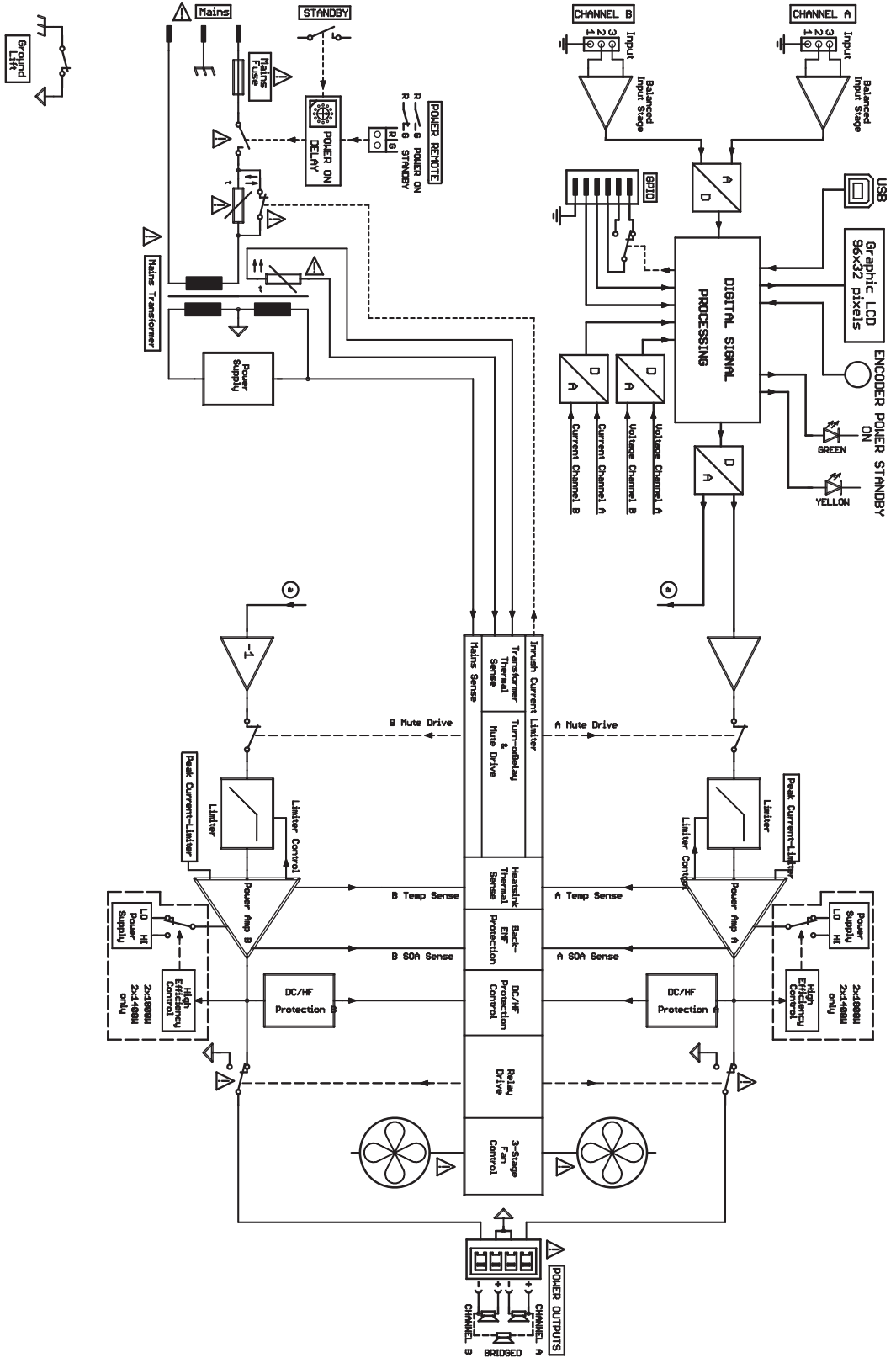
<sup>1</sup>This operation mode is not recommended due to the efficiency reasons. Please use the next smaller amplifier for this mode.

<sup>2</sup>Direct drive mode not available for this configuration. C2800FDi is the recommended amplifier for 70V Direct Drive. Amplifier operated in Dual Channel mode.



Dimensions

 SAFETY COMPONENT MUST BE REPLACED BY ORIGINAL PART



Block diagram

## Ordering information

### **C2800FDI-AU DSP power amplifier 2x1400W, install AU**

DSP power amplifier 2 x 1400W @ 4 ohms with FIR Drive, 70V/100V output, GPI remote power, black, Australian region  
Order number **C2800FDI-AU**

---

### **C2800FDI-CN DSP power amplifier 2x1400W, install CN**

DSP power amplifier 2 x 1400W @ 4 ohms with FIR Drive, 70V/100V output, GPI remote power, black, Chinese region  
Order number **C2800FDI-CN**

---

### **C2800FDI-EU DSP power amplifier 2x1400W, install EU**

DSP power amplifier 2 x 1400W @ 4 ohms with FIR Drive, 70V/100V output, GPI remote power, black, European region  
Order number **C2800FDI-EU**

---

### **C2800FDI-JP DSP power amplifier 2x1400W, install JP**

DSP power amplifier 2 x 1400W @ 4 ohms with FIR Drive, 70V/100V output, GPI remote power, black, Japanese region  
Order number **C2800FDI-JP**

---

### **C2800FDI-UK DSP power amplifier 2x1400W, install UK**

DSP power amplifier 2 x 1400W @ 4 ohms with FIR Drive, 70V/100V output, GPI remote power, black, UK region  
Order number **C2800FDI-UK**

---

### **C2800FDI-US DSP power amplifier 2x1400W, install US**

DSP power amplifier 2 x 1400W @ 4 ohms with FIR Drive, 70V/100V output, GPI remote power, black, North American region  
Order number **C2800FDI-US**

---

### **DC-RMK15**

Rack Mount Kit for amplifiers, Length 15,5"; 1L/1R  
Order number **DC-RMK15**

---

#### **Germany:**

Bosch Sicherheitssysteme GmbH  
Robert-Bosch-Ring 5  
85630 Grasbrunn  
Germany

Bosch Security Systems, Inc.  
130 Perinton Parkway  
Fairport, NY 14450  
USA

[www.dynacord.com](http://www.dynacord.com)