

HCB-6001

1080p Analog HD camera



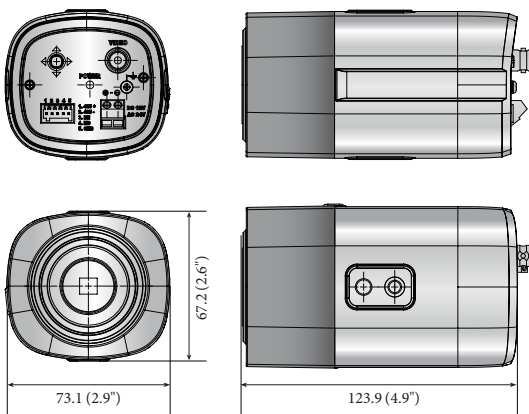
* Lens not included

Key Features

- Full HD(1920 x 1080, 30fps) resolution
- 0.09Lux@F1.2(Color), 0.009Lux@F1.2(B/W)
- Day & Night(ICR), WDR(120dB)
- SSNRIV, Motion detection
- Transmission distance max.500m
- Easy installation (Plug & play), Dual power, RS-485

Dimensions

Unit : mm (inch)



HCP-6001N/P	
VIDEO	
Imaging Device	1/2.8" 2M CMOS
Total Pixels	1,945(H) x 1,109(V) 2.16M pixels
Effective Pixels	1,945(H) x 1,097(V) 2.13M pixels
Scanning System	Progressive Scan
Min. Illumination	Color : 0.09 Lux(F1.2) B/W : 0.009 Lux(F1.2)
S / N Ratio	52dB (AGC off, Weight on)
Video Output	BNC(AHD / TVI / CVI / CVBS Selectable)
Resolution	1920 x 1080
Max. Framerate	30fps @1080p
LENS	
Focus Control	Simple focus / Manual, Button control(Manual Simple focus, Day&Night)
Lens Type	Manual / DC auto Iris / P-iris
Mount Type	C/CS
OPERATIONAL	
On Screen Display	Multi-language Support(16) English, Japanese, Spanish, French, Portuguese, Korean, German, Italian, Russian, Polish, Czech, Romanian, Serbian, Swedish, Danish, Turkish
Camera Title	Off / On (Displayed 15 characters)
Day & Night	Auto (ICR) / External / Color / B/W
Backlight Compensation	Off / User BLC / HLC / WDR
Wide Dynamic Range	120dB
Digital Noise Reduction	SSNRIV (Off / On)
Defog	AUTO / MANUAL / OFF
Motion Detection	Off / On(4 zones)
Privacy Masking	Off / On (4zones rectangle)
Gain Control	Off / Low / Middle / High / Very High
White Balance	ATW / Outdoor / Indoor / Manual / AWC (1,800K ^o ~ 10,500K ^o)
Electronic Shutter Speed	1sec~ 1/12,000sec
Reverse	Off / H-Rev / V-Rev / HV-Rev
Profile	Basic, Day & Night, Backlight, ITS, Indoor, User
Alarm	(MD) output 1, External D/N 1
Remote Control Interface	Coaxial, RS-485
Protocol	Coax : Pelco-C(coaxitron), ACP(AHD Coax Protocol) RS-485 : Samsung T/E, Pelco D/P, Panasonic Bosch, Honeywell, Vicon, GE, AD
Video Transmission Distance	500m(5C2V Coaxial Cable)
ENVIRONMENTAL	
Operating Temperature / Humidity	-10°C ~ +55°C (+14°F ~ +131°F) / Less than 90% RH
ELECTRICAL	
Input Voltage / Current	Dual (24VAC±10% & 12VDC±10%)
Power Consumption	Max. 6W
MECHANICAL	
Color / Material	Ivory / Plastic
Dimensions (WxHxD)	73.1x 67.2 x 123.9mm (2.9" x 2.6" x 4.9")
Weight	287g

* The latest product information / specification can be found at hanwha-security.com
* Design and specifications are subject to change without notice.