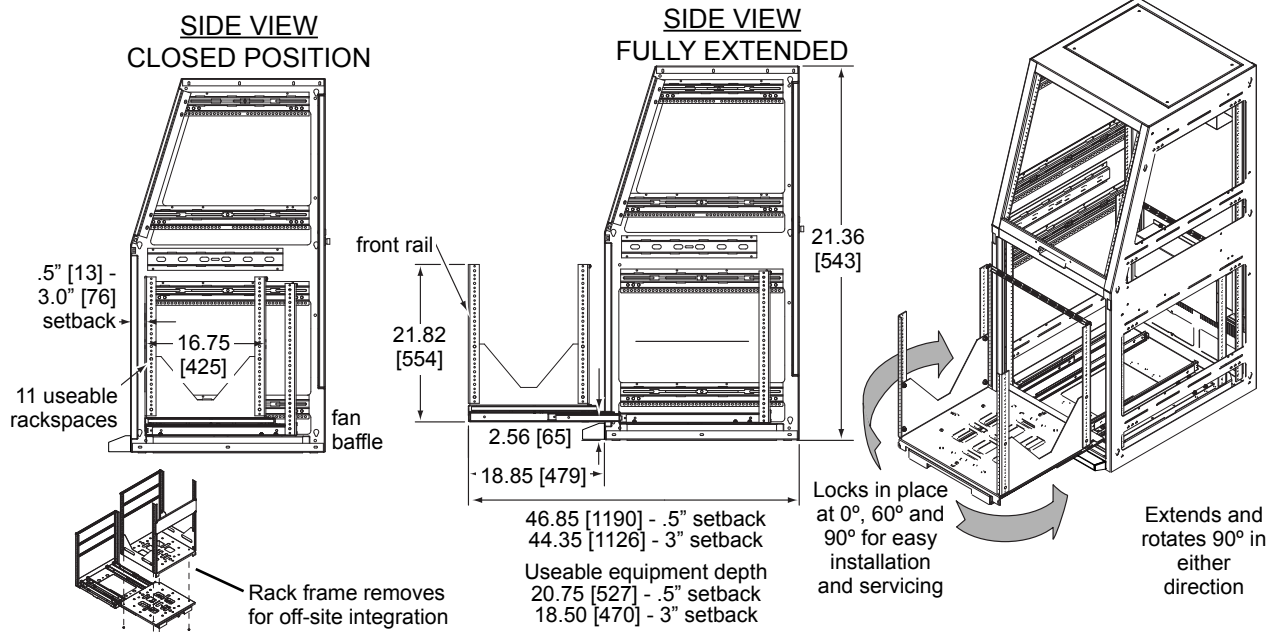


rotating slide out rack and work surface basic dimensions



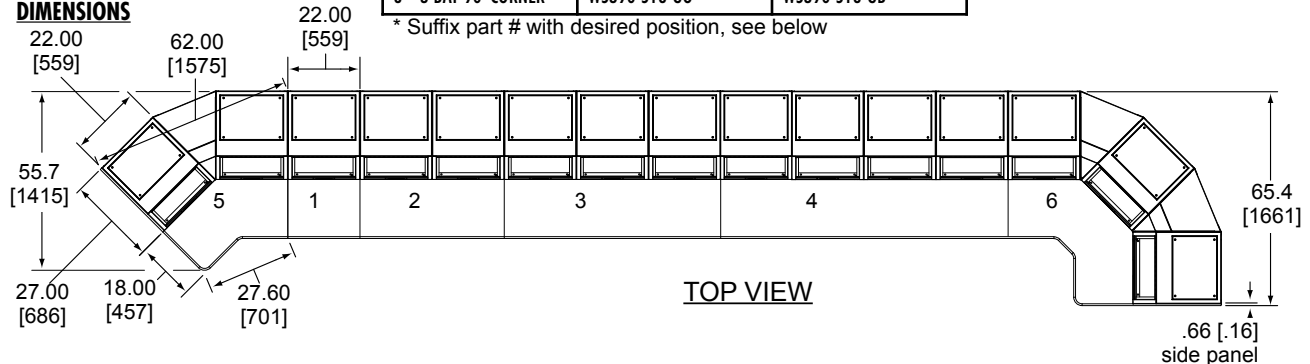
PART #	BOTTOM BAY RACKING HEIGHT	TOP BAY RACKING HEIGHT	OD HEIGHT	USEABLE DEPTH	OD DEPTH	OD WIDTH
SCQ-1427-1217BKS	19-1/4" (11 space)	21" (12 space)	51-7/8"	23"	27"	22"
SCQ-1427-1460BKS	19-1/4" (11 space)	24-1/2" (14 space)	42-3/4"	23"	27"	22"

WORK SURFACES

DESCRIPTION	BEVELED OAK TRIM	BLACK T-MOLD TRIM
1 SINGLE BAY	WS1-S18-GO *	WS1-S18-GB *
2 TWO BAY STRAIGHT	WS2-S18-GO *	WS2-S18-GB *
3 THREE BAY STRAIGHT	WS3-S18-GO *	WS3-S18-GB *
4 FOUR BAY STRAIGHT	WS4-S18-GO *	WS4-S18-GB *
5 2 BAY 45° CORNER	WS245-S18-GO *	WS245-S18-GB *
6 3 BAY 90° CORNER	WS390-S18-GO *	WS390-S18-GB *

* Suffix part # with desired position, see below

DIMENSIONS



FINISH / POSITION



F = FINISHED ALL SIDES

L = RADIUS EDGE LEFT (RIGHT SIDE UNFINISHED)

C = CENTER (LEFT AND RIGHT UNFINISHED)

R = RADIUS EDGE RIGHT (LEFT SIDE UNFINISHED)



All dimensions in inches unless otherwise noted