



Middle Atlantic Products

EXCEPTIONAL SUPPORT & PROTECTION™

The Convective Series™ Console



Advanced functionality at a competitive price

Features

- Fully welded 14-gauge construction (no assembly required)
- Engineered ventilation locations promote proper passive convective cooling, extending equipment life and reducing maintenance
- Weight capacity of 1,500 lbs.
- Narrow 22" overall width, 27" overall depth
- Available with a 17° or 60° sloped upper tier
- 3 pairs fully-adjustable 11-gauge 10-32 threaded rackrail
- Rackrail marked in numbered rackspace increments
- Brush grommet cable entry above work surface
- 3 point locking rear door standard on console, 2 point locking rear door standard on top monitor rack
- Unique zero-space wedge saves space and includes 3 point locking rear door allowing interior to be used for cable management and power distribution
- 1/2", 3/4", 1" and 1-1/2" electrical knockouts on removable bottom rear plates for cable pass-through
- Available with slide out rotating equipment rack with detachable frame that allows for off-site integration
- Seismic Certified (when used with SC-Z4 option) with an Ip value of 1.5
- Durable textured black powder coat finish
- Base console UL Listed in the US and Canada



QTY	PART #	DESCRIPTION
2	SC-1427-1217BK	Convective Series™ Console
2	SC3T-1427-1217-12BK	Top Monitor Rack, Straight
1	SPN-1427-1217BK	Pair console side panels
1	SPN3T-1427-1217-12BK	Pair top monitor racks side panels, straight
1	WS2-S18-GBF	2 bay work surface - straight, black t-mold edge
2	SC-TK	Stainless steel foot-rest

CUSTOMIZABLE SPECIFICATION CLIPS AVAILABLE AT MIDDLEATLANTIC.COM

Architects' and Engineers' Specifications

19" gangable console shall be Middle Atlantic Products model # SC-1427-____BK (1217, 1460) and EIA compliant to standard 310D. Overall dimensions of console shall be 51.9"H x 22"W x 27"D. Useable height shall be 14 rackspaces on straight face, ____ (12, 14) rackspaces on ____° (17, 60) sloped tier. Fully welded construction provides a 1,500 lb. weight capacity. Rack shall be constructed of 14-gauge steel, horizontal braces shall be 16-gauge steel, rear door shall be 18-gauge steel, all structural elements shall be phosphate pre-treated and finished in a durable Black Textured powder coat. Console shall come equipped with 3 pairs of fully adjustable 11-gauge steel rackrail: 14 space on straight face, ____ (12, 14) space on ____° (17, 60) sloped tier, 22 space in rear; with tapped 10-32 mounting holes in universal EIA spacing with black e-coat finish and numbered rackspaces. The SC-1427-____ (1217, 1460) shall have a standard vented locking rear door with 3-point latch. Console shall have 2 removable rear knockout panels with 1/2", 3/4", 1", and 1-1/2" electrical knockouts installed in base. Grounding and bonding stud shall be 1/4 - 20 threaded, installed in base. Base console shall be UL Listed in the US and Canada. Convective Series™ consoles shall satisfy the 1997 UBC and 1998 CBC Seismic Zone 4 and the 2000 IBC, 2003 IBC, 2002 ASCE Standard 7 and NFPA 5000 Seismic Use Group III lateral force requirements for protecting 375 lbs. of essential equipment upper floor installations when used in conjunction with the SC-Z4 seismic floor anchor brackets with an Ip value of 1.5. Console shall be GREENGUARD Indoor Air Quality for Children and Schools. Console shall comply with the requirements of RoHS EU Directive 2002/95/EC. Console shall be manufactured by an ISO 9001 and ISO 14001 registered company.

19" gangable console outfitted with rotating sliding rail system shall be Middle Atlantic Products model # SC-1427-____ (1217, 1460) ____BK - S and include all features of standard console. The rotating sliding rail system shall have 11 useable rackspaces, 23" useable depth, rotate 90° for access to equipment connections, have a 200 lb. weight capacity (console bay will have a 1,500 lb. overall weight capacity), and have a detachable frame that allows for off-site integration. SC-1427-____ (1217, 1460) ____BK - S shall have a pre-installed stainless steel foot-rest.

19" gangable top monitor rack for 17° sloped consoles shall be Middle Atlantic Products model # SC3T-1427-1217-12BK (straight face) and SC3T-1427-1217-1217BK (17° sloped face) and EIA compliant to standard 310D. Overall dimensions of top monitor rack console shall be ____"H x 22"W x ____"D (refer to chart). Useable height shall be 12 rackspaces. Fully welded rack shall be constructed of 14-gauge steel, horizontal braces shall be 16-gauge steel, rear door shall be 16-gauge steel, all structural elements shall be phosphate pre-treated and finished in a durable Black Textured powder coat. Top monitor rack shall come equipped with 2 pairs of fully adjustable 11-gauge steel rackrail with tapped 10-32 mounting holes in universal EIA spacing with black e-coat finish and numbered rackspaces. The top monitor rack shall have a vented locking rear door with 2-point latch. Grounding and bonding stud shall be 1/4 - 20 threaded, installed in base.

45° 'Zero-space' Connecting wedge for base module shall be Middle Atlantic Products model # SCW45-1427-1217BK (for 17° sloped tier consoles) and SCW45-1427-1460BK (for 60° sloped tier consoles). Fully welded connecting wedge shall be constructed of 14-gauge steel and include 6 lacing bars for cable management, and be finished in a durable black textured powder coat. The base console connecting wedge shall have a standard locking rear door with 3-point latch. 45° Connecting wedge for top module shall be Middle Atlantic Products model #SC3TW45-1427-1217-1217BK (for connecting sloped face top modules) or SC3TW45-1427-1217-12BK (for connecting straight face top modules). Connecting wedge shall be constructed of 14-gauge steel and finished in a durable Black Textured powder coat. The connecting wedge shall have an 18-gauge locking rear door with 2-point latch.

Work surface shall be available in graphite laminate with beveled oak trim or graphite laminate with black bullnose trim model # WS_-S18-G_ (refer to chart) shall be constructed of 1" thick 45 lb. density industrial MDF board.

Pair of vented locking side panels shall be Middle Atlantic Products model # SPN-1427-1217BK (for SC-1427-1217BK), SPN-1427-1460BK (for SC-1427-1460BK), SPN3T-1427-1217-12BK (for SC3T-1427-1217-12BK), and SPN3T-1427-1217-1217BK (for SC3T-1427-1217-1217BK).

Console caster base shall be Middle Atlantic Products model # SC-CBS-27 and shall be UL Listed in the US and Canada with a 400 lb. weight capacity.

Stainless steel foot-rest shall be Middle Atlantic Products model # SC-TK.

Solid front door shall be Middle Atlantic Products model # SCFD-14BK. The solid front door shall be user installed onto the straight face of the SC-1427-1217 or SC-1427-1460. The SCFD-14BK shall be constructed of 16-gauge steel and have a 3-point latch.

Additional rackrail shall be Middle Atlantic Products model # SC-RR12 (12 rackspaces) and SC-RR27 (27 rackspaces).

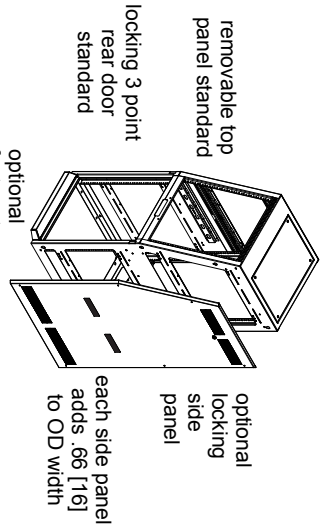
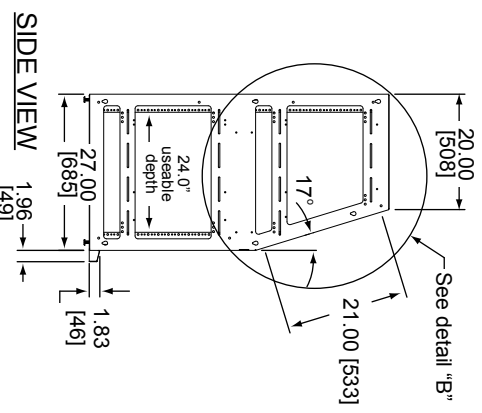
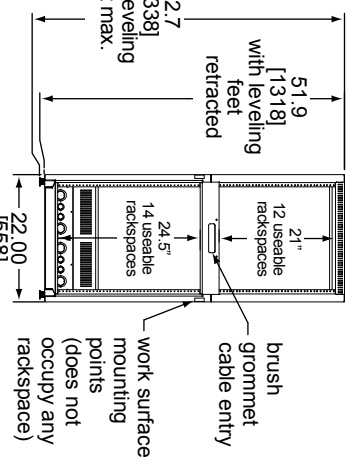
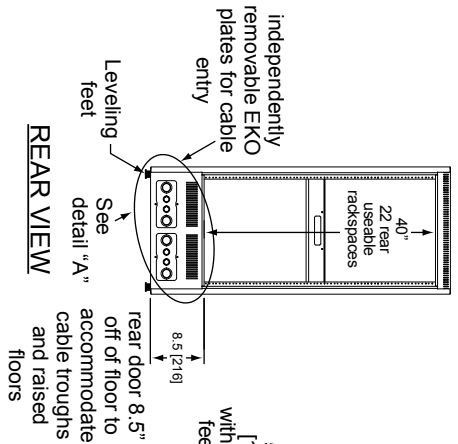
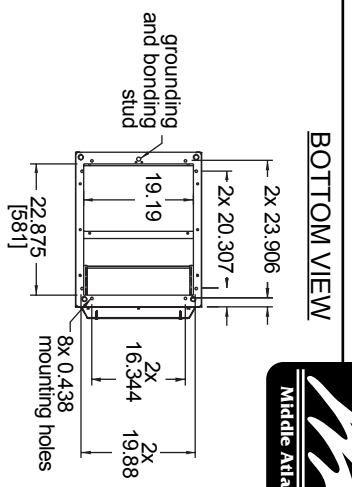
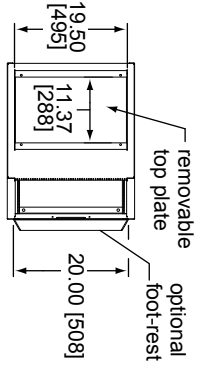
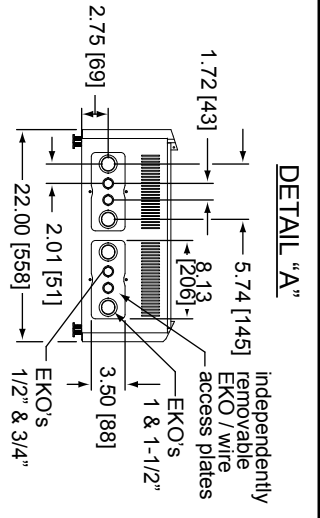
Seismic zone-4 compliancy floor anchor kit, model # SC-Z4

OPTIONS

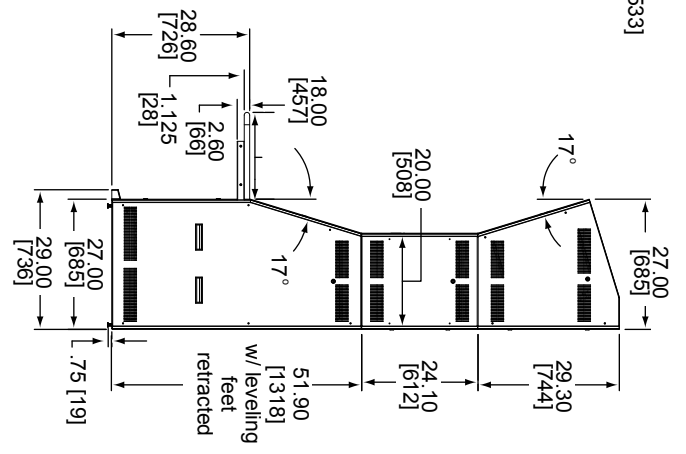
- Additional rackrail shall be Middle Atlantic Products model # SC-RR12 (12 rackspaces) and SC-RR27 (27 rackspaces).
- Seismic reinforcement brackets shall be model # SC-Z4
- SC-TK stainless steel foot-rest



Console basic dimensions - 17° slope



DETAIL "B"

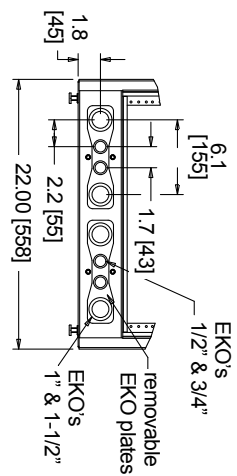


PART #	SLOPED FACE RACKING HEIGHT / RACKSPACES	STRAIGHT FACE RACKING HEIGHT / RACKSPACES	REAR USEABLE RACKING HEIGHT	OVERALL HEIGHT	OVERALL WIDTH	OVERALL DEPTH	USEABLE DEPTH ON STRAIGHT FACE	MIN. USEABLE DEPTH ON SLOPE FACE	MAX. USEABLE DEPTH ON SLOPE FACE
SC-1427-1217BK	21" / 12 spaces	24.5" / 14 spaces	38.5" / 22 spaces	51.9"	22"	27"	24"	19"	25"

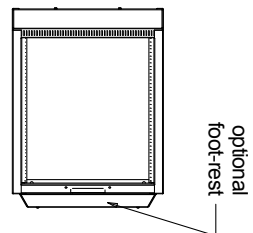
All dimensions in inches unless otherwise noted [All bracketed dimensions are in millimeters]

Console basic dimensions - 60° slope

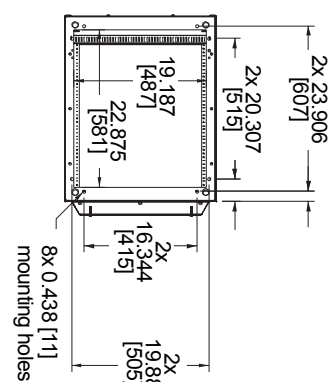
DETAIL A



TOP VIEW

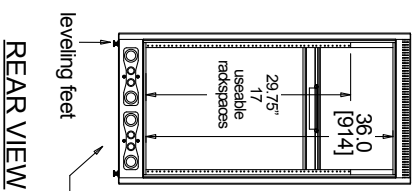
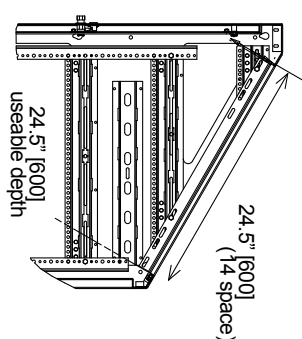


BOTTOM VIEW

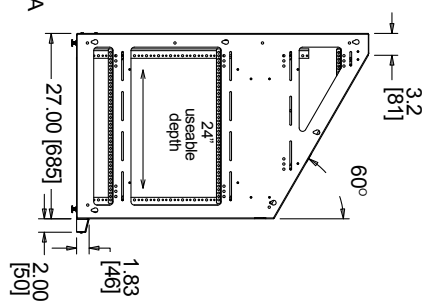


All dimensions in inches unless otherwise noted [All bracketed dimensions are in millimeters]

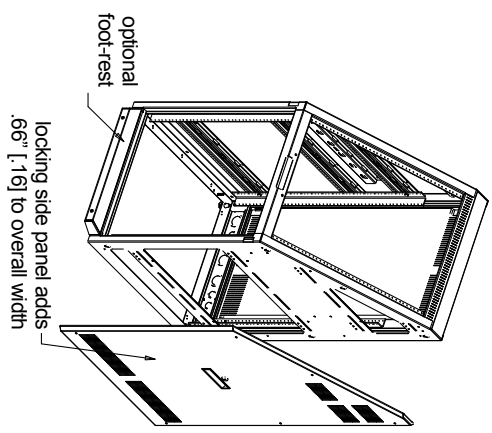
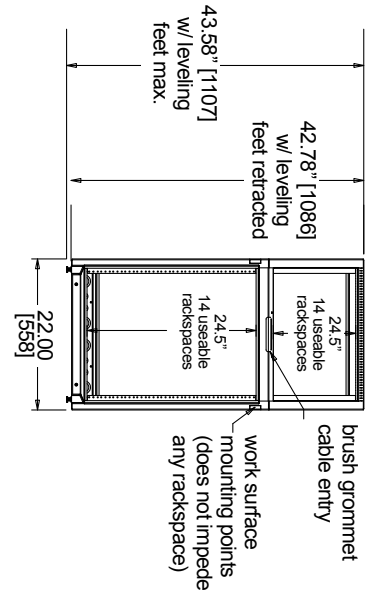
(4.5 [114] max. useable depth in this area)



SIDE VIEW



FRONT VIEW

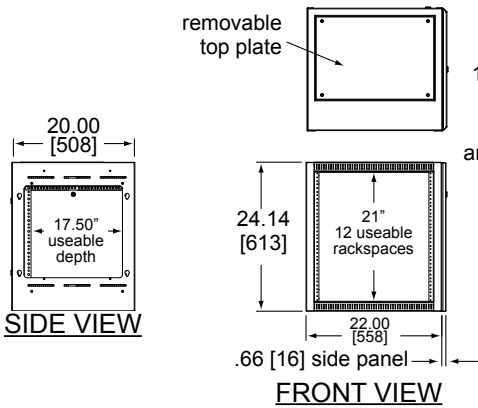


PART #	SLOPED FACE RACKING HEIGHT / RACKSPACES	STRAIGHT FACE RACKING HEIGHT / RACKSPACES	REAR USEABLE RACKING HEIGHT	OVERALL HEIGHT	OVERALL WIDTH	OVERALL DEPTH	USEABLE DEPTH ON STRAIGHT FACE
SC-1427-1460BR	24.5" / 14 spaces	24.5" / 14 spaces	29.75" / 17 spaces	42.78"	22"	27"	21.5"

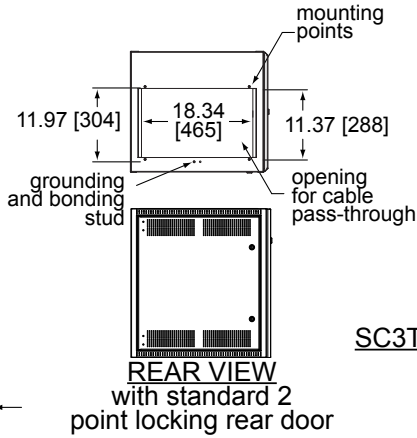


Top Monitor Rack and Connecting Wedge basic dimensions

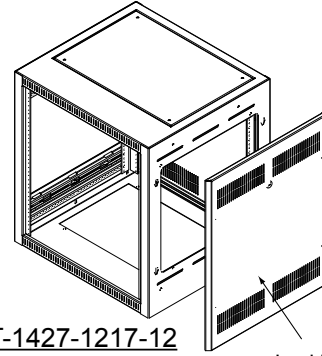
STRAIGHT FACE



BOTTOM VIEW



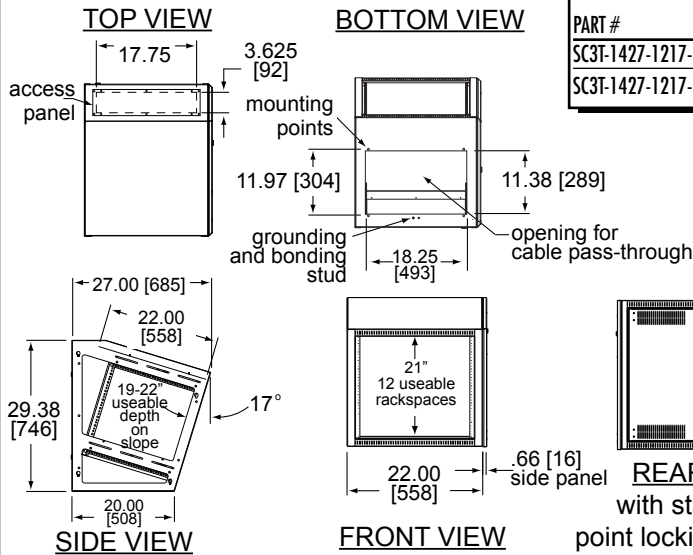
All dimensions in inches unless otherwise noted
[All bracketed dimensions are in millimeters]



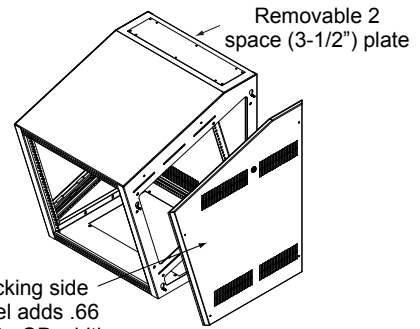
SC3T-1427-1217-12

Locking side panel adds .66 [16] to OD width

SLOPED FACE



PART #	RACKING HEIGHT/ RACKSPACES	SLOPE	OVERALL HEIGHT	OVERALL WIDTH	OVERALL DEPTH
SC3T-1427-1217-12BK	21" / 12 spaces	0°	24.1"	22"	20"
SC3T-1427-1217-1217BK	21" / 12 spaces	17°	29.38"	22"	27"



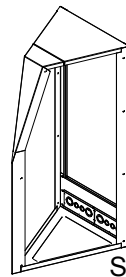
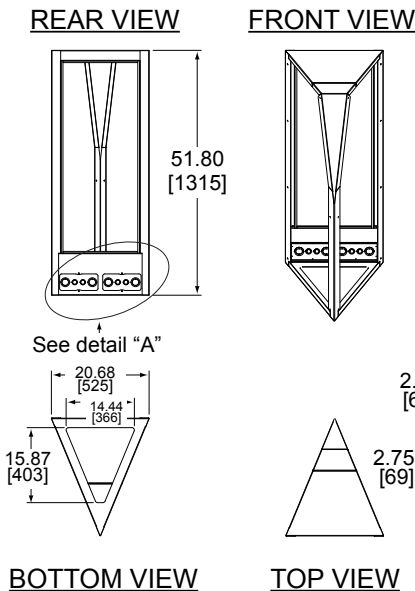
SC3T-1427-1217-1217

Locking side panel adds .66 [16] to OD width

Removable 2 space (3-1/2") plate

45° CONNECTING WEDGE

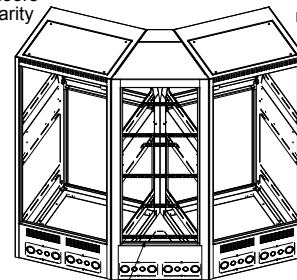
PART #	CONNECTS
SCW45-1427-1217BK	SC-1427-1217BK
SC3TW45-1427-1217-12BK	SC3T-1427-1217-12BK
SC3TW45-1427-1217-1217BK	SC3T-1427-1217-1217BK



SCW45-1427-1217

shown with standard rear doors removed for clarity

REAR VIEW

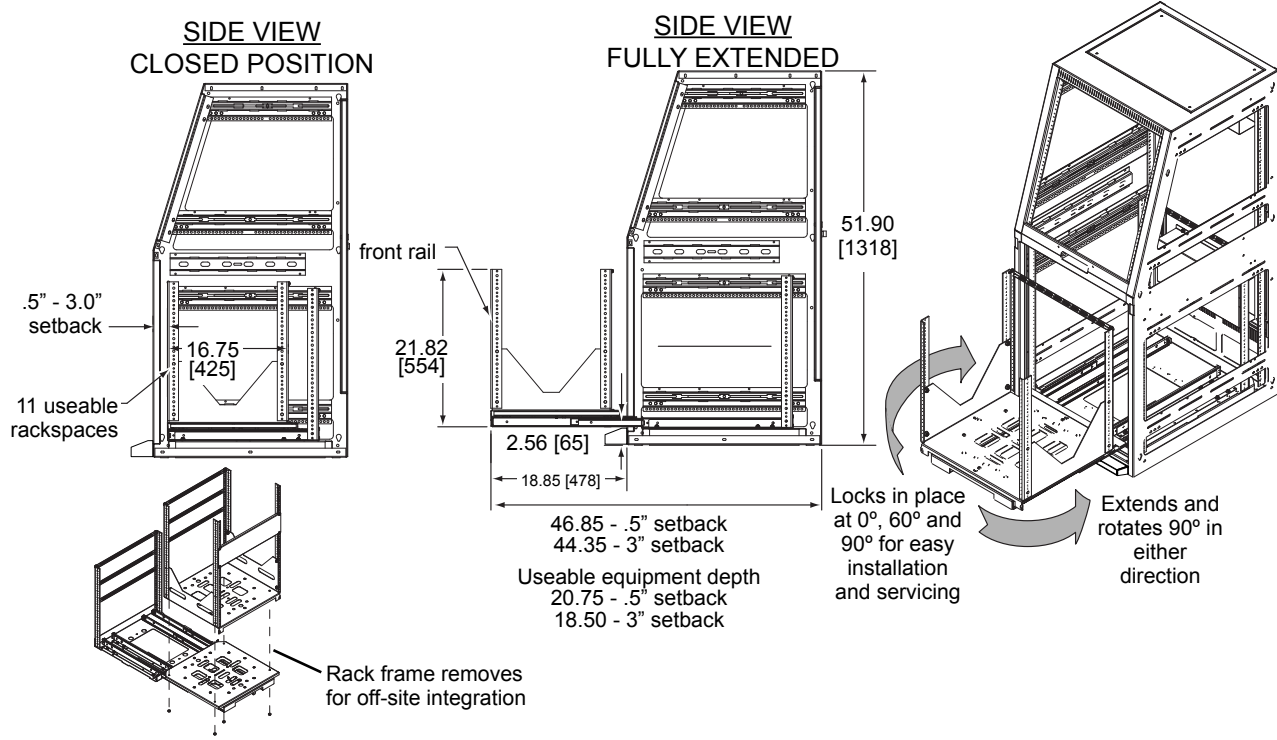


45° connecting wedge provides full access for cable management and power distribution

zero space wedge allows consoles to connect corner to corner saving valuable floor space



Rotating slide out rack and work surface basic dimensions



PART #	BOTTOM BAY RACKING HEIGHT	TOP BAY RACKING HEIGHT	OD HEIGHT	USEABLE DEPTH	OD DEPTH	OD WIDTH
SC-1427-1217BKS	19-1/4" (11 space)	21" (12 space)	51-7/8"	23"	27"	22"
SC-1427-1460BKS	19-1/4" (11 space)	24-1/2" (14 space)	42-3/4"	23"	27"	22"

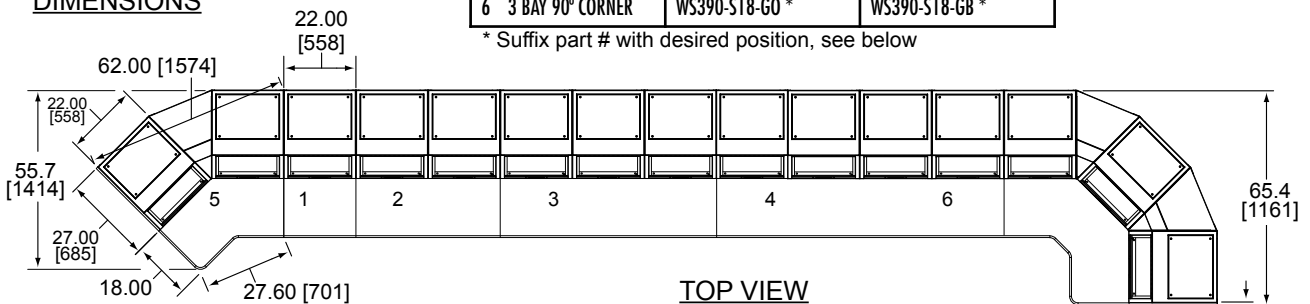


WORK SURFACES

DESCRIPTION	BEVELED OAK TRIM	BLACK T-MOLD TRIM
1 SINGLE BAY	WS1-S18-GO *	WS1-S18-GB *
2 TWO BAY STRAIGHT	WS2-S18-GO *	WS2-S18-GB *
3 THREE BAY STRAIGHT	WS3-S18-GO *	WS3-S18-GB *
4 FOUR BAY STRAIGHT	WS4-S18-GO *	WS4-S18-GB *
5 2 BAY 45° CORNER	WS245-S18-GO *	WS245-S18-GB *
6 3 BAY 90° CORNER	WS390-S18-GO *	WS390-S18-GB *

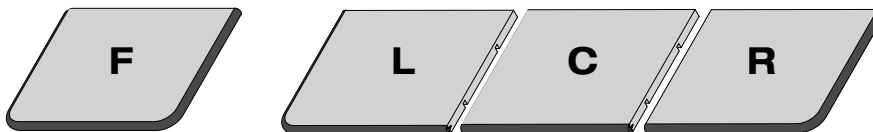
* Suffix part # with desired position, see below

DIMENSIONS



TOP VIEW

FINISH / POSITION



F = FINISHED ALL SIDES
L = RADIUS EDGE LEFT (RIGHT SIDE UNFINISHED)
(LEFT SIDE UNFINISHED)
C = CENTER (LEFT AND RIGHT UNFINISHED)
R = RADIUS EDGE RIGHT

All dimensions in inches unless otherwise noted