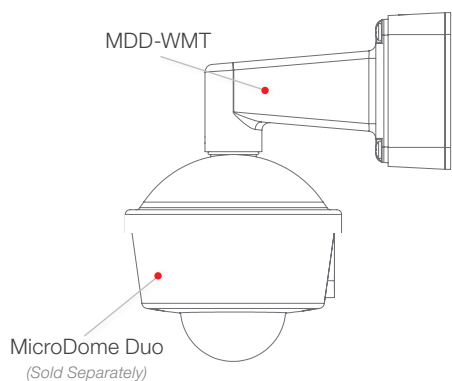


# MicroDome<sup>®</sup> Duo Accessories

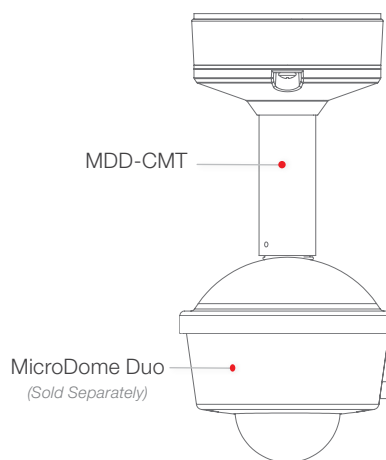
Accessories for MicroDome Duo Indoor/Outdoor Wall, Ceiling and Flush Mounting Solutions



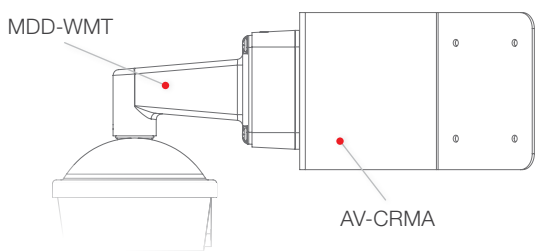
**Wall Mount Configuration**



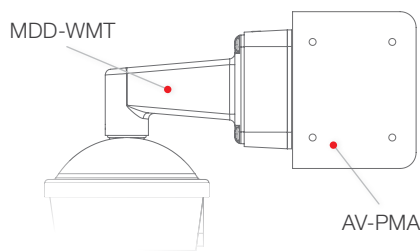
**Ceiling Mount Configuration**



**Wall Mount Configuration with Corner Mount Adapter**



**Wall Mount Configuration with Pole Mount Adapter**



Compatible Camera



**MicroDome<sup>®</sup> Duo**

## MDD-WMT

Wall Mount with Built-In Junction Box Adapter and Cap

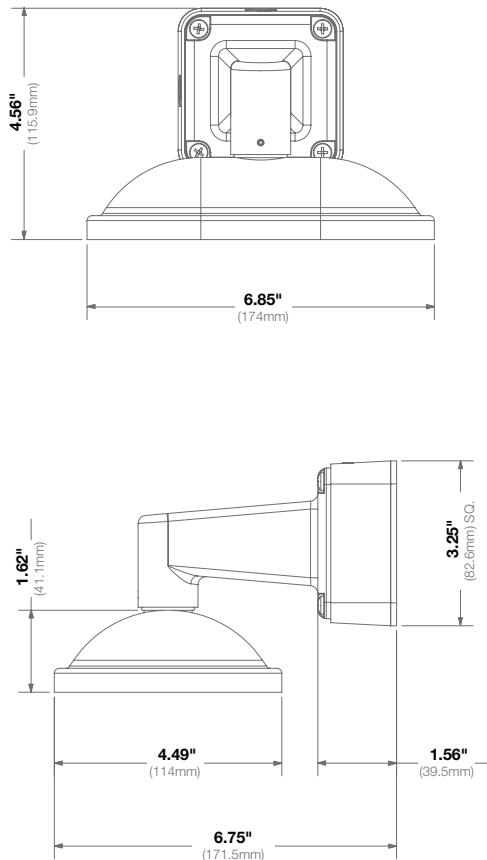


**Features:**

- Easy Installation and Superior Design
- Heavy Duty Enclosure Protection for Applications in Harsh Environments
- Die-Cast Aluminum is Resistant to Impact and Salt Damage

**Compatibility** Works with MicroDome Duo cameras

<b>Mechanical</b>	<b>Casing Material</b>	Aluminum
	<b>Color</b>	Ivory (Pantone® Cool Gray 1C)
	<b>Dimensions</b>	See Dimensional Drawings Below
	<b>Weight</b>	<b>w/o Camera</b> 1.47lbs (0.67kg)



## MDD-CMT

Ceiling Mount with Built-In Junction Box Adapter and Cap



**Features:**

- Easy Installation and Superior Design
- Heavy Duty Enclosure Protection for Applications in Harsh Environments
- Die-Cast Aluminum is Resistant to Impact and Salt Damage

**Compatibility** Works with MicroDome Duo cameras

<b>Mechanical</b>	<b>Casing Material</b>	Aluminum
	<b>Color</b>	Ivory (Pantone® Cool Gray 1C)
	<b>Dimensions</b>	See Dimensional Drawings Below
	<b>Weight</b>	<b>w/o Camera</b> 1.41lbs (0.64kg)

