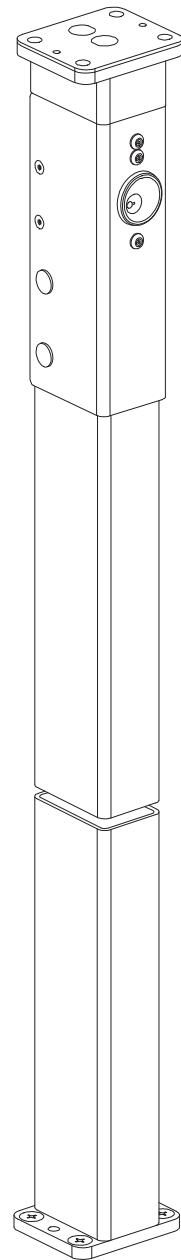


VON DUPRIN®

54 Series Mullions

Service manual



INDEX

General Information

Introduction	3
How to Order	3
Part Number Changes	3
54 Series Mullions Finishes	3

54 Series Mullions Parts

1654	4
4954	4
9954	6
5654	8
5754	8
4754	10
4854	10
9854	12
KR1654	14
KR4954	14
KR9854	16
KR9954	16
KR54 Retrofit Kit	18
KR54-F Retrofit Kit	19

INTRODUCTION

This manual contains a listing of replaceable parts and assemblies for the 54 Series Mullions.

HOW TO ORDER

Some parts are sold separately. Other items are available as part of a kit or multiple quantity package. For the best possible service when ordering replacement parts or assemblies, please provide the following information:

- Part number or assembly number
- Description
- Quantity needed
- Finish desired (if available finished)
- Date of original purchase (if known)

To find out the name of your local Von Duprin distributor or sales representative, contact:

Von Duprin Division
Allegion
2720 Tobey Drive
Indianapolis, IN 46219
Phone: (877) 671-7011

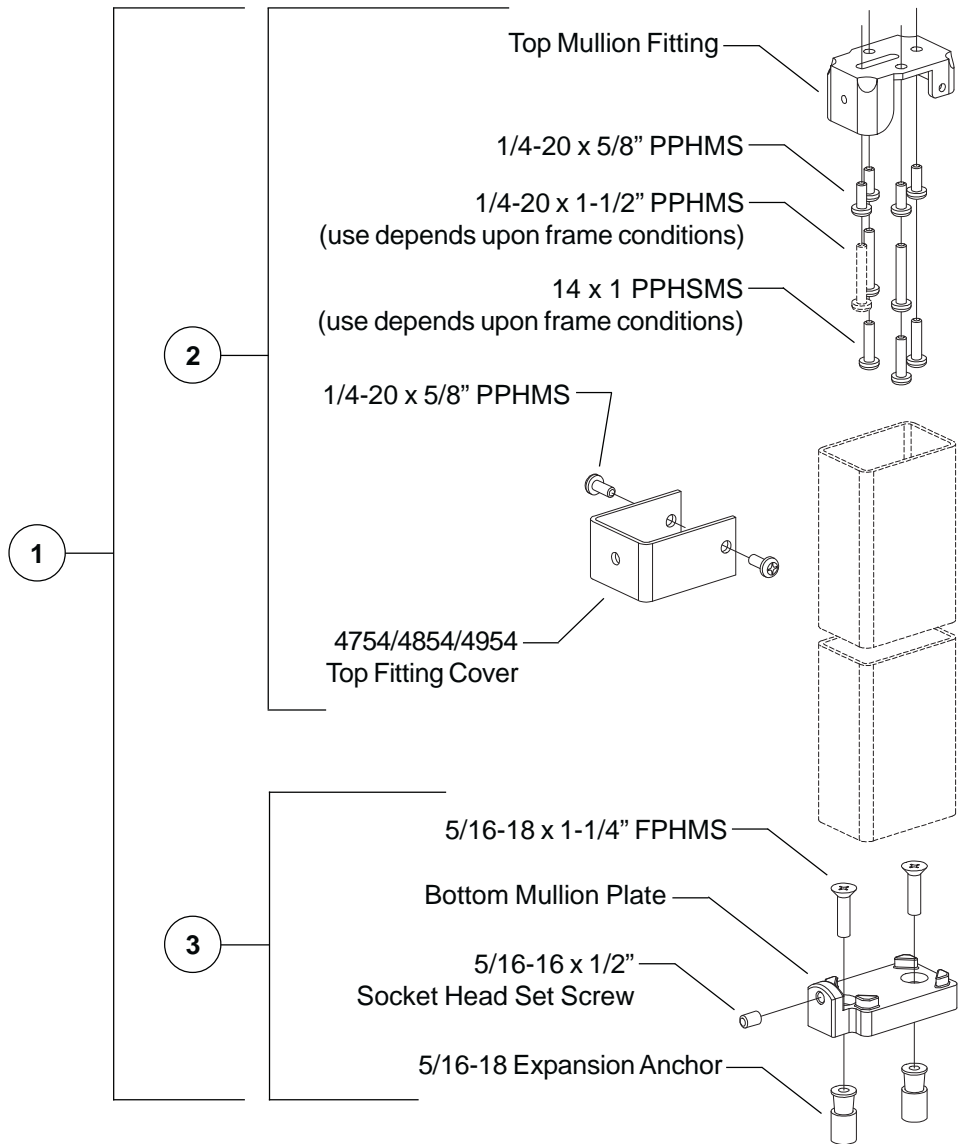
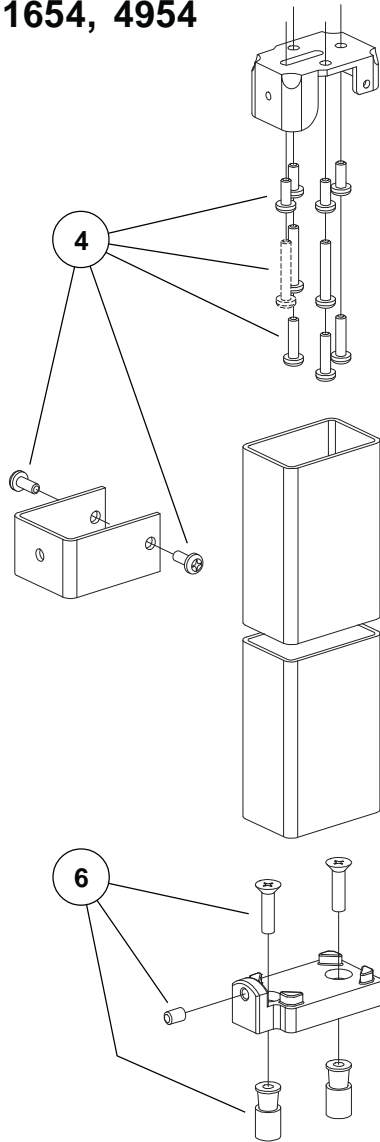
PART NUMBER AND AVAILABILITY CHANGES

This manual was designed to help illustrate the replacement parts and kits that are available for sale. Because of changes to the product and/or manufacturing process, part numbers and availability can change over time.

54 SERIES MULLIONS FINISHES

Mullion	US Number	BHMA Number	Color
5654 and 5754	US4	606	Brass, dull
	US10	612	Bronze, dull
	US28		
	313AN		
All others	SP28		
	SP313		

1654, 4954

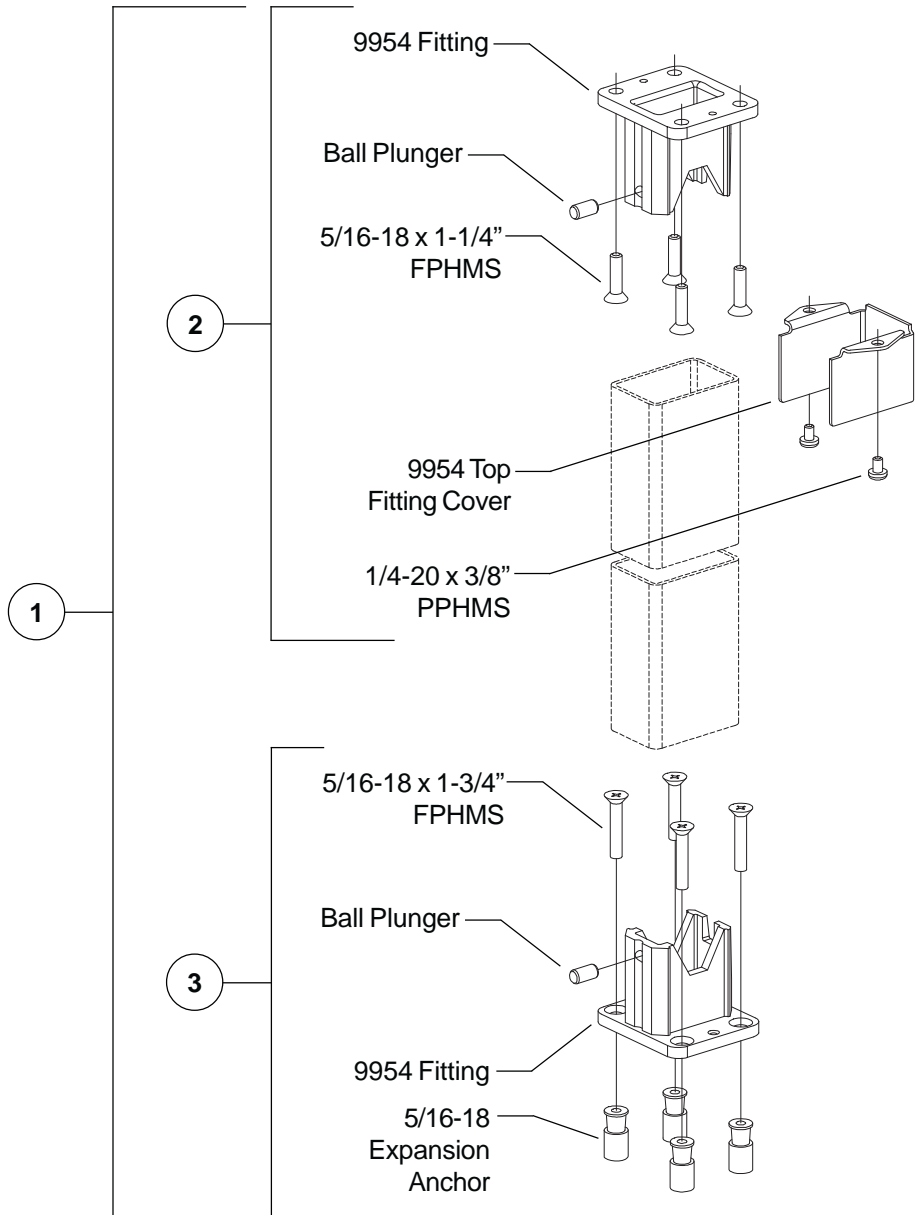
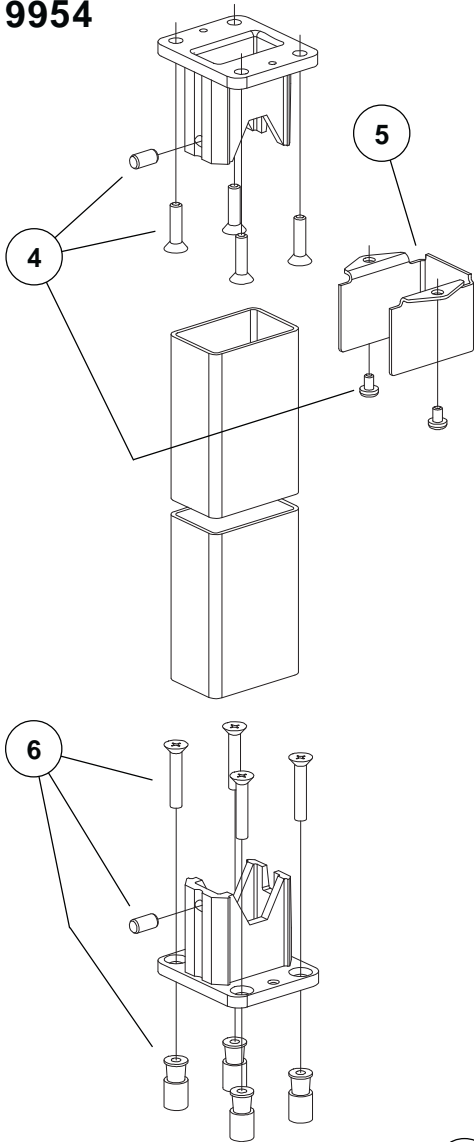


1654, 4954

Item No.	Part No.	Description	Quantity	Finish
1	050330	1654/4954 Fitting Set		X
		Top Mullion Fitting	1	
		4754/4854/4954 Top Fitting Cover	1	
		1/4-20 x 5/8" PPHMS	6	
		1/4-20 x 1-1/2" PPHMS	2	
		14 x 1" PPHSMS	3	
		Bottom Mullion Plate	1	
		5/16-18 x 1/2" Socket Head Set Screw	1	
		5/16-18 Expansion Anchor	2	
		5/16-18 x 1-1/4" FPHMS	2	
2	050335	4954 Top Fitting & Cover		X
		Top Mullion Fitting	1	
		4754/4854/4954 Top Fitting Cover	1	
		1/4-20 x 5/8" PPHMS	6	
		1/4-20 x 1-1/2" PPHMS	2	
		14 x 1" PPHSMS	3	
3	050390	4754/4854/4954 Bottom Fitting		X
		Bottom Mullion Plate	1	
		5/16-18 x 1/2" Socket Head Set Screw	1	
		5/16-18 Expansion Anchor	2	
		5/16-18 x 1-1/4" FPHMS	2	
4	900400	Mullion (Top) Screw Pkg.		
		1/4-20 x 5/8" PPHMS	6	
		1/4-20 x 1-1/2" PPHMS	2	
		14 x 1" PPHSMS	3	
5	961047	4754/4854/4954 Top Fitting Cover	1	X
6	900402	Mullion (Bottom) Screw Pkg.		
		5/16-18 x 1/2" Socket Head Set Screw	1	
		5/16-18 Expansion Anchor	2	
		5/16-18 x 1-1/4" FPHMS	2	

X in "Finish" column designates finished item; specify finish when ordering.

9954

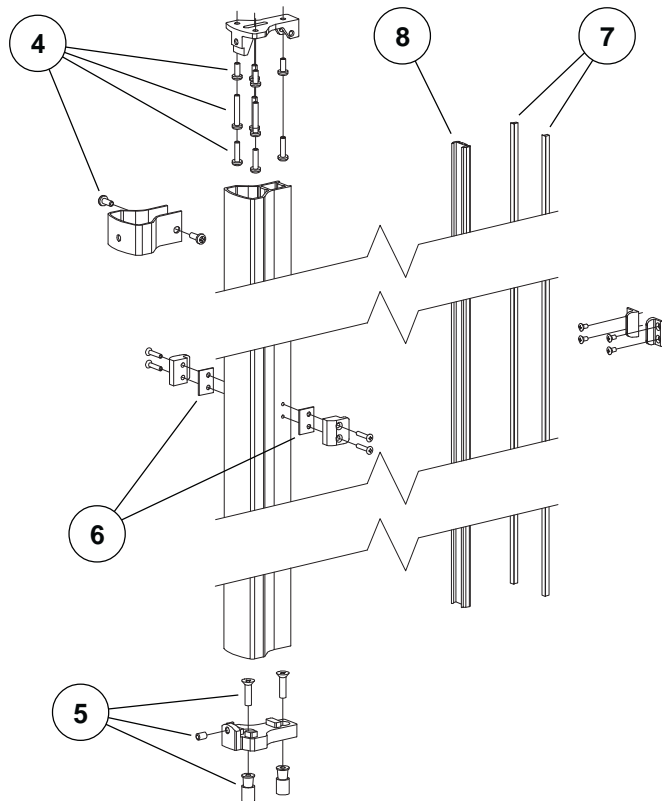
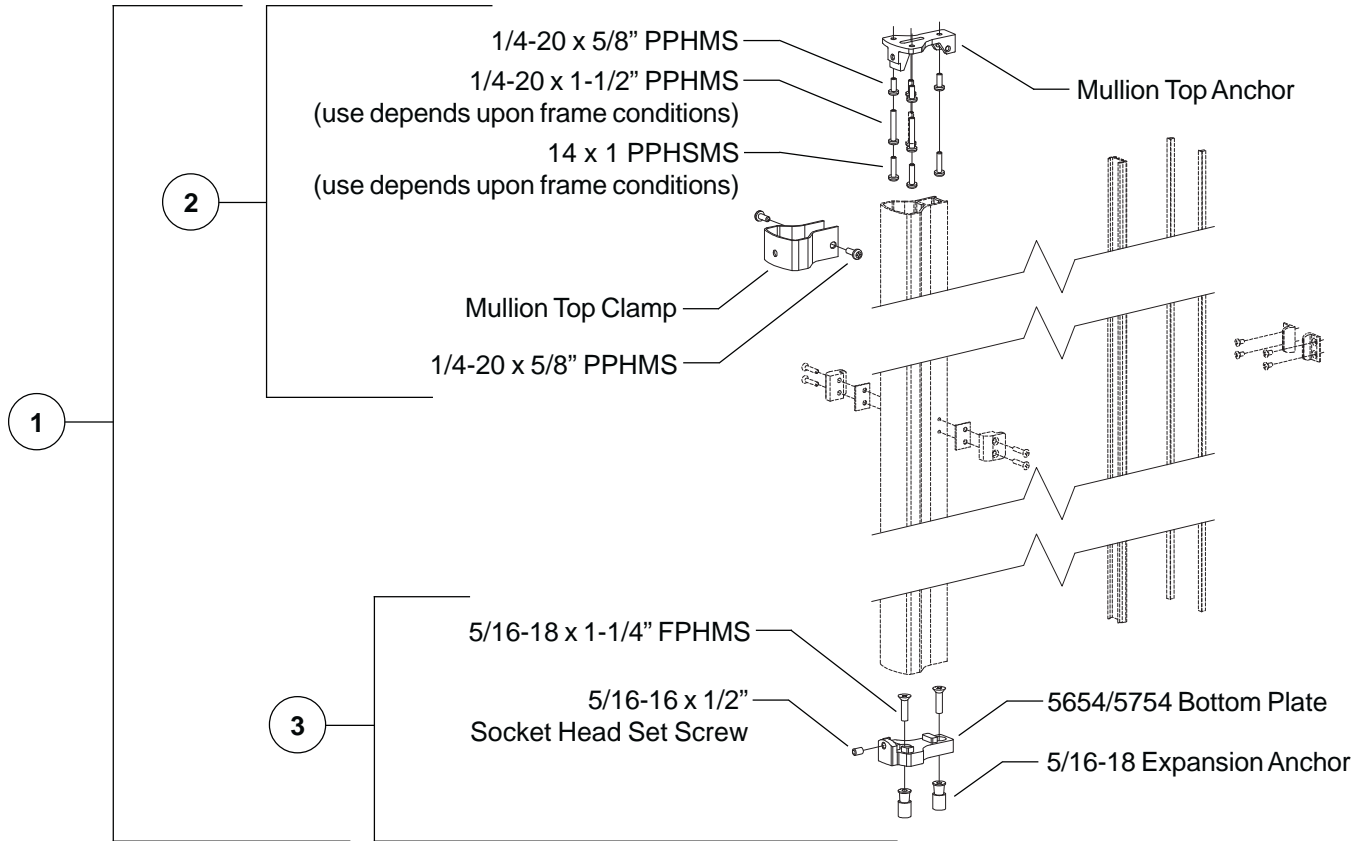


9954

Item No.	Part No.	Description	Quantity	Finish
1	050241	9954 Fitting Set		X
		9954 Fitting	1	
		9954 Top Fitting Cover	1	
		5/16-18 x 1-1/4" FPHMS	4	
		1/4-20 x 3/8" PPHMS	2	
		Ball Plunger	1	
		9954 Fitting	1	
		5/16-18 Expansion Anchor	4	
		5/16-18 x 1-3/4" FPHMS	4	
		Ball Plunger	1	
2	050391	9954 Top Fitting & Cover		X
		9954 Fitting	1	
		9954 Top Fitting Cover	1	
		5/16-18 x 1-1/4" FPHMS	4	
		1/4-20 x 3/8" PPHMS	2	
		Ball Plunger	1	
3	050392	9954 Bottom Fitting		X
		9954 Fitting	1	
		5/16-18 Expansion Anchor	4	
		5/16-18 x 1-3/4" FPHMS	4	
		Ball Plunger	1	
4	900413	9954 (Top) Screw Pkg.		
		5/16-18 x 1-1/4" FPHMS	4	
		1/4-20 x 3/8" PPHMS	2	
		Ball Plunger	1	
5	968645	9954 Top Fitting Cover		X
6	900411	9954 (Bottom) Screw Pkg.		
		5/16-18 Expansion Anchor	4	
		5/16-18 x 1-3/4" FPHMS	4	
		Ball Plunger	1	

X in "Finish" column designates finished item; specify finish when ordering.

5654, 5754

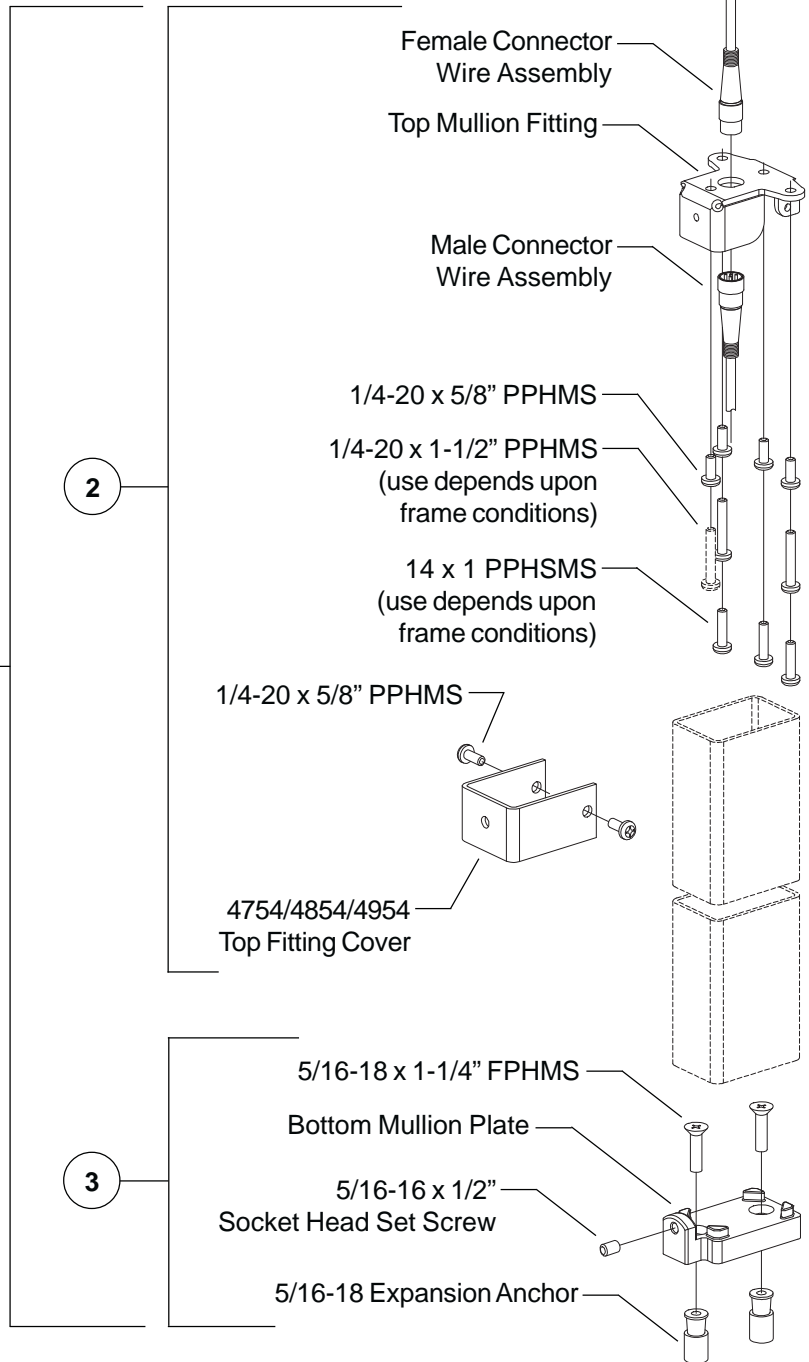
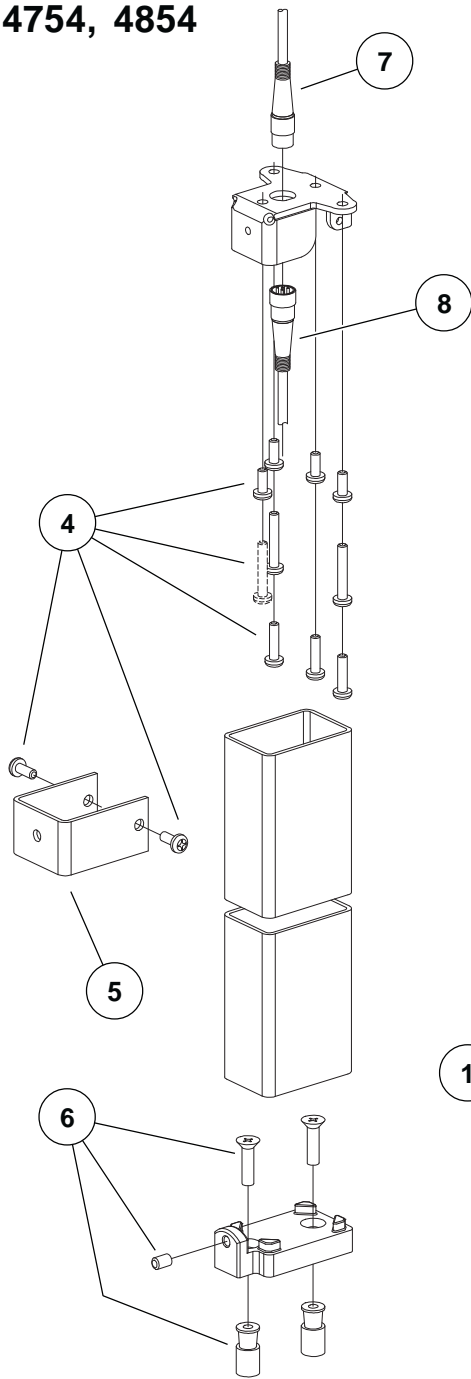


5654, 5754

Item No.	Part No.	Description	Quantity	Finish
1	050130	5654/5754 Fitting Set		X
		Mullion Top Anchor	1	
		Mullion Top Clamp	1	
		1/4-20 x 5/8" PPHMS	6	
		1/4-20 x 1-1/2" PPHMS	2	
		14 x 1" PPHSMS	3	
		5654/5754 Bottom Plate	1	
		5/16-18 x 1/2" Socket Head Set Screw	1	
		5/16-18 Expansion Anchor	2	
		5/16-18 x 1-1/4" FPHMS	2	
2	050135	5654/5754 Top Fitting & Cover		X
		Mullion Top Anchor	1	
		Mullion Top Clamp	1	
		1/4-20 x 5/8" PPHMS	6	
		1/4-20 x 1-1/2" PPHMS	2	
		14 x 1" PPHSMS	3	
3	050190	5654/5754 Bottom Fitting		X
		5654/5754 Bottom Plate	1	
		5/16-18 x 1/2" Socket Head Set Screw	1	
		5/16-18 Expansion Anchor	2	
		5/16-18 x 1-1/4" FPHMS	2	
4	900400	Mullion (Top) Screw Pkg.		
		1/4-20 x 5/8" PPHMS	6	
		1/4-20 x 1-1/2" PPHMS	2	
		14 x 1" PPHSMS	3	
5	900402	Mullion (Bottom) Screw Pkg.		
		5/16-18 x 1/2" Socket Head Set Screw	1	
		5/16-18 Expansion Anchor	2	
		5/16-18 x 1-1/4" FPHMS	2	
6	961530	Mullion Stabilizer Shim	1	
7	050580	Weatherstripping (10') Use 2 Per Mullion	1	
8	965712	5654 Mullion Edging - 7'	1	X
8	965713	5654 Mullion Edging - 8'	1	X
8	965714	5654 Mullion Edging - 10'	1	X

X in "Finish" column designates finished item; specify finish when ordering.

4754, 4854

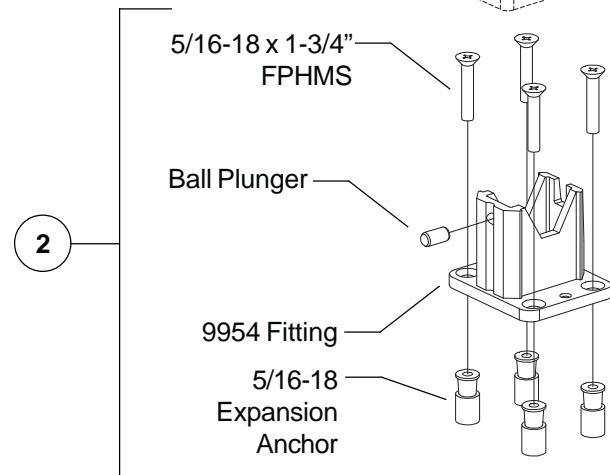
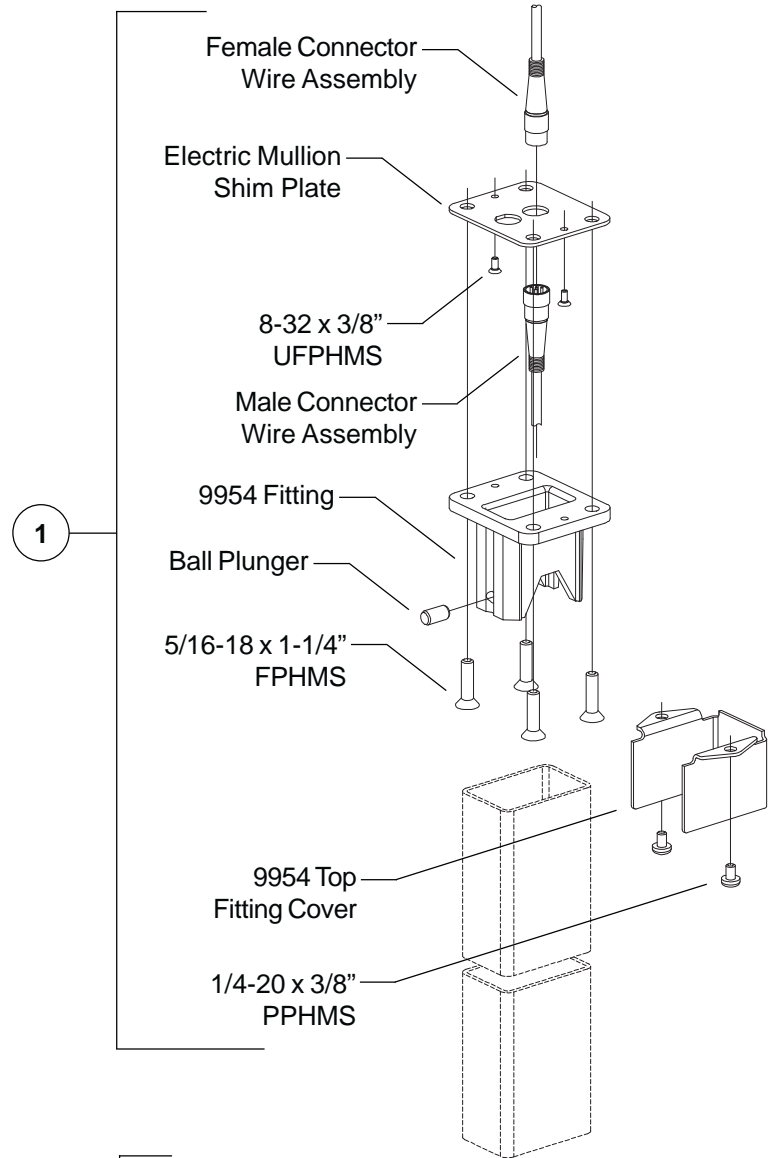
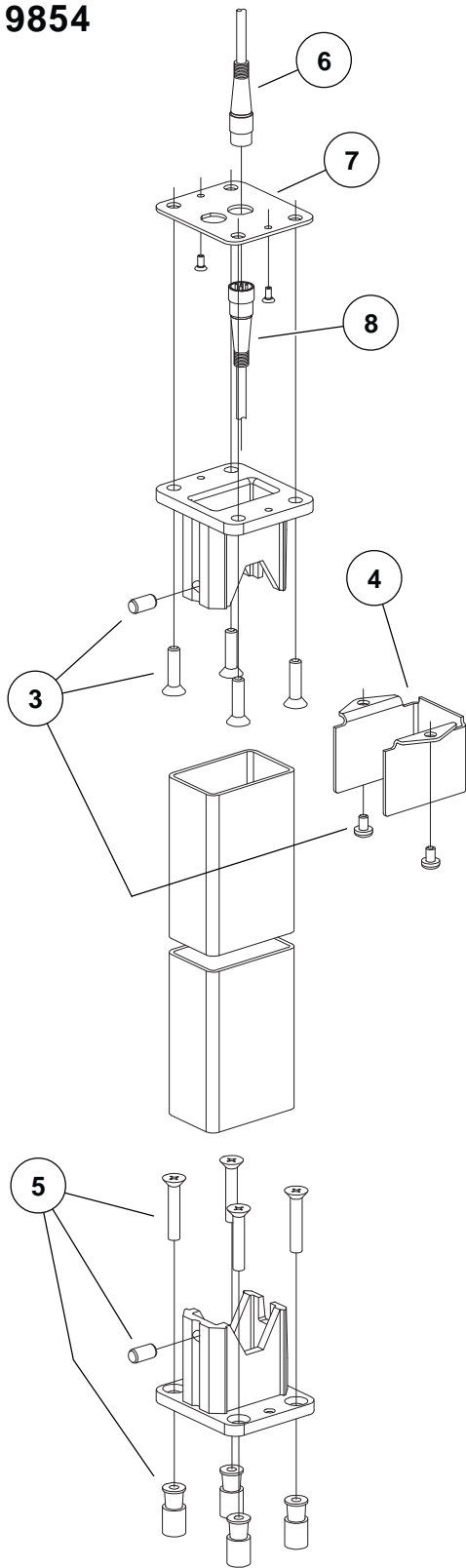


4754, 4854

Item No.	Part No.	Description	Quantity	Finish
1	050371	4754/4854 Fitting Set		X
		Male Connector Wire Assembly	1	
		Female Receptacle Wire Assembly	1	
		Top Mullion Fitting	1	
		Top Fitting Cover	1	
		1/4-20 x 5/8" PPHMS	6	
		1/4-20 x 1-1/2" PPHMS	2	
		14 x 1" PPHSMS	3	
		Bottom Mullion Plate	1	
		5/16-18 x 1/2" Socket Head Set Screw	1	
		5/16-18 Expansion Anchor	2	
		5/16-18 x 1-1/4" FPHMS	2	
2	050381	4754/4854 Top Electrical Fitting & Cover		X
		Male Connector Wire Assembly	1	
		Female Receptacle Wire Assembly	1	
		Top Mullion Fitting	1	
		Top Fitting Cover	1	
		1/4-20 x 5/8" PPHMS	6	
		1/4-20 x 1-1/2" PPHMS	2	
		14 x 1" PPHSMS	3	
3	050390	4754/4854/4954 Bottom Fitting		X
		Bottom Mullion Plate	1	
		5/16-18 x 1/2" Socket Head Set Screw	1	
		5/16-18 Expansion Anchor	2	
		5/16-18 x 1-1/4" FPHMS	2	
4	900400	Mullion (Top) Screw Pkg.		
		1/4-20 x 5/8" PPHMS	6	
		1/4-20 x 1-1/2" PPHMS	2	
		14 x 1" PPHSMS	3	
5	961047	4754/4854/4954 Top Fitting Cover		X
6	900402	Mullion (Bottom) Screw Pkg.		
		5/16-18 x 1/2" Socket Head Set Screw	1	
		5/16-18 Expansion Anchor	2	
		5/16-18 x 1-1/4" FPHMS	2	
7	105988-00	Female Receptacle Wire Assembly	1	
8	105987-00	Male Connector Wire Assembly	1	

X in "Finish" column designates finished item; specify finish when ordering.

9854

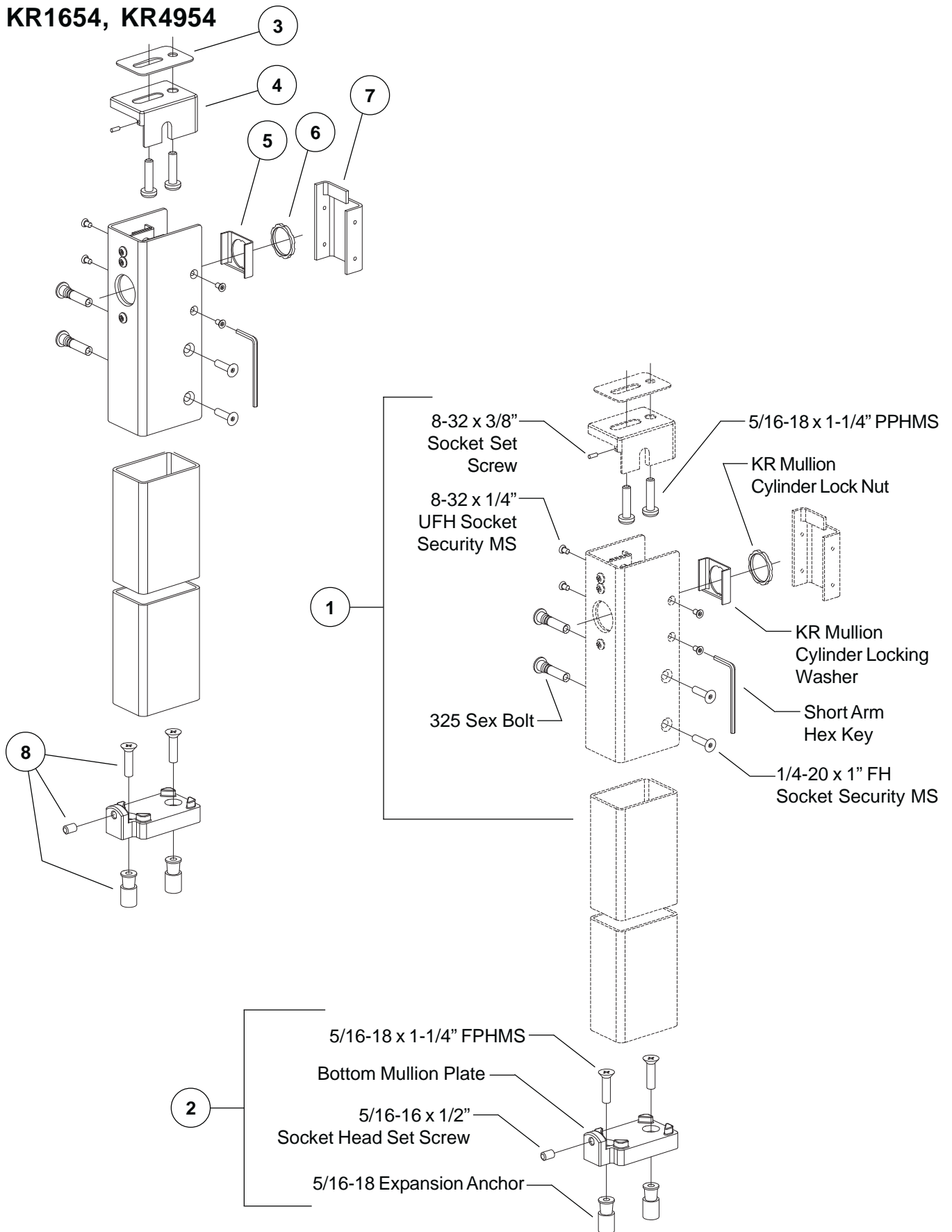


9854

Item No.	Part No.	Description	Quantity	Finish
1	050383	9854 Top Mullion Fitting Kit		X
		Male Connector Wire Assembly	1	
		Female Receptacle Wire Assembly	1	
		Electric Mullion Shim Plate	1	
		9954 Fitting	1	
		9954 Top Fitting Cover	1	
		5/16-18 x 1-1/4" FPHMS	4	
		1/4-20 x 3/8" PPHMS	2	
		8-32 x 3/8" UFPHMS	2	
Ball Plunger	1			
2	050392	9954 Bottom Fitting & Cover		X
		9954 Fitting	1	
		5/16-18 Expansion Anchor	4	
		5/16-18 x 1-3/4" FPHMS	4	
		Ball Plunger	1	
3	900413	9954 (Top) Screw Pkg.		
		5/16-18 x 1-1/4" FPHMS	4	
		1/4-20 x 3/8" PPHMS	2	
		Ball Plunger	1	
4	968645	9954 Top Fitting Cover		X
5	900402	9954 (Bottom) Screw Pkg.		
		5/16-18 Expansion Anchor	4	
		5/16-18 x 1-3/4" FPHMS	4	
		Ball Plunger	1	
6	105988-00	Female Receptacle Wire Assembly	1	
7	971313	Electric Mullion Shim Plate	1	X
8	105987-00	Male Connector Wire Assembly	1	

X in "Finish" column designates finished item; specify finish when ordering.

KR1654, KR4954

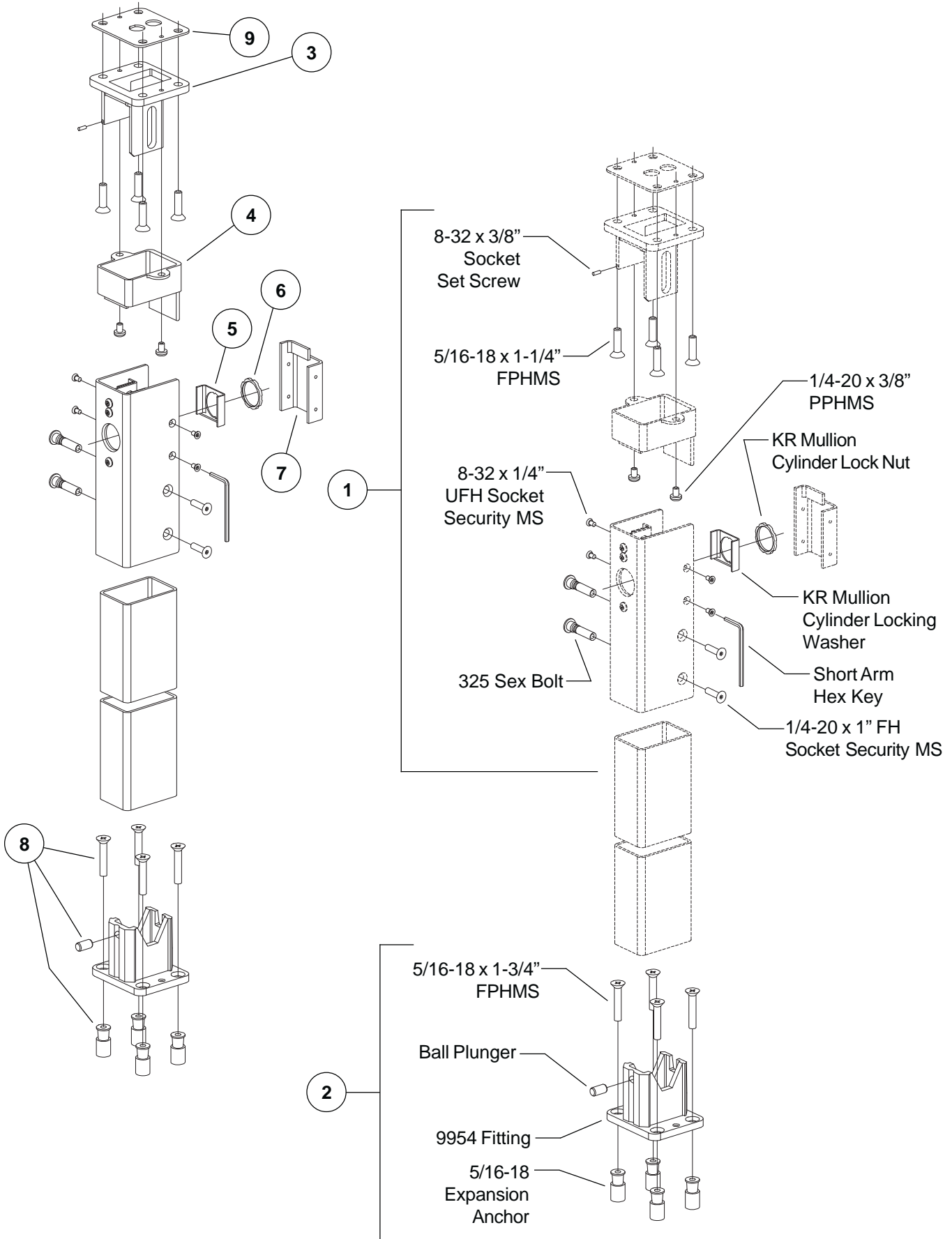


KR1654, KR4954

Item No.	Part No.	Description	Quantity	Finish
1	900409	KR1654/KR4954 Mullion Mounting Pkg.		X
		325 Sex Bolt	2	
		1/4-20 x 1 FH Socket Security MS	2	
		8-32 x 1/4" UFH Socket Security MS	4	
		Short Arm Hex Key	1	
		5/16-18 x 1-1/4" PPHMS	2	
		8-32 x 3/8" Socket Set Screw	1	
		KR Mullion Cylinder Locking Washer	1	
		Cylinder Locknut Nitched	1	
2	050390	4754/4854/4954 Bottom Fitting		X
		Bottom Mullion Plate	1	
		5/16-18 x 1/2" Socket Head Set Screw	1	
		5/16-18 Expansion Anchor	2	
		5/16-18 x 1-1/4" FPHMS	2	
3	971212	KR Shim Plate	1	
4	971340	KR1654/KR4954 Top Fitting	1	X
5	971328	KR Mullion Cylinder Locking Washer	1	
6	050526	KR Mullion Cylinder Lock Nut	1	
7	971187	KR Inner Mullion Back Cover Plate	1	X
8	900402	Mullion (Bottom) Screw Pkg.		
		5/16-18 x 1/2" Socket Head Set Screw	1	
		5/16-18 Expansion Anchor	2	
		5/16-18 x 1-1/4" FPHMS	2	

X in "Finish" column designates finished item; specify finish when ordering.

KR9854, KR9954



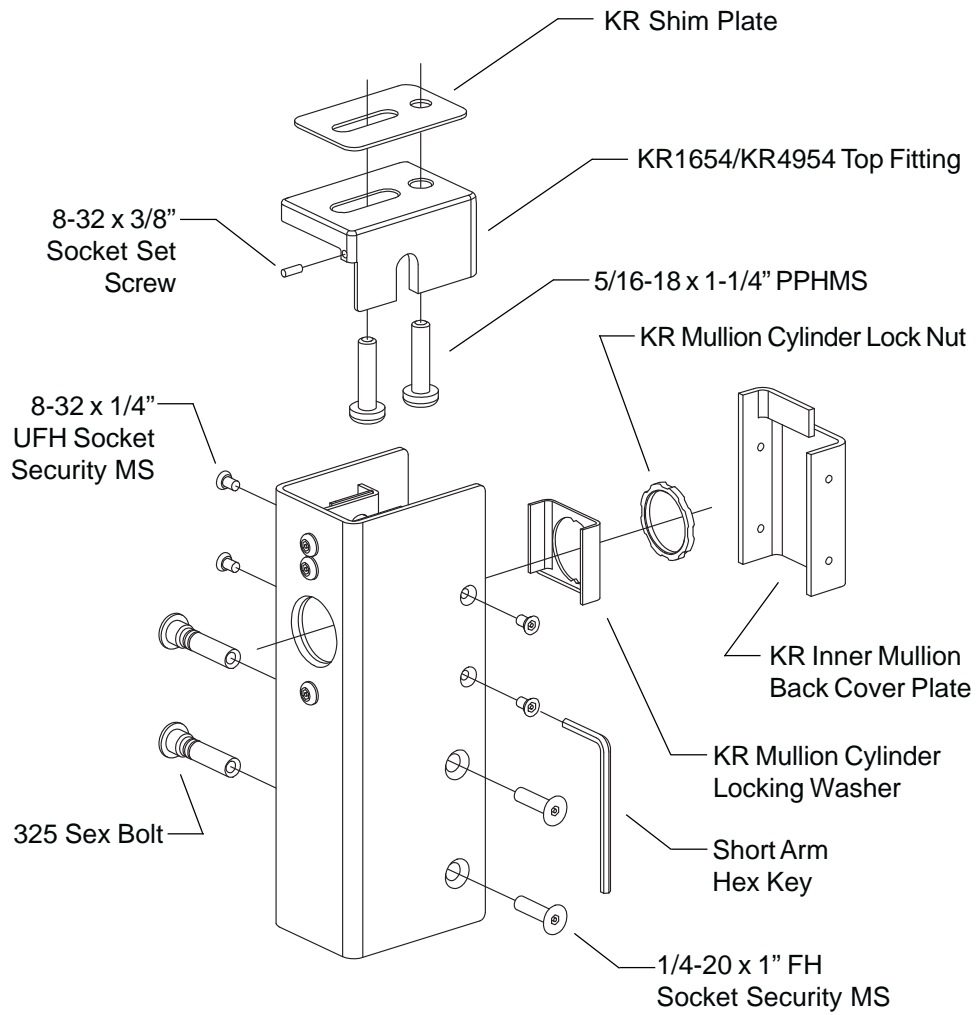
KR9854, KR9954

Item No.	Part No.	Description	Quantity	Finish
1	900410	KR9854/KR9954 Mullion Mounting Pkg.		X
		8-32 x 3/8" Socket Set Screw	1	
		5/16-18 x 1-1/4" FPHMS	4	
		8-32 x 1/4" UFH Socket Security MS	4	
		325 Sex Bolt	2	
		1/4-20 x 3/8" PPHMS	2	
		KR Mullion Cylinder Lock Nut	1	
		KR Mullion Cylinder Locking Washer	1	
		Short Arm Hex Key	1	
		1/4-20 x 1" FH Socket Security MS	2	
2	050392	9954 Bottom Fitting & Cover		X
		9954 Fitting	1	
		5/16-18 Expansion Anchor	4	
		5/16-18 x 1-3/4" FPHMS	4	
		Ball Plunger	1	
3	971312	KR9954 Top Fitting	1	X
4	971316	KR9854/KR9954 Fusible Spacer	1	X
5	971328	KR Mullion Cylinder Locking Washer	1	
6	050526	KR Mullion Cylinder Lock Nut	1	
7	971187	KR Inner Mullion Back Cover Plate	1	X
8	900402	9954 (Bottom) Screw Pkg.		
		5/16-18 Expansion Anchor	4	
		5/16-18 x 1-3/4" FPHMS	4	
		Ball Plunger	1	
9	971313	Electric Mullion Shim Plate	1	X

X in "Finish" column designates finished item; specify finish when ordering.

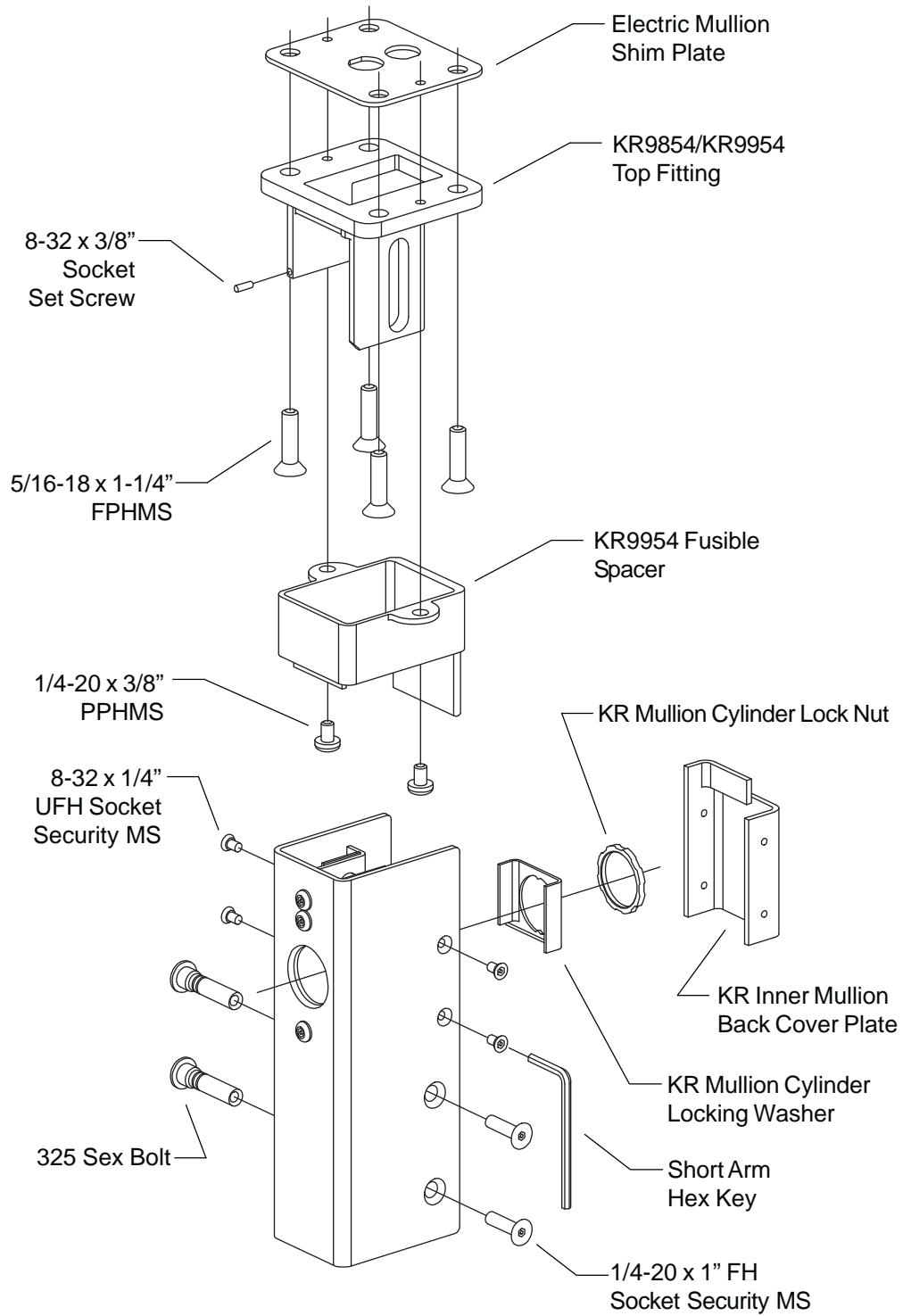
KR54 RETROFIT KIT

Specify finish when ordering



KR54-F RETROFIT KIT

Specify finish when ordering



About Allegion

Allegion (NYSE: ALLE) creates peace of mind by pioneering safety and security. As a \$2 billion provider of security solutions for homes and businesses, Allegion employs more than 7,800 people and sells products in more than 120 countries across the world. Allegion comprises 23 global brands, including strategic brands CISA®, Interflex®, LCN®, Schlage® and Von Duprin®.

For more, visit www.allegion.com.

aptiQ ■ LCN ■ **SCHLAGE** ■ STEELCRAFT ■ VON DUPRIN