

Bi-Directional Overhead Door-Track Mount Type For 2 1/2" Residential or 3 1/2" Commercial Rails



Contact Size: 3.21"Lx3.05"Wx1.84"H
(81.6mmx77.4mmx46.75mm)

Standard Magnet Size: 3.5"Lx3.96"Wx1.65"H
(88.8mmx100.5mmx41.95mm)

Standard Gap: 2.5"(64mm)

Colors: Aluminum Case

18"(458mm) Armored Leads Standard

36"(915mm) Armored Leads Available

Specifications

Part Number	Gap Inch(mm)	Loop Open/Closed	Reed Form	Max. Contact Rating (W)	Max. Initial Contact Resistance (mΩ)	Max. Switching Voltage (V)	Max. Switching Current (A)
TANE-96 Bi	2.5"(64)	CLOSED	Normally Open	10	100	AC110/DC100	0.5
* TANE-97 Bi Special Order	2.2"(55)	OPEN	Normally Closed	3	100	AC30/DC30	0.2
TANE-98 Bi	2.2"(55)	SPDT	SPDT	3	100	AC30/DC30	0.2
TANE-96 Bi LG	2.5"(64)	CLOSED	Normally Open	10	100	AC110/DC100	0.5
* TANE-97 Bi LG Special Order	2.2"(55)	OPEN	Normally Closed	3	100	AC30/DC30	0.2
TANE-98 Bi LG	2.2"(55)	SPDT	SPDT	3	100	AC30/DC30	0.2

OPERATING TEMPERATURE:-40°C to +60°C

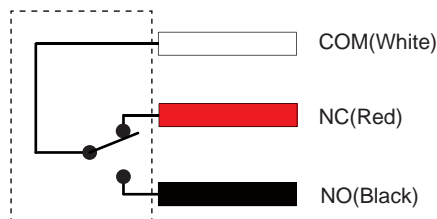
*SPECIAL ORDER - Call for Min. Order Qty. - Leadtime - Pricing

Note:

Use TANE-96 Bi Contacts for 2.5" Residential Tracks.

Use TANE-96 Bi LG Contacts for 3.5" Commercial Tracks.

TANE-98 Bi/TANE-98 Bi LG Wiring Diagram



The Best Guarantee Since 1984 : \$50-1

TANE ALARM PRODUCTS

906 JERICHO TURNPIKE, NEW HYDE PARK, NY 11040

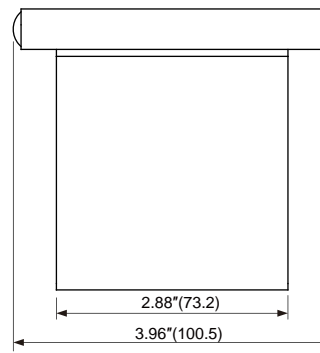
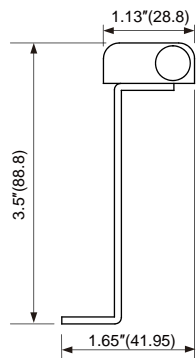
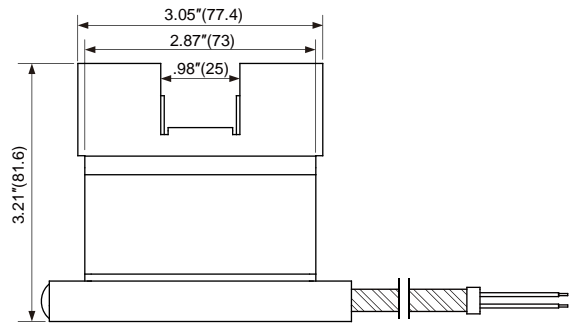
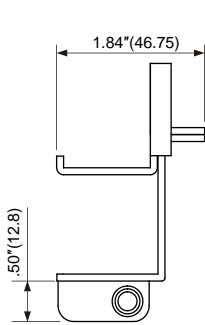
Tel: 800-852-5050 • 516-328-3351 • Fax: 516-326-9125

www.tanealarm.com • E-MAIL: info@tanealarm.com

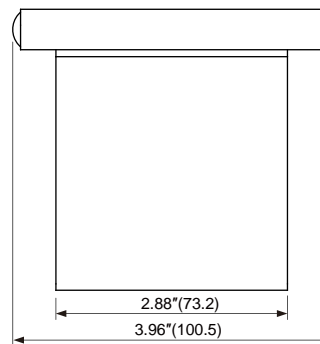
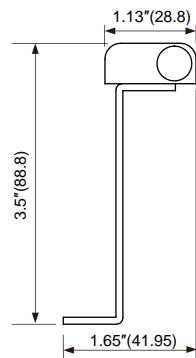
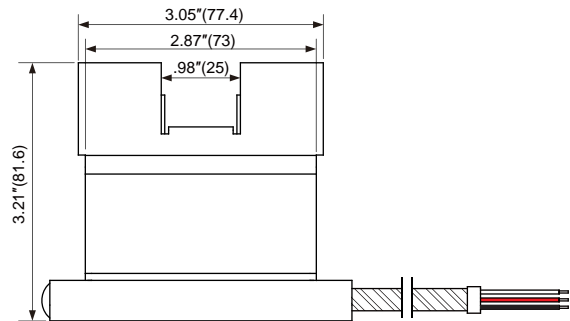
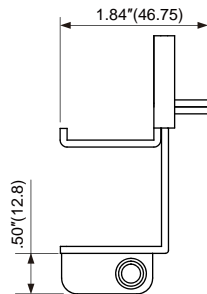
Outline Dimensions

Unit: inch(mm)

TANE-96 Bi/TANE-97 Bi



TANE-98 Bi



The Best Guarantee Since 1984 : \$50-1

TANE ALARM PRODUCTS

906 JERICHO TURNPIKE, NEW HYDE PARK, NY 11040

Tel: 800-852-5050 • 516-328-3351 • Fax: 516-326-9125

www.tanealarm.com • E-MAIL: info@tanealarm.com