

ROFU® STRIKES	Faceplate Size	Frame Jamb Type			Mortise Lock	Cylindrical Lock	Reversible Hand?	Max. Latch Proj.		Fail Safe	Fail Secure
		Wood	Alum.	Metal				5/8"	3/4"		
Standard Duty 1500 Series, 1000 lb. Tamper Resistance											
1501	1 1/4" x 5 7/8"	•			•	•	Y	✓			✓
1505	1 1/4" x 5 7/8"	•			•	•	Y	✓			✓
1507	1 1/8" x 2 3/4"	•	•	•	•	•	Y	✓			✓
1508	1 1/8" x 5 7/8"	•	•	•	•	•	Y	✓			✓
1509	1 7/16" x 7 15/16"	•	•	•	•	•	Y	✓			✓
1512	Rim Narrow	•	•	•	•	•	Y	✓			✓
Standard Duty 1400 Series, 1400 lbs. Tamper Resistance											
1401	1 1/4" x 5 7/8"	•			•	•	Y	✓			✓
1402	1 1/4" x 4 7/8"		•	•	•	•	Y	✓			✓
1402 RADIUS	1 1/4" x 4 7/8"		•		•	•	Y	✓			✓
1403	1 1/4" x 6 7/8"		•	•	•	•	Y	✓			✓
1403 RADIUS	1 1/4" x 6 7/8"		•		•	•	Y	✓			✓
1404	1 7/16" x 7 15/16"	•	•	•	•	•	Y	✓			✓
High Security 1400 Series, 1700 lbs. Tamper Resistance											
1430 (LH or RH)	1 1/4" x 4 7/8"		•	•	•		N	✓			✓
1440 (LH or RH)	1 1/4" x 4 7/8"		•	•	•		N	✓			✓
1450	1 1/4" x 4 7/8"		•	•	•	•	Y	✓			✓
1460	1 3/8" x 9"	•	•	•	•	•	Y	✓			✓
1460B (LH or RH)	1 3/8" x 9"	•	•	•	•	•	N	✓			✓
1470	1 3/8" x 9"	•	•	•	•	•	Y	✓			✓
1470B (LH or RH)	1 3/8" x 9"	•	•	•	•	•	N	✓			✓
Standard Duty 1700 & 1800 Series, 1000 lbs. Tamper Resistance, Adjustable Keeper											
1701	1 1/4" x 5 7/8"	•			•	•	Y	✓			✓
1702	1 1/4" x 4 7/8"	•	•	•	•	•	Y	✓			✓
1702 RADIUS	1 1/4" x 4 7/8"		•		•	•	Y	✓			✓
1703	1 1/4" x 6 7/8"	•	•	•	•	•	Y	✓			✓
1703 RADIUS	1 1/4" x 6 7/8"		•		•	•	Y	✓			✓
1704	1 7/16" x 7 15/16"	•	•	•	•	•	Y	✓			✓
1802	1 1/4" x 4 7/8"	•	•	•	•	•	Y	✓			✓
1803	1 1/4" x 6 7/8"	•	•	•	•	•	Y	✓			✓
1804	1 7/16" x 7 15/16"	•	•	•	•	•	Y	✓			✓
High Security 2400 Series, 1500 lbs. Tamper Resistance											
2400 - kit											
2402	1 1/4" x 4 7/8"	•	•	•	•	•	Y	✓			✓
2404	1 7/16" x 7 15/16"	•	•	•	•	•	Y	✓			✓
Standard Duty 3400 Series, 1400 lbs. Tamper Resistance (FAIL SAFE)											
3401	1 1/4" x 5 7/8"	•			•	•	Y	✓			✓
3402	1 1/4" x 4 7/8"		•	•	•	•	Y	✓			✓
3402 RADIUS	1 1/4" x 4 7/8"		•		•	•	Y	✓			✓
3403	1 1/4" x 6 7/8"		•	•	•	•	Y	✓			✓
3403 RADIUS	1 1/4" x 6 7/8"		•		•	•	Y	✓			✓
3404	1 7/16" x 7 15/16"	•	•	•	•	•	Y	✓			✓
High Security 3400 Series, 1700 lbs. Tamper Resistance (FAIL SAFE)											
3430 (LH or RH)	1 1/4" x 4 7/8"		•	•	•		N	✓			✓
3440 (LH or RH)	1 1/4" x 4 7/8"		•	•	•		N	✓			✓
3450	1 1/4" x 4 7/8"		•	•	•	•	Y	✓			✓
3460	1 3/8" x 9"	•	•	•	•	•	Y	✓			✓
3460B (LH or RH)	1 3/8" x 9"	•	•	•	•	•	N	✓			✓
3470	1 3/8" x 9"	•	•	•	•	•	Y	✓			✓
3470B (LH or RH)	1 3/8" x 9"	•	•	•	•	•	N	✓			✓
Rim Mount, Exit Device 1960 Fail Secure 3960 Fail Safe, 1700 lbs. Tamper Resistance											
1960	1 3/4" x 9 7/16"	•	•	•			Exit Device	✓			✓
3960	1 3/4" x 9 7/16"	•	•	•			Exit Device	✓			✓



ROFU® ELECTRIC STRIKE MODEL 1501

1501 - SERIES, FACEPLATE SIZE 1¼" x 5⅞"

MODEL 1501 — Fail - Secure (Non Fail - Safe)

Front Mounted Faceplate

Electric strikes for use with mortise and cylindrical locksets.

For Commercial and Residential, New and Retrofit Uses



1501
Non-Handed

Standard Features

- Steel Faceplate
- Frame Type - Wood
- Corrosion - Resistant case and moving parts.
- Tamper Strength Test - 1000 lbs (454kg)
- Cycle Test 500,000 cycles
- Keeper Depth - **5/8"** Maximum Latch Projection possible with 1/8" Door/Frame Clearance - **3/4"**
- Strike Depth 1.43" Overall
- Reversible - Non Handed
- Limited Warranty - **36 Months**

Available in the following Voltages and Finishes:

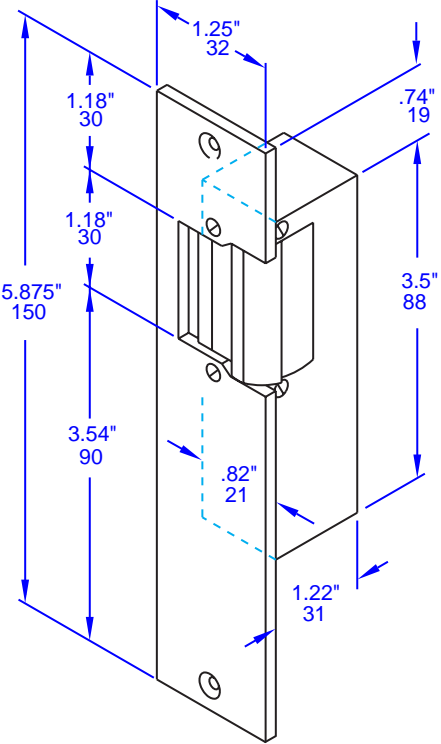
Specify Finish xUS26D or xUS4
Voltage, Fail Secure x01=8-16VAC/3-6VDC
 x05=12VAC/12VDC
 x08=24VAC/24VDC



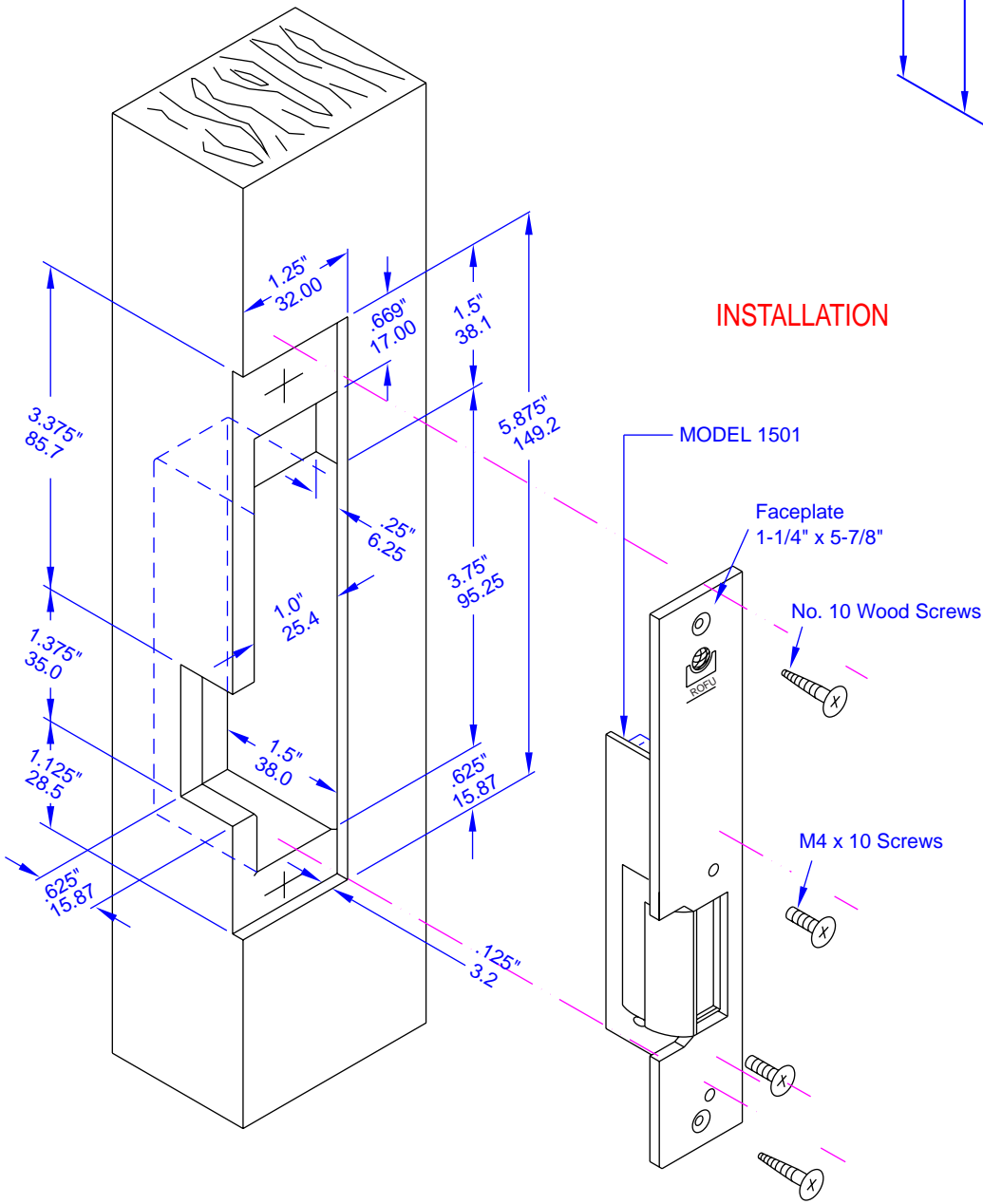


LINE ART FOR 1501

WOOD JAMB PREPARATION



INSTALLATION



NOT TO SCALE - TECHNICAL DATA SUBJECT TO CHANGE WITHOUT NOTICE