

NTSC WV-CW634S (24 V AC or 12 V DC) PAL WV-CW630S (220 - 240 V AC)
WV-CW634F (24 V AC or 12 V DC) WV-CW634S (24 V AC or 12 V DC)



Super Dynamic 6 Vandal Resistant Fixed Dome Camera with ABS (Adaptive Black Stretch), and ABF (Auto Back Focus)

Key Features

- **Super Dynamic 6** delivers Superior image by fusion of Super Dynamic, ABS (Adaptive Black Stretch) and VMD (Video Motion Detection) intelligence technology.
- Newly developed CCD with 976 of horizontal pixels has led to the horizontal resolution of as high as 700 TV lines typical.
- High sensitivity with Day/Night (ICR*) function: 0.08 lx (Color), 0.008 lx (B/W) at F1.4 (Wide).
*ICR: IR Cut filter Removal
IR cut filter switches on/off to enhance the sensitivity in B/W mode.
- VMD (Video Motion Detection) including video motion detection, scene change detection when lens is covered, spray painted, removed or defocused
- ABF (Auto Back Focus) ensures easy installation and stable focus in both color and B/W modes.
- 3-dimensional color conversion function for natural color reproduction even in lower color temperature situation
- Adaptive Digital Noise Reduction: Integration of 2D-DNR and 3D-DNR ensures noise reduction in various conditions.
- Electronic sensitivity enhancement: Auto (Up to 32x) / Manual (Up to 32x)
- Electronic shutter from 1/100 (NTSC), 1/120 (PAL) to 1/120,000 sec.
- 3.8 to 8.0 mm, 2.1x Varifocal Auto Iris lens with 2x digital zoom
- Auto Image Stabilizer for applications where vibration or wind is a concern
- Internal / Multiplexed Vertical Drive (VD2)* synchronization
- Over the coaxial cable data communication
- 16 alphanumeric camera title display
- Multi language: English, Italian, French, German, Spanish, Portuguese, Russian, Chinese, Japanese
- IP66 rated water and dust resistant.
Compatible with IEC60529 measurement standard.

- Vandal resistant mechanism for high reliability
- Monitor output for easier installation
- 3-way hinge (horizontal, vertical and swivel rotation) for easy installation
- 2 pcs. mounting bracket structure for easy cable connection
- Various mounting options: Flush mount (F type), Surface mount (S type), Embedded ceiling mount (with optional WV-Q169A)
- Optional heater maintains operating temperature -30°C to $+60^{\circ}\text{C}$ (-22°F to 140°F)
- **Fog compensation function** equipped as standard.
- **HLC (High Light Compensation)** technology reduces strong light sources such as vehicle headlights to prevent camera being blinded.

*NTSC model only

Standard Accessories

• CD-ROM (including Operating Instructions) ... 1 pc.	• Fixing Screws for Camera Mount Bracket (M4 x 8) (for WV-CW630S/WV-CW634S) ... 5 pcs.
• Installation Guide..... 1 pc.	• Attachment plate..... 1 pc.
• Camera Mount Bracket (for WV-CW634S/WV-CW630S).... 1 pc.	• Bit for Tamperproof Screw..... 1 pc.
	• Waterproof tape..... 1 pc.

Optional Accessories

Mount Bracket for WV-CW634F WV-Q115A	Embedded Ceiling Mount Bracket WV-Q169A	Smoke Dome Cover WV-CW4SA	Heater Unit WV-CW5HA

Specifications

TV System	NTSC	PAL
Type	WV-CW634S : Surface mount type	
	WV-CW634F : Flush mount type	WV-CW630S : Surface mount type
Camera	Image Sensor : 1/3 inch interline transfer CCD	
	Effective Pixels : 976 (H) x 494 (V)	976 (H) x 582 (V)
	Scanning Mode : 2 : 1 interface scan	
	Scanning Area : 4.8 (H) x 3.6 (V) mm {3/16" x 5/32"} Scanning Frequency : Horizontal : 15.734 kHz Vertical : 59.94 Hz	
	Scanning Line : 525 lines	
	Resolution : Horizontal : 700 TV lines or more Vertical : 350 TV lines or more (at center)	
	Minimum Illumination*1 : Color : 0.08 lx, 0.0024 lx ² (SENS UP: 32x) at F1.4 B/W : 0.008 lx, 0.00024 lx ² (SENS UP: 32x) at F1.4	
	Signal-to-Noise Ratio : 52 dB (AGC Off)	
	White Balance : ATW1 (2,700 - 6,000 K), ATW2 (2,000 - 6,000 K), or AWC (2,000 - 10,000 K)	
	Light Control : ALC / ALC+ / ELC	
	AGC : On (High / Mid / Low) / Off	
	Super Dynamic 6 : On / On	
	Dynamic Range : 52 dB typical (Super Dynamic 6 On) 54 dB typical (Super Dynamic 6 On)	
	Electronic Shutter : Off (1/60), 1/100, 1/250, 1/500, 1/1,000, 1/2,000, 1/4,000, 1/10,000, 1/120,000 s	
	Electronic Sensitivity UP : OFF / AUTO (2x, 4x, 6x, 10x, 16x, 32x) / FIX (2x, 4x, 6x, 10x, 16x, 32x, 64x, 128x, 256x, 512x)	
	Digital Noise Reduction : High / Low	
	Black and White Mode : Mode : AUTO1 / AUTO2 / On / Off	
	Fog compensation : On / Off	
	High light compensation(HLC) : On(1) / On(2) / Off	
	Electronic zoom : On (Up to 2x) / Off	
	Scene File : 2 patterns	
	VMD (Video Motion Detection) : Off / Video Motion Detection / Scene Change Detection	
	Privacy Zone : On (1) / On (2) / Off	
	Auto Image Stabilizer : On / Off	
	Camera Title : Up to 16 characters	
	Lens Mount : CS-mount	
	Auto back focus : ABF / MANUAL / switching between color and BW interlocking	
	Synchronization : INT (internal sync) / VD2 INT (internal sync)	
Lens	Focal Length : 3.8 - 8.0 mm, 2.1x varifocal	
	Angular Field of View : Horizontal : 33.6° (TELE) - 74.9° (WIDE) Horizontal : 33.6° (TELE) - 74.9° (WIDE) Vertical : 25.2° (TELE) - 55.7° (WIDE) Vertical : 25.1° (TELE) - 55.4° (WIDE)	
	Maximum Aperture Ratio : 1 : 1.4 (Wide) - 1 : 1.9 (Tele)	
	Focusing Range : 1.2 m (3.9 ft.) - ∞	
	ALC Drive : DC	
Pan and Tilt	Panning Range : ±170°	
	Tilting Range : ±75°	
	Azimuth Range : ±100°	
Input / Output	Video Output : VBS : 1.0 V [p-p] / 75 Ω, NTSC, BNC connector VBS : 1.0 V [p-p] / 75 Ω, PAL, BNC connector	
	Monitor Output : VBS : 1.0 V [p-p] / 75 Ω, NTSC, RCA jack VBS : 1.0 V [p-p] / 75 Ω, PAL, RCA jack	
General	Setup Method : OSD setup menu	
	Language : English, Italian, French, German, Spanish, Portuguese, Russian, Chinese, Japanese	
	Safety/EMC Standard : UL (UL60665), FCC (Part15 ClassA), CE (EN60065, EN55022 ClassB, EN55024), C-UL (CAN/CSA C22.2 No.60065), DoC (ICES003 ClassA)	
	Power Source and Power Consumption : WV-CW634S : 24 V AC 60 Hz, 3.0 W, 13.2W ³ 12 V DC, 241 mA ⁴ WV-CW630S : 220 - 240 V AC 50 Hz, 4.6 W, 15.3 W ³ WV-CW634S : 24 V AC 50 Hz, 3.0 W, 13.2 W ³ 12 V DC, 237 mA ⁴	
	Ambient Operating Temperature : -10 °C to +60 °C (14 °F to 140 °F) -30 °C to +60 °C (-22 °F to 140 °F) ³	
	Ambient Operating Humidity : 10 % to 90 % (no condensation)	
	Water and Dust Resistance : IP66, IEC60529 measurement standard compatible	
	Impact Protection : 50J, IEC60068-2-75	
	Dimensions : WV-CW634S : ø164 mm x 146 mm (H), 191.5 mm (W) (Base Cover) ø6-7/16" x 5-3/4" (H), 7-9/16" (W) (Base Cover)	
	WV-CW634F : ø154 mm x 145.5 mm (H) ø6-1/16" x 5-3/4" (H)	WV-CW630S : ø164 mm x 146 mm (H), 191.5 mm (W) (Base Cover) ø6-7/16" x 5-3/4" (H), 7-9/16" (W) (Base Cover)
	Mass (approx.) : WV-CW634S : Main body : 1.35 kg (2.97 lbs.) Attachment plate : 100 g (0.22 lbs.) Mount bracket : 350 g (0.78 lbs.)	
	WV-CW634F : Main body : 1.35 kg (2.97 lbs.) Attachment plate : 100 g (0.22 lbs.)	WV-CW630S : Main body : 1.45 kg (3.20 lbs.) Attachment plate : 100 g (0.22 lbs.) Mount bracket : 350 g (0.78 lbs.)

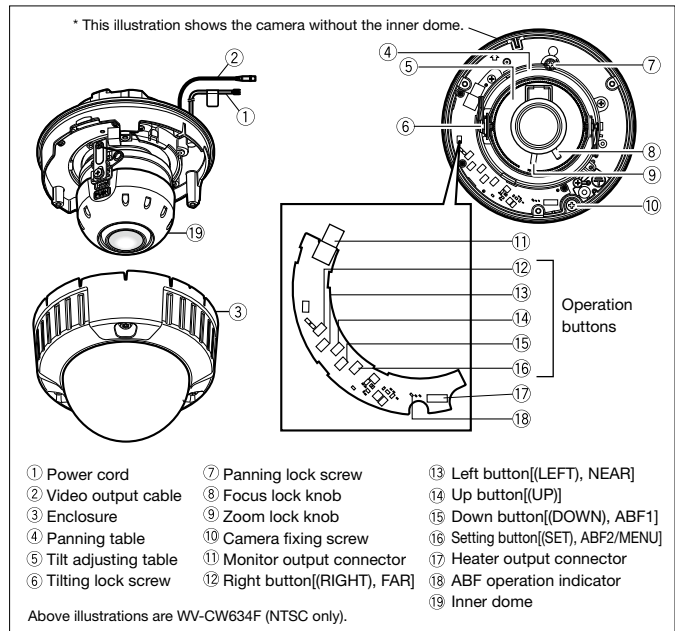
*1 With standard Clear Dome Cover

*2 Converted value

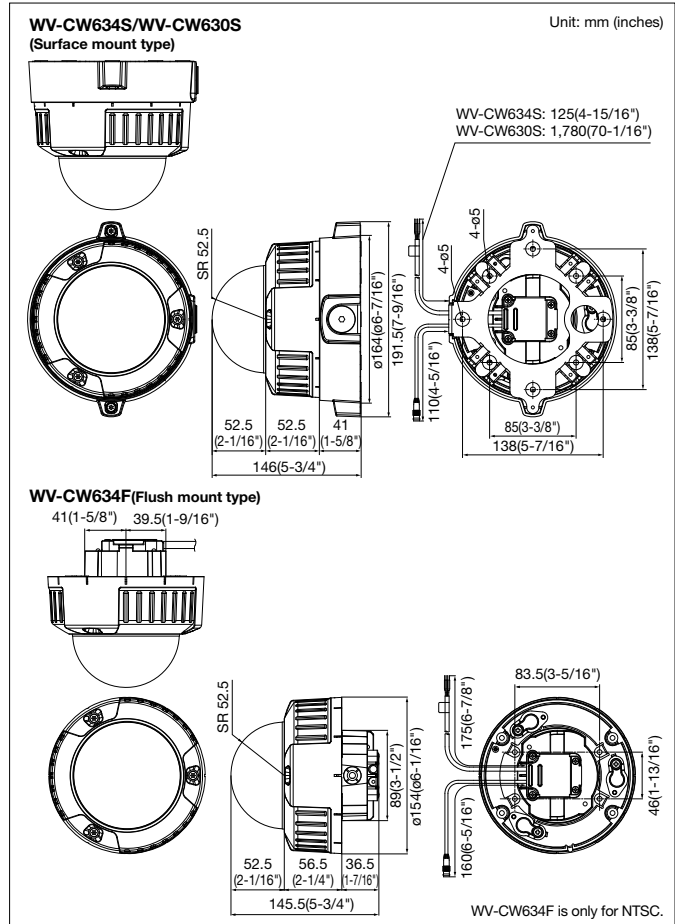
*3 With optional Heater Unit WV-CW5HA

*4 Optional Heater Unit WV-CW5HA cannot be used under 12 V DC operation

Part Names and Functions



Appearance



Trademarks and registered trademarks

- "Super Dynamic", and "SD6" logos are trademarks or registered trademarks of Panasonic Corporation.

Important

- Safety Precaution: Carefully read the Important Information, Installation Guide and operating instructions before using this product.

- All TV pictures are simulated.
- Weights and dimensions are approximate.
- Specifications are subject to change without notice.
- All product pictures are NTSC models.

DISTRIBUTED BY:

Panasonic

<http://security.panasonic.com>

(2A-161BA)