



Description

The **IPGPU1** is a single port in-line, modular 10/100/1000 Ethernet & PoE+ surge protector for IP cameras, tele-communications and LAN/WAN equipment. The scalable modular design enables one or more units to be installed in unison to provide protection in a variety of applications for rack mounted network equipment. The RK1GP rack panel enables this process and is sold separately. The IPGPU1 is designed to provide surge protection via a single set of 10/100/1000 Ethernet ports. The unit has standard RJ45 jacks with dual point screw earth ground connections for easy and quick installation.

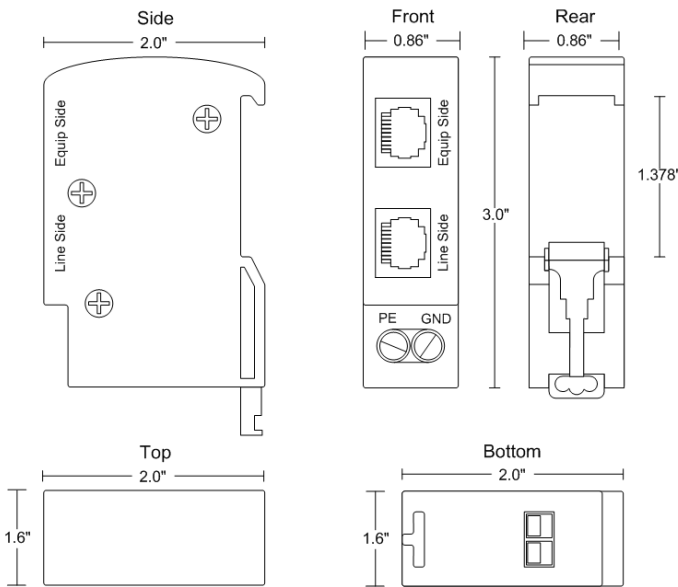
Specifications

Nominal Operating Voltage (Un):	2.8V(Ethernet)/48V(PoE)
Max. Continuous Operating Voltage (UC):	3V(Ethernet)/60V(PoE)
Nominal Discharge Current (In @8/20µs):	3kA (line to line)
Max. Discharge Current (Imax @8/20µs):	20kA (line to earth - 8/20)
Protection Modes:	1-2,3-6,4-5,7-8

Protective Element:	TVS, GDT
Voltage protection level (Up of line to line):	50V @ 3kV (1.2/50)
Voltage protection level (Up of line to earth):	700/800V @ 3kV (1.2/50)
PoE protection level:	48 – 60VDC
Network Transmission Rates:	10/100/1000
Response Time (tA):	<1ns

Temperature Range:	- 40° to 176°F (-40° to 80°C)
Relative Humidity:	0% to 95% noncondensing
Housing Material:	Thermoplastic UL 94 V-0
Protection Rating (IP Code):	IP 20
Din Rail EN60715:	35mm top-hat rail
Terminal Screw Torque:	Max. 0.25Nm

Net Weight Per Unit:	0.16Lb (71g)
Package Dimension (WxDxH):	0.9"x2.0"x3.1" (24mmx51mmx78mm)
Stripping Length Contacts:	0.25inches (6-7mm)
Net Weight per Unit:	0.16lbs (71g)
Maximum Operating Altitude:	10,000 feet (3000m)
Surge Life at 0.5kA (8/20µs):	>2000 events
Attenuation:	< 0.5db @ 100MHz
Cross-sectional area of earth lead:	3mm ² multistranded / flexible
Connection mode:	RJ45



Features

- Single Channel Multi-Stage
- Modular top hat 35mm din rail design
- Highly scalable
- Protects IP data and PoE circuits
- Support mega-pixel IP cameras
- Compatible with PoE+ power
- <1 Nano second clamping time
- IEC International Standard 60715
- Limited Lifetime Warranty

UL Listed
UL 497B



NITEK®

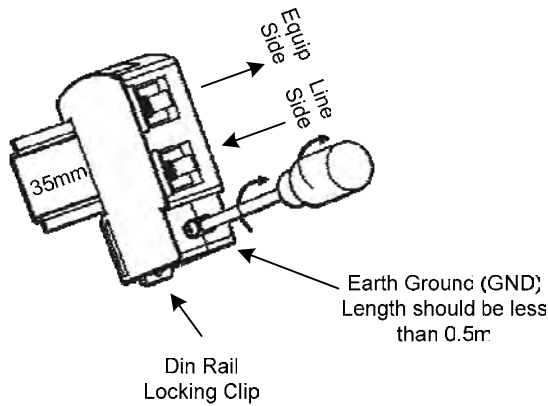
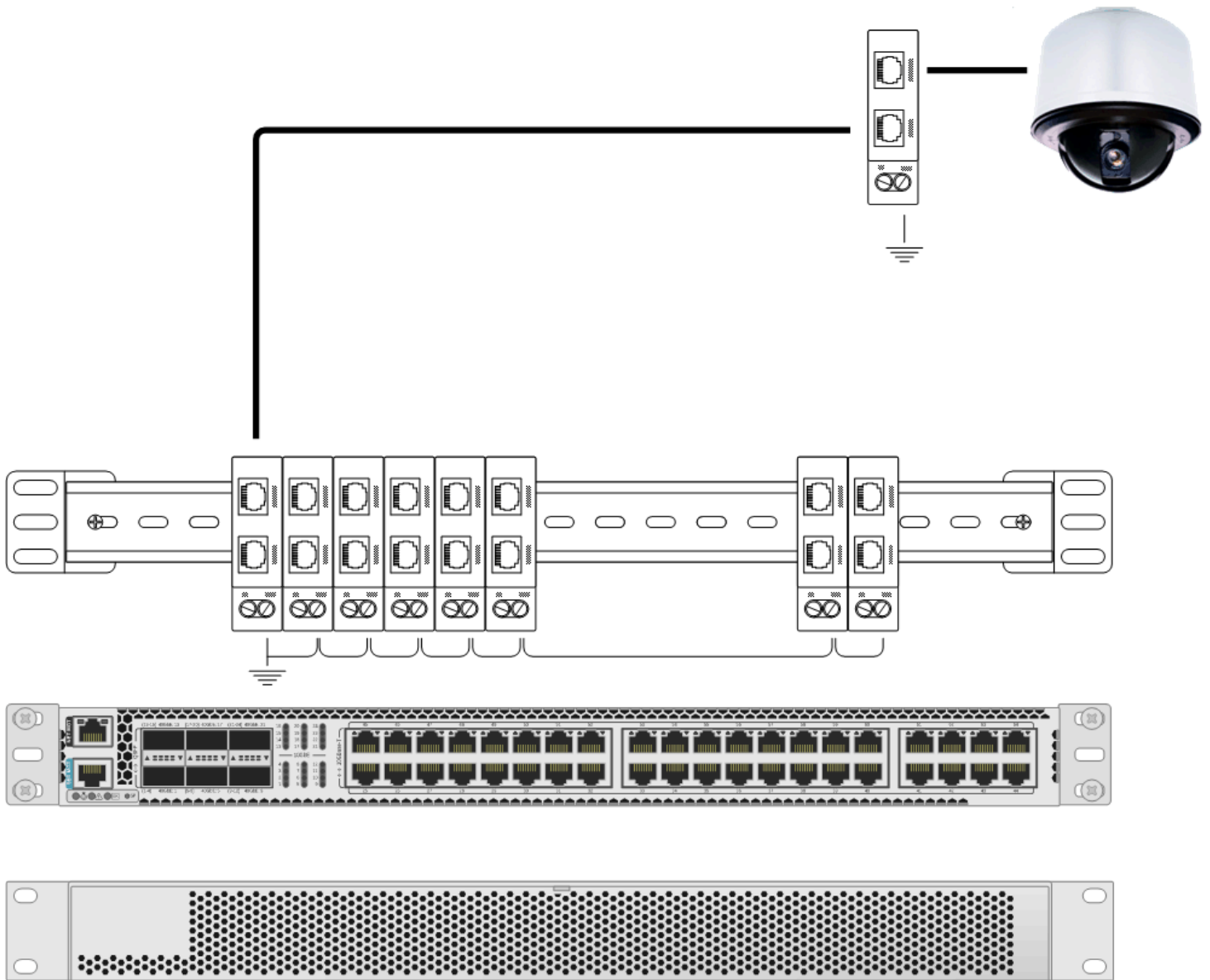
USA

5410 Newport Drive, # 24
Rolling Meadows, IL 60008
Phone: (847) 259-8900
Fax: (847) 259-1300
E-mail: info@nitek.net
WWW.NITEK.NET

EUROPE

De Aar 99
8253 PN Dronten
The Netherlands
Tel: +31(0) 321 310 043
E-mail: info@nitekeurope.net
WWW.NITEK.NET

TECHNICAL SPECIFICATION



UL Listed
UL 497B



RoHS
COMPLIANT
2002/95/EC



NITEK®

USA

5410 Newport Drive, # 24
Rolling Meadows, IL 60008
Phone: (847) 259-8900
Fax: (847) 259-1300
E-mail: info@nitek.net
WWW.NITEK.NET

EUROPE

De Aar 99
8253 PN Dronten
The Netherlands
Tel: +31(0) 321 310 043
E-mail: info@nitekeurope.net
WWW.NITEK.NET