

DESCRIPTION

Nascom's N1178C Series is a 3/4" recessed wide gap stubby door contact designed for residential, commercial and industrial steel and wood door applications.

The N1178C is the installer's choice of contact configuration because the contact set is designed to cut installation times and helps to prevent false alarms caused by shifting or warping doors.

The N1178C Series is designed for installation in every type of hinged door including wood doors.



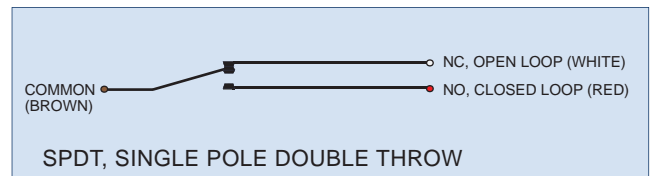
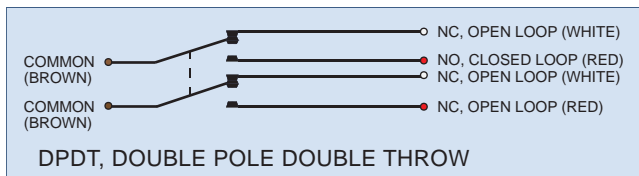
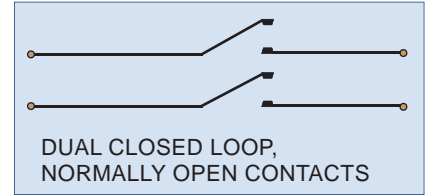
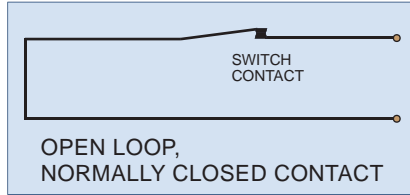
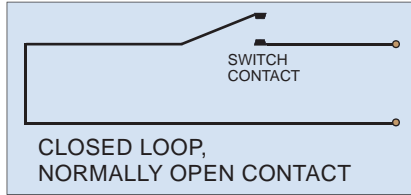
FEATURES

- SNAP FIT ON STEEL - NO GLUE REQUIRED
- 12" 22AWG WIRE LEADS
- WIDE GAP - N35 NdFeB RARE EARTH MAGNET
- ENCAPSULATED HERMETICALLY SEALED CONTACTS
- POLYPROPYLENE HOUSINGS
- LISTED TO UL634 STANDARD

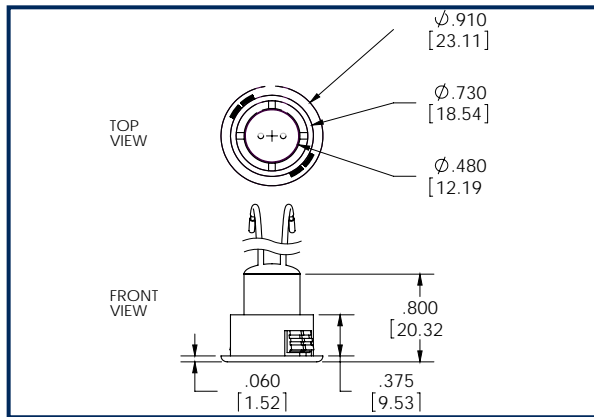
ORDERING INFORMATION

PART NUMBER	COLOR	OPERATE GAP (in inches)	CONTACT RATING (Max DC/Peak AC Resistive)				STATIC CONTACT RESISTANCE (50mV, 100mA)
			SWITCHING		CARRY		
			V	I	V	I	
CLOSED LOOP, NORMALLY OPEN, 1FA, SWITCH/MAGNET SET:							
N1178CB/ST N1178CG/ST N1178CT/ST N1178CW/ST	BROWN GREY TAN WHITE	0.875 to 1.50	200 VDC	0.5 Amps	10vA	1.5 Amps	150 mOhms
DUAL CLOSED LOOP, NORMALLY OPEN, 1FA, SWITCH/MAGNET SET:							
N1178CB/ST2CR N1178CG/ST2CR N1178CT/ST2CR N1178CW/ST2CR	BROWN GREY TAN WHITE	0.875 to 1.50	200 VDC	0.5 Amps	10vA	1.5 Amps	150 mOhms
OPEN LOOP, NORMALLY CLOSED, 1FB, SWITCH/MAGNET SET:							
N1178CB/STFB N1178CG/STFB N1178CT/STFB N1178CW/STFB	BROWN GREY TAN WHITE	0.75 to 1.25	30 VDC	0.2 Amps	3vA	0.5 Amps	150 mOhms
SINGLE POLE DOUBLE THROW, SWITCH/MAGNET SET:							
N1178CB/STSD N1178CG/STSD N1178CT/STSD N1178CW/STSD	BROWN GREY TAN WHITE	0.75 to 1.25	30 VDC	0.2 Amps	3vA	0.5 Amps	150 mOhms
DOUBLE POLE DOUBLE THROW, SWITCH/MAGNET SET:							
N1178CB/STDD N1178CG/STDD N1178CT/STDD N1178CW/STDD	BROWN GREY TAN WHITE	0.75 to 1.25	30 VDC	0.2 Amps	3vA	0.5 Amps	150 mOhms
HIGH SECURITY, NORMALLY OPEN, 1FA, SWITCH/MAGNET SET:							
N1178CB/STHS N1178CG/STHS N1178CT/STHS N1178CW/STHS	BROWN GREY TAN WHITE	0.1875 to 0.5000	300 VDC	0.25 Amps	10vA	0.25 Amps	150 mOhms initial

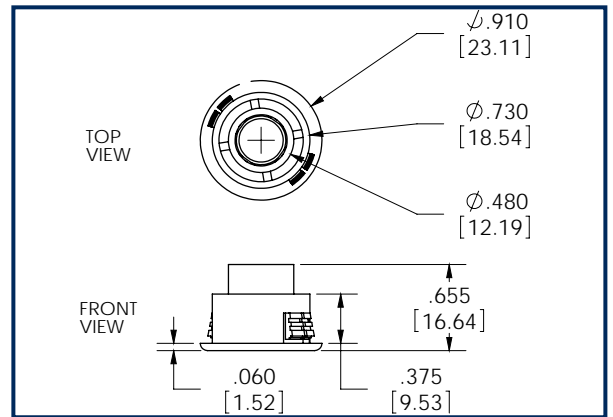
WIRING SCHEMATIC



DIMENSIONS - IN [mm]



SWITCH



MAGNET

INSTALLATION INSTRUCTIONS

- Mark location for the switch on the door frame and mark the location for the magnet on the door.
- Make sure switch and magnet hole locations are aligned.
- Drill holes for the switch and magnet using a 3/4" Hole Saw for steel doors or a Forstner bit for wood doors.
- Press the magnet into the hole in the door until seated firmly against the head. Silicone may be used to secure the magnet in wood doors.
- Connect the switch leads to the alarm circuit conductors. Hold the wire leads (not the switch housing) when cutting and stripping to prevent damage to the switch.
- Feed the switch conductors into the hole and insert the switch housing pressing firmly until seated. Silicone may be used to secure the switch in wood doors.
- Test switch for correct operation and make sure gap performance is acceptable.

PART NUMBER SYSTEM

