



MS-704U
Yellow Single Action Manual
Station



MS-703U
Blue Single Action Manual
Station

Features

- Single Action
- Key resettable
- Terminal connectors
- Gold plated SPDT contacts
- High-gloss enamel in Blue and Yellow
- Normally Open or Normally Closed Alarm Contacts
- Meets ADA 5 lb. maximum manual-force

Description

Mircom's MS-700U Emergency Manual Stations are high quality, die-cast metal manual stations that are designed to meet special use requirements. The MS-700U are designed for indoor and outdoor use.

Mircom's MS-700U Emergency Manual Stations consist of two models. The MS-703U and MS-704U are single action manual stations. The MS-703U is finished in a Blue enamel and the MS-704U is finished in a Yellow enamel.

Both models are available with key resets, CAT-30 lock and keys, SPDT contacts and terminal strip connections. The contacts are gold plated to avoid the risk of corrosion. The MS-700U Emergency Manual Stations mount on a standard single gang backbox.

Operation

The MS-700U Single Action Emergency Manual Stations are operated by pulling down the handle marked "PULL HANDLE" on the front of the station.

The MS-700U Series Emergency Manual Stations are reset by opening the station with the key, placing the handle in the normal upright position and re-locking the station.



S7005



S7005



7150-1477:128

MEA
approved

313-97-E

CATALOG NUMBER

5165

NOT TO BE USED FOR INSTALLATION PURPOSES.

Mircom reserves the right to make changes at any time without notice in prices, colours, materials, components, equipment, specifications and models and also to discontinue models.

Specifications

Switch Rating:

1 Amp @ 30 VDC
0.1 Amp @ 125 VAC

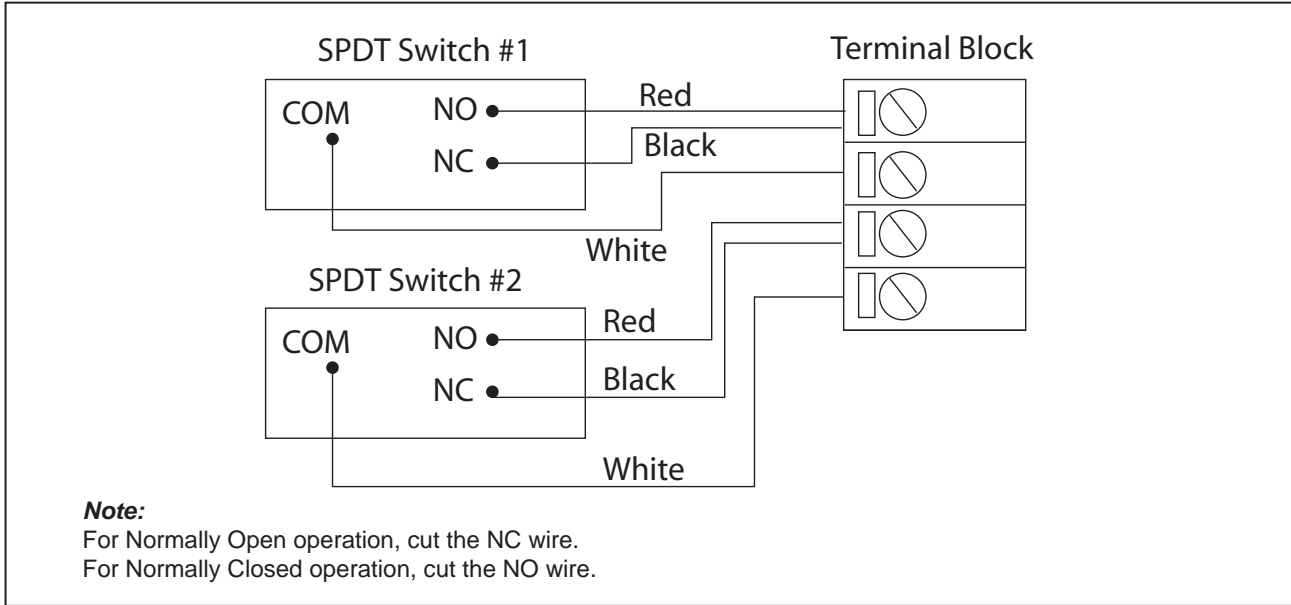
Manual Station Dimensions:

4.9" H x 3.5" W x 2.0" D

Colors:

Blue or Yellow with raised white letters.
White manual bar with raised black letters.

Typical Wiring Diagram



Ordering Information

Model	Description
MS-703U	Blue Single Action Emergency Manual Station c/w 2 Form "C" Contacts
MS-704U	Yellow Single Action Emergency Manual Station c/w 2 Form "C" Contacts

NOT TO BE USED FOR INSTALLATION PURPOSES.



Canada

25 Interchange Way
Vaughan, Ontario L4K 5W3
Telephone: (905) 660-4655
Fax: (905) 660-4113

U.S.A.

4575 Witmer Industrial Estates
Niagara Falls, NY 14305
Toll Free: (888) 660-4655
Fax Toll Free: (888) 660-4113

Web page: <http://www.mircom.com>

Email: mail@mircom.com

Distributed by:

ISO 9001:2008
REGISTERED



CAT. 5165
Rev. 3