

MS-3000X and MS-5000X Proximity Readers

- Sleek Attractive Packages
- Ultra Thin Profile - only 3/8" (10mm) thick
- Smallest Door Frame (Mullion) Reader Available
- Better Read Range Performance Than Competing Products of Similar Size
- Significantly Lower Cost Than Competing Proximity Readers



Keri's **MS Series Proximity Readers** are designed to blend aesthetics, read range performance, and small package size with an extremely thin profile into a product that is priced significantly less than competing proximity readers. The readers are for use exclusively with Keri's revolutionary access control system based on the **PXL-250 Tiger Controller** and were designed by some of the industry's top RF engineers, with many years of experience in proximity reader design.

The smallest readers in the series are the **MS-3000 MicroStar™ Reader** and the **MS-5000 MiniStar™ Reader**. The MicroStar Reader measures just 3.4" long x 1.4" wide x 0.38" thick (86mm x 36mm x 10mm), and is designed to mount on a metal window or doorframe (mullion) or directly on a wall. Read range is up to 4" (10cm). The MiniStar Reader measures 4.3" long x 3.0" wide x 0.38" thick (109mm x 76mm x 10mm), and can be mounted on a single gang electrical box or flat on a wall. Read range is up to 6" (15cm) when mounted at least one inch off metal. If the reader is mounted using a metal electrical junction box with the thickness of the wall material separating the reader from the box, read range will be reduced.

Both readers are attractively designed with a thin profile and modern appearance. The readers are compatible with all of Keri's proximity card styles as well as the small, extremely robust Keri Key Tag. Additionally, they can read any Motorola/Indala ASP Card or Tag if they are to be used in conjunction with a PXL-250 Controller.

Readers with greater read range are also available.



1530 Old Oakland Road, Suite 100
San Jose, CA 95112 USA
(800) 260-5265 • (408) 451-2520 • Fax (408) 441-0309
e-mail: sales@kerisys.com web: www.kerisys.com

DATA SHEET

MS-3000X and MS-5000X Series Proximity Readers

MS Series Proximity Readers

Specifications

Size

3.4" H x 1.4" W x 0.38" T (MS-3000)
(86mm x 36mm x 10mm)

4.3" H x 3.0" W x 0.38" T (MS-5000)
(109mm x 76mm x 10mm)

Weight

2.1 oz. (59g) (MS-3000)

3.2 oz. (90g) (MS-5000)

Read Range*

Up to 4" (10cm) (MS-3000)

Up to 6" (15cm) (MS-5000)

Input Voltage

+12 VDC nom. (5-14 VDC)

Current Draw

50 mA typical (MS-3000)

100 mA typical (MS-5000)

Operating Temperature

-40° C to +65° C

LED Indicator

Tri-Color Standard (Red, Green, Amber)

Audio Tone

Standard

Frequency

125 KHz excitation, 62.5 KHz data return

Color

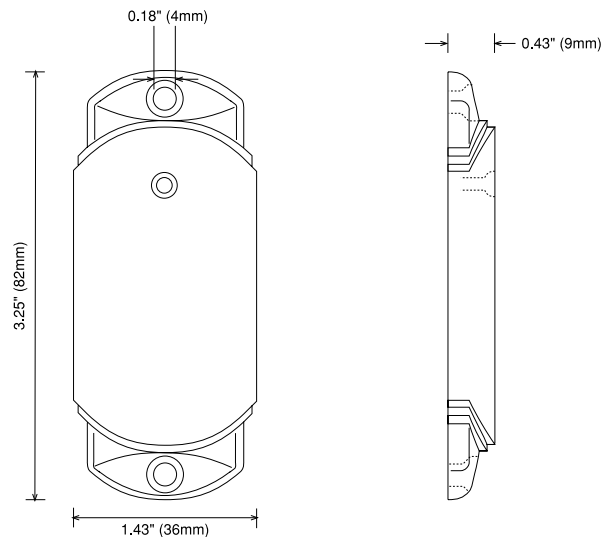
Black

Warranty

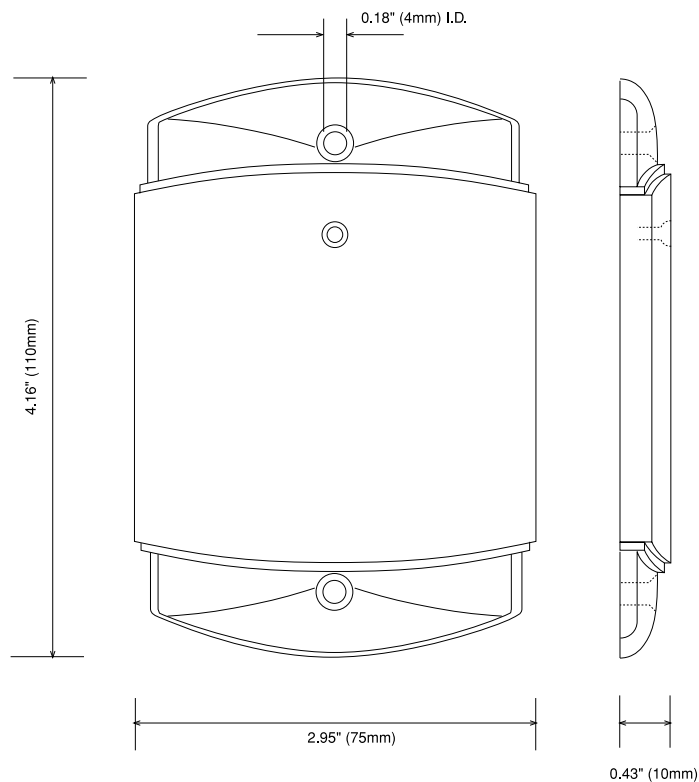
The MS-3000 and MS-5000 carry a lifetime warranty against defects in materials and workmanship.

Specifications subject to change without notice.

MS-3000 MicroStar Reader



MS-5000 MiniStar Reader



*Read range is stated in a clean RF and electrical environment using KC-10 Proximity Card presented parallel to reader surface. Range is less for PKT-10 Key Tag and MT Multi Technology Card.

Presented By:



(800) 260-5265 • (408) 451-2520 • Fax (408) 441-0309

Sept. 1999