

Simplex® LP1000

BEYOND SECURITY



Features

Access Control

Mechanical pushbutton lock eliminates problems and costs associated with issuing, controlling, and collecting keys and cards. Provides exterior access by combination, while allowing free egress with Exit Device (not supplied).

No Battery

Fully mechanical lock eliminates the material and labor expense of battery replacements

Locking Device Options

Rim Exit Device: Compatible with most leading brands of Exit Devices—see list below (Exit Device and mounting hardware not included)

Number of Codes

Single access code—one easy-to-manage code for all users

Handing

Factory-handed; not field reversible

Key Override (Optional)

Small format interchangeable cores, large format removable cores

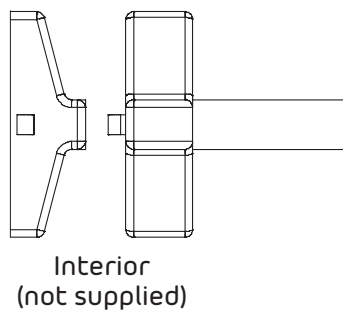
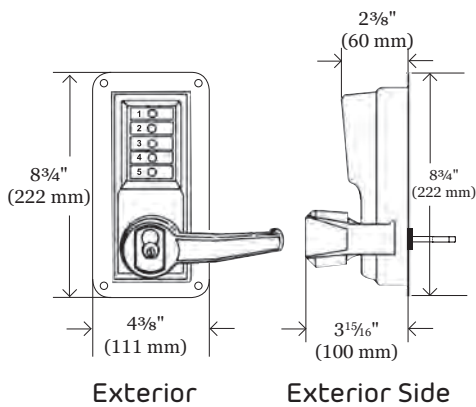
Operation Modes

Pushbutton Access - Exit Device may be "dogged" without affecting the LP1000

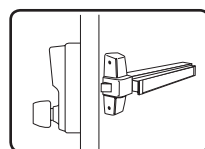
Economical

A cost effective access control solution

Door handing must be specified when ordering.

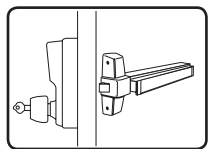


LP1010



- Combination Entry
- Egress with Exit Device (not supplied)
- Exterior Combination Change (only)

LP1020



- Combination Entry
- Egress with Exit Device (not supplied)
- Key Override (not supplied)
- Exterior Combination Change (only)

Features (continued)

<i>Exit Device Compatibility</i>	Black & Decker (K-12) QED111/112 Cal Royal 5000/F5000 Detex Advantex Series 10, 20, 21,40, 50, 51 Detex 10/F10 Series Dorex 8500R/8500F Dorex 9500PR/9500FR Dorma 9100, 9300	Monarch XX-R*, FXX-R, 18-R*, F-18-R*, 17-R, F-17-R, XX-V*, F-XX-V*, 18-V*, F-18-V*, F-XX-V*, 11-R*, 11-V* Von Duprin 22, 88 NL, 98, 99, 900, 2227, 9827, 9847, 9847 WDC, 9848, 9857, 9927, 9947, 9947, WDC, 9948, 9957, 90027, 90047 WDC, 90057 *(requires special K-Hub Adapter Kit)
----------------------------------	--	---

• Cannot be used with mortise design or vertical rod Exit Devices

ATTENTION: Compatibility is subject to change if modifications are made by Exit Device manufacturers without Kaba's knowledge. For the most accurate listing of compatible Exit Devices, visit <http://kaba.to/SimplexLP1000>.

Mechanical Features

<i>Construction</i>	Heavy-duty cast front housing; heavy-duty mounting plate; fixed ADA-compliant lever
<i>Numeric Keypad</i>	Vandal resistant, solid metal pushbuttons
<i>Handing</i>	Factory-handed; not field reversible
<i>Standard Finishes</i>	Antique Brass 05 (609), Satin Chrome 26D (626)
<i>Optional Finishes</i>	Bright Chrome 026 (625), Bright Brass 03 (605)
<i>Exit Device Strike</i>	Supplied with Exit Device
<i>Exit Device Hub Rotation</i>	Up to 60°, counterclockwise for left hand and clockwise for right hand
<i>Tailpiece</i>	2¾" (70 mm) tailpiece for Exit Device operation from outside Optional 5" (125 mm) tailpiece for freezer doors (sold separately, part # 74773-000-01)
<i>Minimum Stile Recommended</i>	5" (127 mm)
<i>Weight</i>	8 lbs. (3.6 kg)

Key Override

<i>Interchangeable Cores</i>	Small format—Best and equivalents (6 or 7-pin length); core not included
<i>Removable Cores</i>	Large format—Medeco/ASSA/Yale/Abloy (5 or 6-pin length), Corbin Russwin, Schlage, and Sargent; core not included

Installation

<i>Door Preparation</i>	Recessed through bolts may be required for Exit Device preparation
<i>Door Thickness</i>	1⅜" (35 mm) to 2¼" (57 mm) Optional 5" (127 mm) tailpiece (sold separately, part # 74773-000-01)
<i>Items Supplied Include</i>	Installation manual, full-scale template, combination change tool, and required lock installation hardware only

Certification and Testing

<i>Accessibility Standard</i>	Americans with Disabilities Act (ADA); fixed ADA-compliant lever
<i>Durability</i>	Weather resistant
<i>Fire Rating</i>	3-hour UL/ULC fire rating for "A" labeled doors

Warranty

<i>Warranty</i>	3-year warranty
-----------------	-----------------