

BEYOND SECURITY

KABA®

Simplex® 5000



Features

Access Control

Mechanical pushbutton lock—eliminates problems and costs associated with issuing, controlling, and collecting keys and cards. Provides exterior access by combination, while allowing free egress

No Battery

Fully mechanical lock eliminates the material and labor expense of battery replacements

Number of Codes

Single access code—one easy-to-manage code for all users

Programming

Lock is easily programmed via keypad without removing the lock from the door

Handing

Non-handed, pre-assembled for left-hand door installations—easily changed in the field

Key Override

Key-in-lever cylinders, small format interchangeable cores, large format removable cores

Operation Modes

- Pushbutton Access
- Passage (select models)—allows access without using the lock access code. Feature activated from the inside with a thumbturn or key (included with all passage feature models).
- Exit Trim—may be "dogged" if Exit Device allows
- Lockout (select models)—disables the lock from the inside so that the code cannot be used to gain access. Access is permitted using the key override only when in this mode (5067 model only).

Direct Drive Design

Clutch free design—minimizes friction and wear

Economical

A cost effective access control solution

Features continued

<i>Locking Device Options</i>	Cylindrical: Cylindrical latch with 3-hour UL/ULC fire rating on "A" labeled doors
	Rim Exit Device: Compatible with most leading brands of Exit Devices (Exit Device and mounting hardware not included) . Universal mounting plate (included) simplifies installation and eliminates any requirement to stock different locks/plates for various Exit Devices.
	American Standard Mortise: With 1¼" (32 mm) face plate; with and without deadbolt

<i>Exit Device Compatibility</i>	Arrow S1250	Dorex 8500R/8500F	Sargent 8888
	Arrow S3883F/S3800	Dorex 9500PR/9500FR	Von Duprin 22/22F
	Black & Decker (K-2) QED111/112	Dorma 9300/F9300	Von Duprin 98/98F
	Cal Royal 9800	Monarch 18R*, F18R*	Von Duprin 99/99F
	Cal Royal 2200	Precision 21/FL21	Von Duprin XP98/99
	Corbin Russwin ED5200/5200A	Sargent 2828	Yale YME2100/2100
	Detex 1001 BP1	Sargent 3828	Yale 7100
	Detex 10/F10 Series	Sargent 8810E/8800	

*(requires special K-Hub Adapter)

ATTENTION: Compatibility is subject to change if modifications are made by Exit Device manufacturers without Kaba's knowledge. For the most accurate listing of compatible Exit Devices, visit <http://kaba.to/Simplex5000>.

Mechanical Features

<i>Construction</i>	Extra heavy-duty solid cast housings; solid cast levers, ADA-compliant levers, and wear tested for extensive use on indoor and outdoor applications
<i>Numeric Keypad</i>	Vandal resistant, metal pushbuttons
<i>Backset</i>	Cylindrical—2 ¾" (70 mm) backset, 2 ⅜" (60 mm) backset
	Exit Device—Varies by exit device
	Mortise—2 ¾" (70 mm) backset
<i>Latch</i>	Cylindrical—½" (13 mm) latch, ¾" (19 mm) latch (optional)
	Exit Device—Supplied with Exit Device
	Mortise—¾" (19 mm) latch, 1" (25 mm) deadbolt (optional)
<i>Universal Mounting</i>	Simplex 5000 Exit Trim—Universal mounting plate (included) simplifies installation and eliminates any requirement to stock different locks/plates for various exit devices
<i>Minimum Stile Recommended</i>	5" (127 mm)
<i>Weight</i>	Cylindrical—9.25 lbs. (4.19 kg)
	Exit Device—8 lbs. (3.63 kg)
	Mortise—11 lbs. (4.98 kg)

Key Override

<i>Universal Key-in-Lever</i>	Includes Kaba 1599 6-pin cylinder with two keys, Kaba 90 or Schlage "C" keyway, keyed different		
	Includes four additional tailpieces for compatibility with:		
	Abloy 5277; 5477	Kaba 1539; 1599	Medeco 20W200H1
	Arrow C100	Kaba Gemini 4730	Sargent 10 Line
	ASSA 65611; 65691	Kaba Peaks 1099	Schlage 23-001
	Corbin Russwin 2000-03	Marks	Schlage Primus 20-760
	Australian: Kaba expert 107K5, Boyd KC286		
	European: Quattro S/Expert, AP2 (5 and 6-pin)		
<i>Interchangeable Cores</i>	Small format—Best and equivalents (6 or 7-pin length); core not included		
<i>Removable Cores</i>	Large format—ASSA/Medeco/Yale/Abloy (5 or 6-pin), Corbin Russwin (6 or 7-pin length), Schlage, and Sargent ; core not included		

Installation

Door Preparation Easily installs on wood or metal doors. ASA 161 door preparation with additional through holes.

Door Thickness Cylindrical—1 3/8" (35 mm) to 2 1/4" (57 mm)
Pre-assembled to accommodate doors 1 5/8" (41 mm) to 2" (51 mm)
Exit Device and Mortise—1 3/4" (44 mm) to 2 1/4" (57 mm)
Pre-assembled to accommodate doors 1 3/4" (44 mm) to 2 1/8" (54 mm)

Items Supplied Include Lock assembly, installation manual, full scale template, and required hardware

Certification and Testing

Accessibility Standard Americans with Disabilities Act (ADA) ; ADA-compliant levers

Durability ANSI/BHMA Grade 1 Certified (A156.2, 156.13); D.O.D. Compliant 5220.22M for supplemental access control; weather resistant, wear tested for extensive use in indoor and outdoor applications

Fire Rating 3-hour UL/ULC fire rating for "A" label doors and installed with an existing fire-rated exit device (where applicable)

Warranty

Warranty 3-year warranty

Available Finishes

Standard Finishes Satin Chrome 26D (626) housings and levers
Black (676) housings with Satin Chrome 26D (626) levers and accents

Optional Finishes Bright Brass 03 (605) housings and levers
Satin Brass 04 (606) housings and levers
Bright Chrome 026 (625) housings and levers
Dark Bronze housing and levers with brass accents

Standard Finishes



Satin Chrome



Black

Optional Finishes



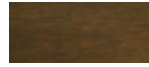
Bright Brass



Satin Brass

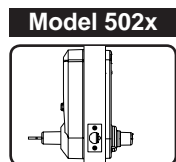


Bright Chrome

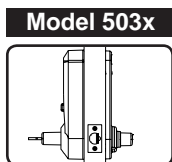


Dark Bronze

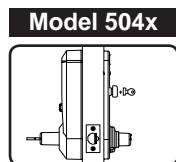
Cylindrical



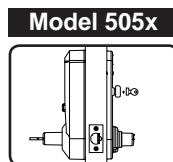
- Combination Entry
- Key Override
- Exterior Combination Change
- Knob Available



- Combination Entry
- Key Override
- Interior Combination Change, D.O.D. Compliant
- Knob Available

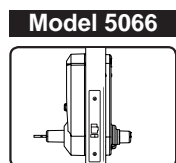


- Combination Entry
- Key Override
- Exterior Combination Change
- Passage
- Knob Available

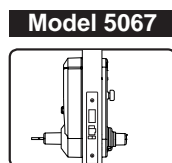


- Combination Entry
- Key Override
- Interior Combination Change, D.O.D. Compliant,
- Passage
- Knob Available

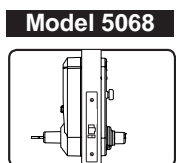
Mortise



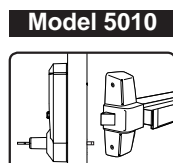
- Combination Entry
- Key Override
- Exterior Combination Change (only)



- Combination Entry
- Key Override
- Deadbolt
- Lockout
- Exterior Combination Change (only)



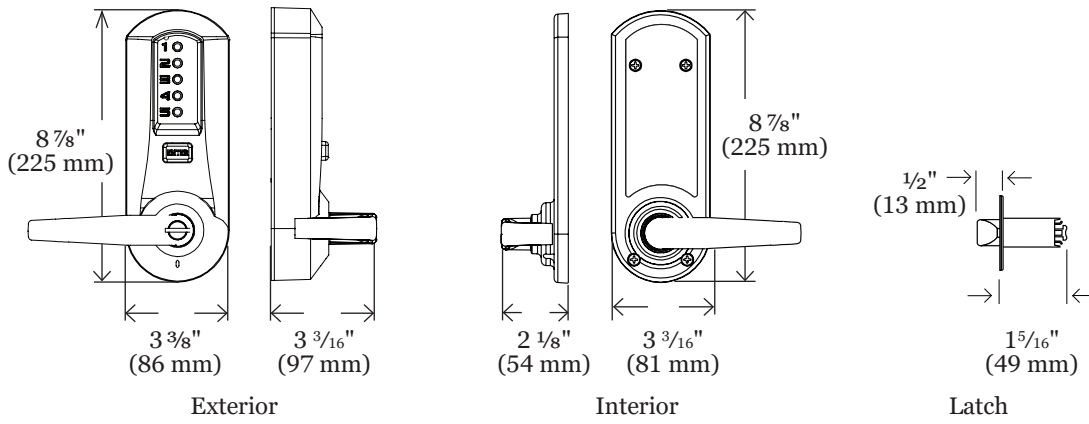
- Combination Entry
- Key Override
- Passage
- Exterior Combination Change (only)



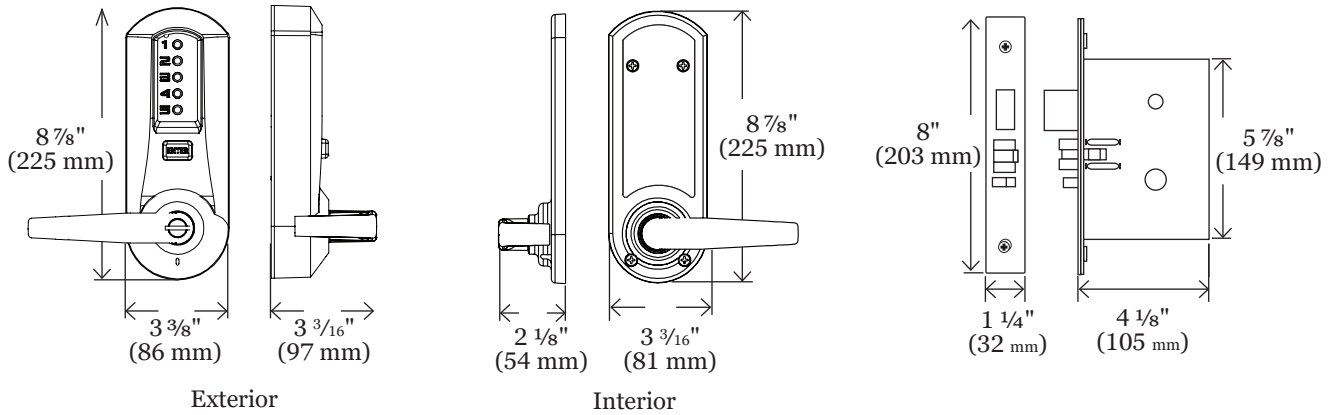
- Combination Entry
- Key Override
- Exterior Combination Change (only)
- Egress with Exit Device (not supplied)

Exit Device

Cylindrical



Mortise



Exit Device

