

HINGE-COVER LIFT-OFF, TYPE 3R



INDUSTRY STANDARDS

UL 50, 50E Listed; Type 3R; File No. E27567
 cUL Listed per CSA C22.2 No 94; Type 3R File No. E27567

NEMA/EEMAC Type 3R
 CSA, File 42184: Type 3R
 IEC 60529, IP32

APPLICATION

Featuring a removable cover for easy mounting and access, these enclosures protect components in applications subject to rain, sleet, snow or dripping water.

FEATURES

- Drip-shield top and seam-free sides, front and back
- Galvanized steel lift-off hinges with stainless steel pins
- Provisions for padlocking on each draw pull catch
- Embossed mounting holes on back of enclosure
- Gasketing along top of door
- No knockouts

SPECIFICATIONS

- 16 or 14 gauge galvanized steel
- 16 gauge cover fastened securely with draw pull catch

FINISH

ANSI 61 gray polyester powder paint finish inside and out over galvanized steel. Optional panels are white.

ACCESSORIES

See also Accessories.

Industrial Corrosion Inhibitors

Electric Heater

Grounding Device

Mounting Bracket Kit

Panel Mounting Kit

Panel Support Kit

Panels for Type 3R, 4, 4X, 12 and 13 Enclosures

Junction Box and Wall-Mount Enclosure Swing Out Panel Kit

Terminal Block Kit Assembly for Junction Boxes Overview

Touch-Up Paint

Steel and Stainless Steel Window Kits

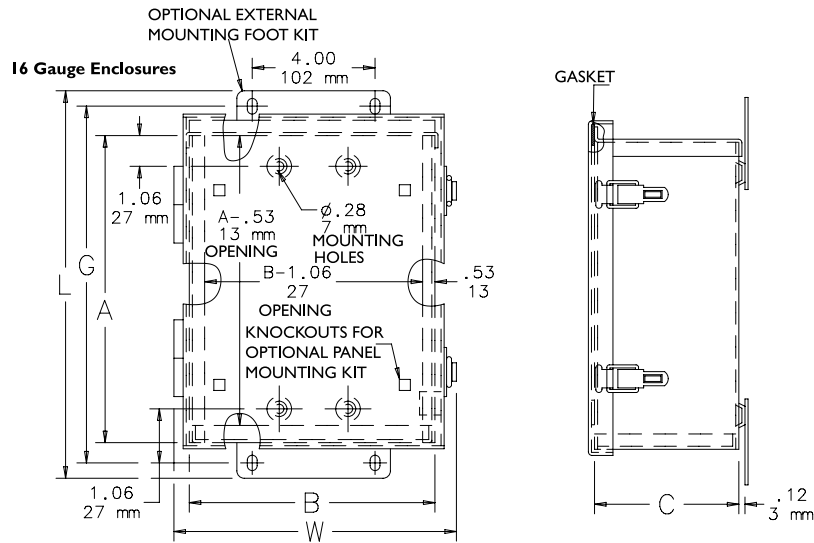
BULLETIN: A3LO

Standard Product

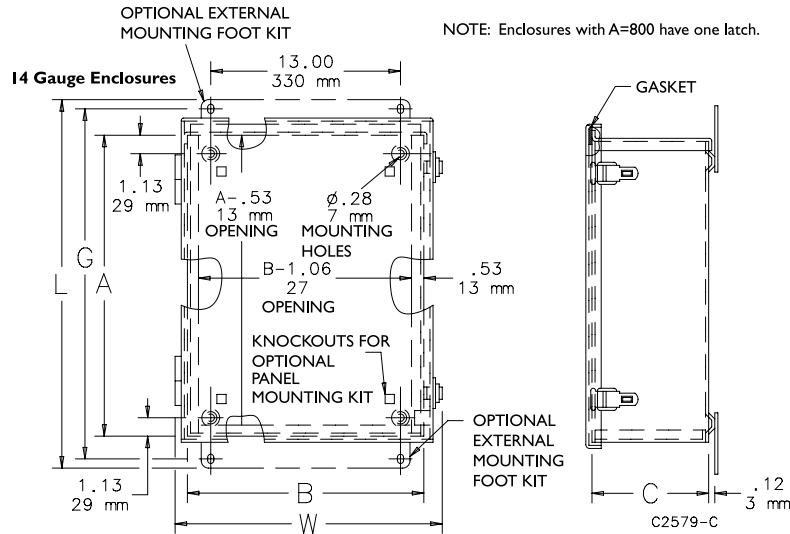
Catalog Number	AxBxC in./mm	Body Gauge	Panel ^a	Panel Size D x E in./mm	Mounting G in./mm	Overall L x W in./mm	Panel Mounting Kit ^b	Mounting Bracket Kit ^b	Bracket Gauge	Overall Width of Bracket in./mm	Hole Spacing For Bracket in./mm
A8R64HCLO	8.00 x 6.00 x 4.00 203 x 152 x 102	16	A6P6	4.88 x 4.88 124 x 124	9.12 232	10.12 x 7.25 257 x 184	APMK3RL016	AMFK3RL016	14	5.00 127	4.00 102
A8R86HCLO	8.00 x 8.00 x 6.00 203 x 203 x 152	16	A8P6	6.75 x 4.88 171 x 124	9.12 232	10.12 x 9.25 257 x 235	APMK3RL016	AMFK3RL016	14	5.00 127	4.00 102
A10R86HCLO	10.00 x 8.00 x 6.00 254 x 203 x 152	16	A8P8	6.75 x 6.88 171 x 175	11.12 282	12.12 x 9.25 308 x 235	APMK3RL016	APMK3RL016	14	5.00 127	4.00 102
A12R106HCLO	12.00 x 10.00 x 6.00 305 x 254 x 152	16	A10P10	8.75 x 8.88 222 x 226	13.12 333	14.12 x 11.25 359 x 286	APMK3RL016	AMFK3RL016	14	5.00 127	4.00 102
A12R126HCLO	12.00 x 12.00 x 6.00 305 x 305 x 152	16	A12P10	10.75 x 8.88 273 x 226	13.12 333	14.12 x 13.25 359 x 337	APMK3RL016	AMFK3RL016	14	5.00 127	4.00 102
A16R126HCLO	16.00 x 12.00 x 6.00 406 x 305 x 152	16	A14P12	12.75 x 10.88 324 x 276	17.12 435	18.12 x 13.25 460 x 337	APMK3RL016	AMFK3RL016	14	5.00 127	4.00 102
A16R166HCLO	16.00 x 16.00 x 6.00 406 x 406 x 152	16	A16P16	13.00 x 13.00 330 x 330	17.31 440	18.31 x 17.25 465 x 438	APMK3RL014	AMFK3RL014	12	14.00 356	13.00 330
A20R166HCLO	20.00 x 16.00 x 6.00 508 x 406 x 152	16	A20P16	17.00 x 13.00 432 x 330	21.31 541	22.31 x 17.25 567 x 438	APMK3RL014	AMFK3RL014	12	14.00 356	13.00 330
A20R208HCLO	20.00 x 20.00 x 8.00 508 x 508 x 203	14	A20P20	17.00 x 17.00 432 x 432	21.31 541	22.31 x 21.25 567 x 540	APMK3RL014	AMFK3RL014	12	14.00 356	13.00 330
A24R208HCLO	24.00 x 20.00 x 8.00 610 x 508 x 203	14	A24P20	21.00 x 17.00 533 x 432	25.31 643	26.31 x 21.25 668 x 540	APMK3RL014	AMFK3RL014	12	14.00 356	13.00 330
A24R248HCLO	24.00 x 24.00 x 8.00 610 x 610 x 203	14	A24P24	21.00 x 21.00 533 x 533	25.31 643	26.31 x 25.25 668 x 641	APMK3RL014	AMFK3RL014	12	14.00 356	13.00 330
A30R248HCLO	30.00 x 24.00 x 8.00 762 x 610 x 203	14	A30P24	27.00 x 21.00 686 x 533	31.31 795	32.31 x 25.25 821 x 641	APMK3RL014	AMFK3RL014	12	14.00 356	13.00 330

^a Purchase panels separately.

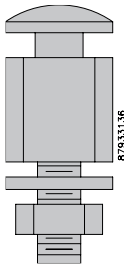
^b Panel Mounting Kit and Mounting Bracket Kit must be ordered separately. (A Panel Mounting Kit must be ordered to install panel.)



NOTE: Enclosures with A=800 have one latch.



PANEL MOUNTING KIT

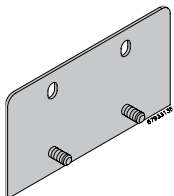


A panel mounting kit (order separately) is required in order to install a panel.

BULLETIN: A3L0

Catalog Number	Description
APMK3RL014	Required to install panel
APMK3RL016	Required to install panel

MOUNTING BRACKET KIT



Optional external mounting bracket kit available for installing enclosure (order separately).

BULLETIN: A3L0

Catalog Number	Foot Gauge	Overall Bracket Width in./mm	Hole Spacing for Bracket in./mm
AMFK3RL014	12	14.00 356	13.00 330
AMFK3RL016	14	5.00 127	4.00 102