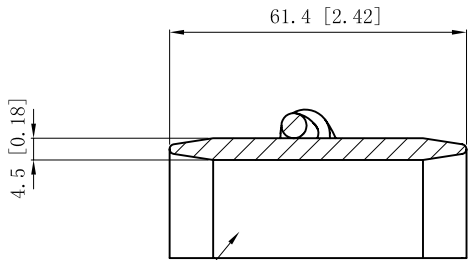
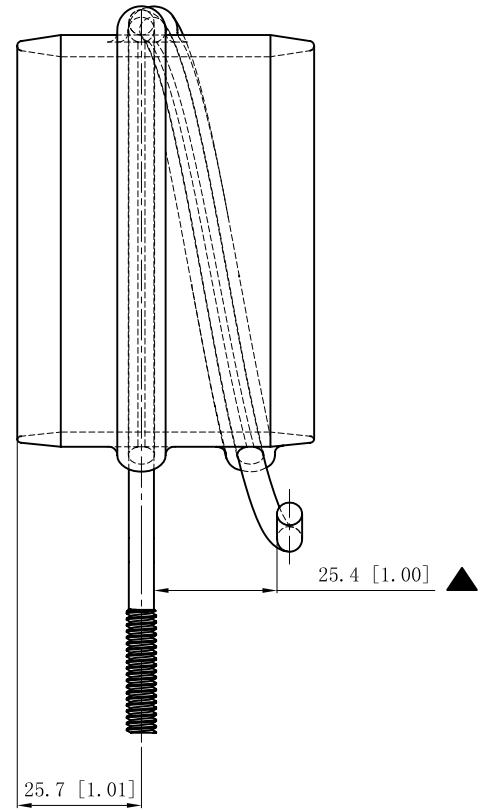
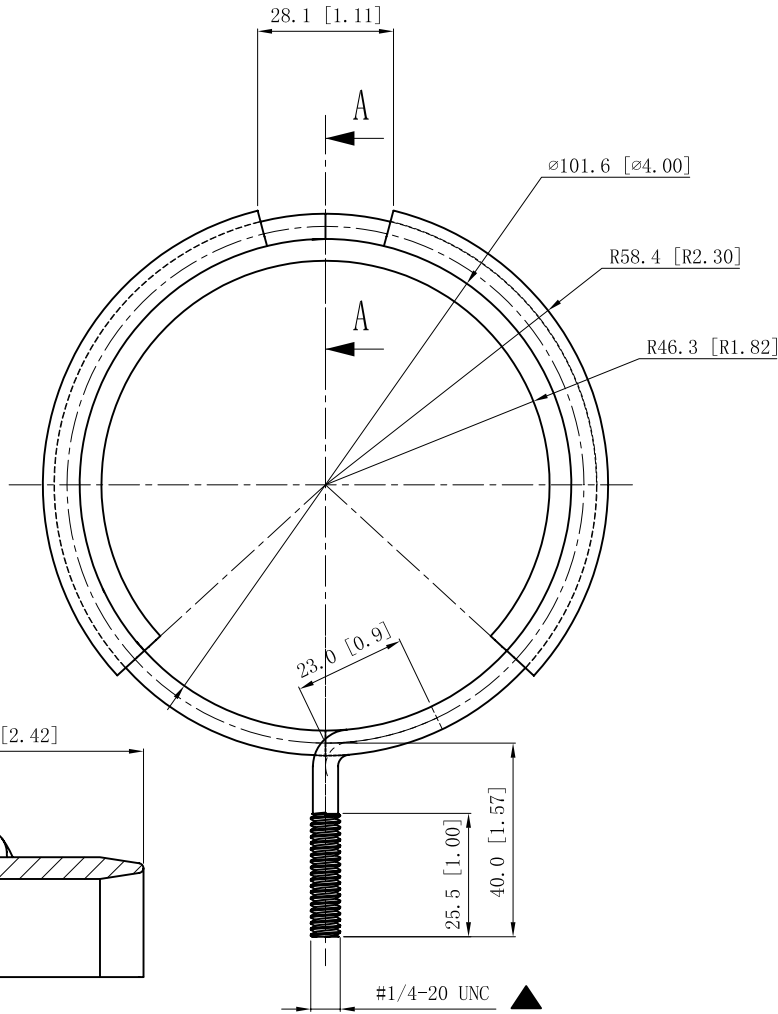
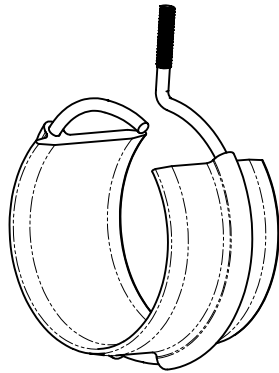


SIDES	BOTTOM
Material: Steel- $\approx 0.213''$ -(C1008-C1018) Zinc Plated	



Material: PP (V-0)  
level of fireproof  
CUTAWAY VIEW A-A

This data sheet is for reference only .GARVIN INDUSTRIES reserves the right to make changes to the design without prior notice.

DESCRIPTION
TRADE REFERENCE TERMS

STANDARD PACKING	<h1 style="text-align: center;">GARVIN INDUSTRIES</h1> <h2 style="text-align: center;">BRIDLE RINGS WIRE HARNESS</h2>		
50/PCS			
	TITLE		
	SIZE	DWG NO.	REV
	A4	BR-400-WH	
		DATA SHEET	