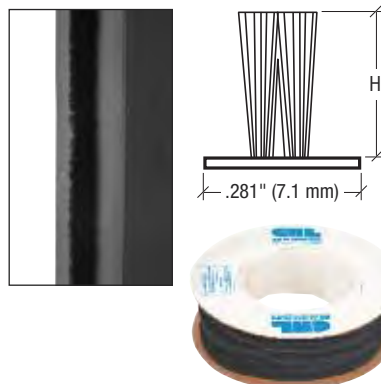


CRL Storefront Door Pile Weatherstrip

- **Energy Saver – Reduces Heat and Air Conditioning Loss Around Storefront Doors**
- **Effectively Seals Without Affecting the Operation of the Door**
- **Used on U.S. Aluminum Doors**

This CRL Storefront Door Pile Weatherstrip is made of water-repellent pile woven onto a polypropylene backing strip, which inserts easily into the pile channel of commercial doors. Pile Weatherstrip helps keep heated or cooled air from escaping around the door's frame, thus reducing energy loss. It will not affect the normal operation of the door. The black color will match the finish of most commercial doors.



MORE CHOICES
crlaurence.com

100 FT. ROLL CAT. NO.	PILE HEIGHT (H)	BULK ROLL CAT. NO.	BULK ROLL LENGTH
W125C	.250" (6.3 mm)	W125B	2000' (609.6 m)
W188C	.313" (7.9 mm)	W188B	1800' (548.6 m)

Minimum order: 1 roll. 100 foot rolls can be combined with all other 100 foot rolls of Pile for quantity pricing. Bulk rolls can be combined with all other bulk rolls of Pile for quantity pricing.

CRL Adjustable Astragal Replacement Pile Weatherstrip

- **Designed to Replace Worn Weatherstrip Pile on Adjustable Astragals**
- **Weatherstrip Minimizes Air, Water, and Dust From Infiltrating Between Pairs of Doors**
- **Resists Mold, Mildew, and Corrosion**
- **Used on U.S. Aluminum Doors**

This CRL Pile Weatherstrip maximizes the energy efficient qualities of fiber pile by adding a dual barrier. The weatherstrip minimizes air, dust, and insects from infiltrating the center of doors that use our Adjustable Astragal. The polypropylene black fiber pile resists mold, mildew, and corrosion, and has exceptional resistance to abrasion. It is silicone treated to repel water, and stabilized against ultraviolet and ozone. This Weatherstrip is installed by simply sliding it into the pile channel of the existing CRL Adjustable Astragal.



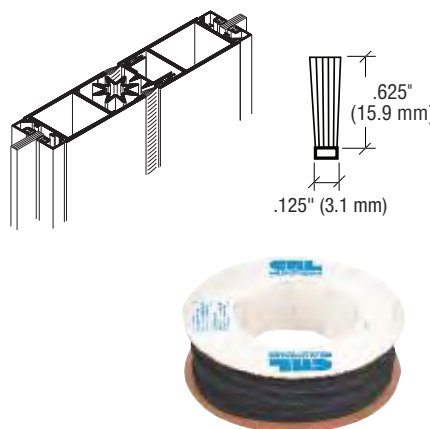
100 FT. ROLL CAT. NO.	PILE HEIGHT	BULK ROLL CAT. NO.	BULK ROLL LENGTH
W510C	.375" (9.5 mm)	W510B	2000' (609.6 m)

Minimum order: 1 roll. 100 foot rolls can be combined with all other 100 foot rolls of Pile for quantity pricing. Bulk rolls can be combined with all other bulk rolls of Pile for quantity pricing.

CRL Vanguard Security Astragal Replacement Pile Weatherstrip

- **Stops Air, Water, and Dust From Infiltrating the Joint Between Pairs of Doors**
- **Designed to Replace Worn Pile Weatherstrips on U.S. Aluminum Doors With Vanguard Security Astragals**
- **Resists Mold, Mildew, and Corrosion**

This CRL Pile Weatherstrip is installed by simply sliding it into the pile channel of the existing U.S. Aluminum Vanguard Security Astragal frame. The polypropylene black fiber pile resists mold, mildew, and corrosion, and has exceptional resistance to abrasion. It is silicone treated to repel water, and stabilized against ultraviolet and ozone. The backing strip is polypropylene and lasts longer than plastic weatherseals.



100 FT. ROLL CAT. NO.	PILE HEIGHT	BULK ROLL CAT. NO.	BULK ROLL LENGTH
W562C	.625" (15.9 mm)	W562B	1500' (457.2 m)

Minimum order: 1 roll. 100 foot rolls can be combined with all other 100 foot rolls of Pile for quantity pricing. Bulk rolls can be combined with all other bulk rolls of Pile for quantity pricing.