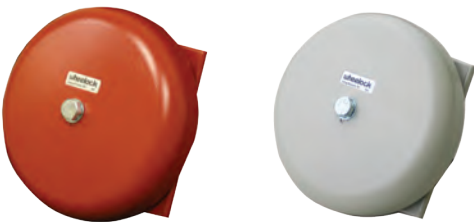


43T AC bells



10" BELLS



6" BELLS

Description

The Wheelock 43T bells provide the durable operation and dependable performance required for life safety alarm systems.

A complete range of vibrating models is offered in 6" and 10" sizes for 115- or 24-volt AC operation in indoor or outdoor installations. All models provide high sound output with low power consumption. All models are provided with screw terminal inputs for secure in-out field wiring.

Features & benefits

- High sound output with low current draw
- 6" and 10" shell sizes in 115 or 24 AC models
- Integral RFI suppression minimizes induced noise on alarm lines
- Semi-flush mounting to standard 4" square backboxes or surface mounting to Wheellocks surface backboxes
- Polarized for supervision of alarm lines with screw terminal inputs for fast and secure in-out field wiring of #12 to #18 AWG wire
- Attractive textured finish to enhance appearance and durability
- For combined audible (bell) and visual signaling, convenient retrofit assemblies (Series RSSP) are available with multi-candela or single candela strobes (See Data Sheet S0410 or Wheelock Fire Products Catalog)

Note: All CAUTIONS and WARNINGS are identified by the symbol . All warnings are printed in bold capital letters.

WARNING

PLEASE READ THESE SPECIFICATIONS AND ASSOCIATED INSTALLATION INSTRUCTIONS CAREFULLY BEFORE USING, SPECIFYING OR APPLYING THIS PRODUCT. FAILURE TO COMPLY WITH ANY OF THESE INSTRUCTIONS, CAUTIONS OR WARNINGS COULD RESULT IN IMPROPER APPLICATION, INSTALLATION AND/OR OPERATION OF THESE PRODUCTS IN AN EMERGENCY SITUATION, WHICH COULD RESULT IN PROPERTY DAMAGE, AND SERIOUS INJURY OR DEATH TO YOU AND/OR OTHERS.

Approvals & compliances

- Approvals include: UL Standard 464, Factory Mutual (FM), and California State Fire Marshal (CSFM).
- Complies with OSHA 29,Part 1910.165

Drawings

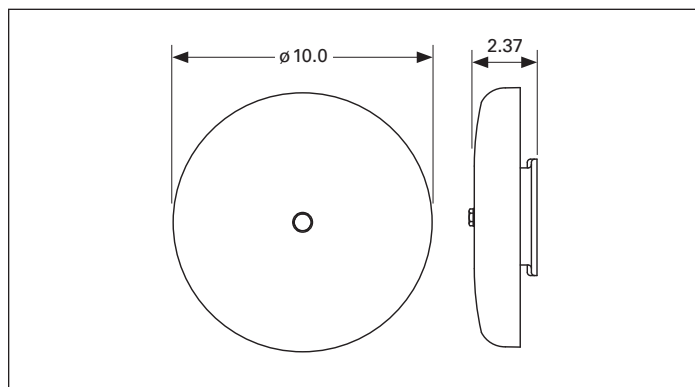


Figure 1. 43T-G10 front and side views

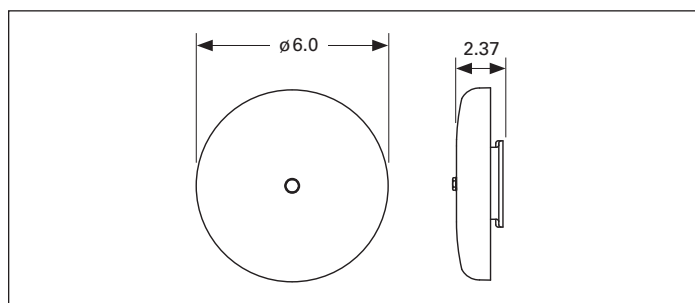


Figure 2. 43T-G6 front and side views

Table 1. Specifications and ordering information: MB models

Model number	Order code	Shell size	Input voltage	Input current	dBA @ 10 ft.	Mounting options ^①
43T-G6-24-R	1627	6"	24 VAC	0.410	86	D, E, J, K, N, O, P, R, S
43T-G6-24-S	1626	6"	24 VAC	0.410	86	
43T-G6-115-R	1631	6"	115 VAC	0.085	86	
43T-G6-115-S	1630	6"	115 VAC	0.085	86	
43T-G10-24-R	1647	10"	24 VAC	0.410	88	
43T-G10-24-S	3800	10"	24 VAC	0.410	88	
43T-G10-115-R	1651	10"	115 VAC	0.085	88	
43T-G10-115-S	3693	10"	115 VAC	0.085	88	

^① Refer to data sheet TD450028EN for mounting options.

Notes: 1. Typical dBA at 10 feet is measured in an anechoic chamber.

Notes: 2. All models are provided with in-out screw terminals.

Notes: 3. Each bell mechanism is adjusted to operate only with the shell provided. Do not mix shells and mechanisms during installation.

Wheelock products must be used within their published specifications and must be PROPERLY specified, applied, installed, operated, maintained and operationally tested in accordance with their installation instructions at the time of installation and at least twice a year or more often and in accordance with local, state and federal codes, regulations and laws. Specification, application, installation, operation, maintenance and testing must be performed by qualified personnel for proper operation in accordance with all of the latest National Fire Protection Association (NFPA), Underwriters' Laboratories (UL), National Electrical Code (NEC), Occupational Safety and Health Administration (OSHA), local, state, county, province, district, federal and other applicable building and fire standards, guidelines, regulations, laws and codes including, but not limited to, all appendices and amendments and the requirements of the local authority having jurisdiction (AHJ).

Architects and engineers specifications

The alarm signals shall be Wheelock 43T bells or approved equal. They shall be UL Listed for Fire Protective Service with models for vibrating operation and optional steel shells from 6" to 10" diameter. Sound output at 10 feet shall range up to 88 dBA. The bells shall semi-flush mount to standard 4" square backboxes or surface mount to Wheelock indoor BB backbox or outdoor WBB backbox. All bell models shall be polarized for line supervision and shall have screw terminals for in-out field wiring. The finish on all models shall be textured enamel.

Note: Due to continuous development of our products, specifications and offerings are subject to change without notice in accordance with Cooper Wheelock, Inc., dba Eaton, standard terms and conditions.



WE ENCOURAGE AND SUPPORT NICET CERTIFICATION
3-YEAR WARRANTY

Eaton
1000 Eaton Boulevard
Cleveland, OH 44122
United States
Eaton.com

Eaton
Life safety & mass notification solutions
273 Branchport Ave.
Long Branch, NJ 07740
www.eaton.com/massnotification

© 2016 Eaton
All Rights Reserved
Printed in USA
Publication No. TD450054EN
September 2016