

# VB-H761LVE & VB-H760VE

All-weather bullet cameras with infrared LEDs, ideal for long range monitoring around the clock.

Features a 1/3" Full HD CMOS sensor, fast auto focusing 20x zoom lens, 60m infrared range and multiple built-in analytics.



- Powerful 20x optical zoom and fast, accurate auto focusing
- Fully featured bullet cameras for outstanding images any time of day or night
- Built for all weather conditions and extreme temperatures down to -50°C\*
- Clear IR Mode\* and built-in infrared LEDs for detailed black and white images
- Motion Adaptive Noise Reduction and Area-Specific Data Size Reduction (ADSR) help reduce data size while optimising image quality
- Built-in analytics functions for intelligent and efficient alarm detection
- Live monitoring and configuration on supported web browsers and mobile devices
- ONVIF® Profile S and Profile G compliant

## Product Range

**VB-H761LVE**  
**VB-H760VE**  
VB-H751LE  
VB-M741LE  
VB-M740E



\* Clear IR Mode, PoE+ AC/DC, IR LEDs & -50°C - VB-M761LVE

# Technical Specifications

# VB-H761LVE & VB-H760VE

	VB-H761LVE	VB-H760VE
<b>CAMERA</b>		
<b>Image Sensor</b>	1/3 type CMOS (primary color filter)	
<b>Number of Effective Pixels</b>	Approx. 2.1 million pixels	
<b>Scanning Method</b>	Progressive	
<b>Lens</b>	20x optical zoom (20x digital zoom) lens with auto focus	
<b>Focal Length</b>	4.7 (W) - 94 mm (T)	
<b>F-number</b>	F1.6 (W) - F3.5 (T)	
<b>Viewing Angle</b>	<b>For 16:9 aspect ratios:</b> Horizontal: 60.4° (W) - 3.2° (T) Vertical: 35.1° (W) - 1.8° (T)  <b>For 4:3 aspect ratios:</b> Horizontal: 46.3° (W) - 2.4° (T) Vertical: 35.1° (W) - 1.8° (T)	
<b>Day/Night Switch</b>	Auto / Day Mode / Night Mode	
<b>Min. Subject Illumination</b>	Day Mode (colour): 0.06 lux (F1.6, shutter speed 1/30 sec., SSC off, 50IRE) Night Mode (monochrome): 0 lux / 0.04 lux (F1.6, shutter speed 1/30 sec., SSC off, 50IRE with IR light on / off)	Day Mode (colour): 0.06 lux (F1.6, shutter speed 1/30 sec., SSC off, 50IRE) Night Mode (monochrome): 0.003 lux (F1.6, shutter speed 1/30 sec., SSC off, 50IRE)
<b>Focus</b>	Auto / One-shot AF / Manual / Fixed at infinity	
<b>Shooting Distance (from front of lens)</b>	Day Mode: 0.3 m (12 in.) - infinity (W), 1.0 m (3.3 ft.) - infinity (T) Night Mode: 1.0 m (3.3 ft.) - infinity (W), 1.5 m (4.9 ft.) - infinity (T)	
<b>Shutter Speed</b>	1, 1/2, 1/4, 1/8, 1/15, 1/30, 1/50, 1/60, 1/100, 1/120, 1/250, 1/500, 1/1000, 1/2000, 1/4000, 1/8000, 1/10000, 1/16000 sec.	
<b>Exposure</b>	Auto / Auto (Flickerless) / Auto (Shutter-priority AE) / Auto (Aperture-priority AE) / Manual (Shutter Speed, Aperture, Gain)	
<b>White Balance</b>	Auto / Light Source / Manual Light Source: Daylight Fluorescent / White Fluorescent / Warm Fluorescent / Mercury Lamp / Sodium Lamp / Halogen Lamp Manual: One-shot WB / R Gain / B Gain	
<b>Metering Mode</b>	Center-Weighted / Average / Spot	
<b>Exposure Compensation</b>	9 levels	
<b>Smart Shade Control</b>	Auto / Manual / Disable Auto: 3 levels Manual: 7 levels - Brightens shaded areas of a video	
<b>Haze Compensation</b>	Auto / Manual / Disable Auto: 3 levels Manual: 7 levels	
<b>AGC Limit</b>	6 levels	
<b>Image Stabilizer</b>	2 levels (digital)	
<b>Motion-Adaptive NR (Noise Reduction)</b>	Available	
<b>Clear IR Mode</b>	Available	
<b>IR Illumination Range</b>	60 m (196.9 ft.) (When using 24 V AC, PoE+)	
<b>Pan Angle Range</b>	348° (±174°)	
<b>Tilt Angle Range</b>	90° - Camera is at 0° when attached to the ceiling and facing straight down, and 90° when at a horizontal position	
<b>Rotation Angle Range</b>	360° (±180°)	
<b>SERVER</b>		
<b>Video Compression Method</b>	JPEG, H.264	
<b>Video Size</b>	JPEG, H.264: 1920 x 1080, 960 x 540, 480 x 270 1280 x 720, 640 x 360, 320 x 180 1280 x 960, 640 x 480, 320 x 240	
<b>Video Quality</b>	JPEG, H.264: 10 levels	
<b>Frame Rate</b>	JPEG: 0.1 - 30 fps H.264: 1/2/3/5/6/10/15/30 fps  - Values represent streaming performance from the camera. - The frame rate may be reduced due to Viewer computer's specs, the number of clients accessing at the same time, network loads, video quality setting, type or movement of the subject or other reasons.  Maximum frame rate when used in the following combinations: When streaming H.264(1) (1920 x 1080) and H.264(2) (all sizes) simultaneously: 15 fps When streaming H.264(1) (all sizes) and H.264(2) (1920 x 1080) simultaneously: 15 fps When streaming H.264(1) (1280 x 960) and H.264(2) (1280 x 960) simultaneously: 15 fps When streaming H.264(1) (1280 x 720) and H.264(2) (1280 x 720) simultaneously: 15 fps	
<b>I-Frame Interval</b>	0.5/1/1.5/2/3/4/5 sec.	
<b>Simultaneous Client Access</b>	Max. 30 Clients + 1 Admin Client - H.264: Max. 10 Clients	
<b>Bit Rate Control</b>	Target Bit Rate: 64/128/256/384/512/768/1024/1536/2048/3072/4096/6144/8192/10240/12288/14336/16384 kbps	
<b>ADSR: Area-specific Data Size Reduction</b>	Number of Specified Areas: Max. 8 areas Data Size Reduction Level: 3 levels	
<b>Security</b>	Camera Control: Administrator, Authorized user, Guest user (level of control varies depending on user) Access Control: User authority (user name and password), Host Access Restrictions (IPv4, IPv6) IEEE802.1X: EAP-MD5, EAP-TLS, EAP-TTLS, EAP-PEAP Encrypted Communications: SSL/TLS, IPsec	
<b>Protocol</b>	IPv4, IPv6, TCP/IP, UDP, HTTP, FTP, SNMPv1/v2c/v3 (MIB2), DHCP, DNS, AutoIP, mDNS, ARP, ICMP, POP3, NTP, SMTP, RTP/RTCP, RTPS, SSL/TLS, IPsec, ONVIF, WV-HTTP (Canon proprietary)	
<b>Audio Compression Method</b>	G.711 μ-law (64 kbps)	
<b>Audio Communication Method</b>	Full-duplex (two-way) - Echo cancellation function compliant RTP, Sound Transfer Protocol by Canon	

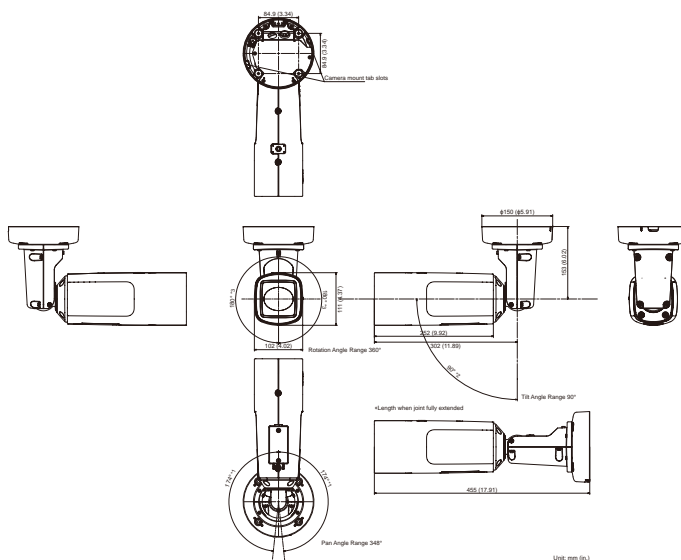
	VB-H761LVE	VB-H760VE
<b>Audio File Playback</b>	Available (audio files can be played back when an event is triggered by the intelligent function or external device input) - A third-party amplifier speaker is necessary	-
<b>Privacy Mask</b>	Number of registration: Max. 8 places, Number of mask colors: 1 (select from 9 colors)	
<b>View Restriction</b>	Available	
<b>Preset</b>	Number of registers: Max. 20 positions (+Home Position) Number of Preset Tour Route: Max. 5	
<b>Intelligent Function (Video)</b>	Moving Object Detection, Abandoned Object Detection, Removed Object Detection, Camera Tampering Detection, Passing Detection, and Intrusion Detection Detection Settings: Max. 15 Non-detection Area Settings: Available	
<b>Intelligent Function (Audio)</b>	Volume Detection, Stream Detection	
<b>Event Trigger Type</b>	External Device Input, Intelligent Function (Video), Intelligent Function (Audio), Timer, Day/Night Switch Number of Linked Events: 2 Linked Event Conditions: OR, AND (whether or not there is a sequence to events)	Intelligent Function (Video), Timer, Day/Night Switch
<b>Image Upload</b>	FTP/HTTP/SMTP (e-mail)	
<b>Event Notification</b>	HTTP/SMTP (e-mail)	
<b>Log Notification</b>	SMTP (e-mail)	
<b>Image Cropping Function</b>	Digital PTZ Cropping sizes: 640 x 360 / 512 x 288 / 384 x 216 / 256 x 144 / 128 x 72 640 x 480 / 512 x 384 / 384 x 288 / 256 x 192 / 128 x 96	
<b>Enhanced Digital Zoom</b>	Available	
<b>Maximum Digital Zoom Magnification Selection (ZB080)</b>	5x/10x/15x/20x	
<b>On-Screen Display</b>	Available : English/Chinese (Simplified)/Japanese	
<b>Daylight Saving Time</b>	Available	
<b>INTERFACE</b>		
<b>Network Terminal</b>	LAN x1 (RJ45, 100Base-TX (auto / full-duplex / half-duplex))	
<b>Audio Input Terminal (common for LINE IN &amp; MIC IN)</b>	φ3.5 mm (φ0.14 in.) mini-jack connector (monaural) LINE IN (connect to an amplifier microphone) or MIC IN (connect to a microphone w/o amplifier) - Switch LINE IN/MIC IN in the Setting Page.	-
<b>Audio Output Terminal (LINE OUT)</b>	φ3.5 mm (φ0.14 in.) mini-jack connector (monaural) LINE OUT (connect to an amplifier speaker)	-
<b>External Device I/O Terminal</b>	Input x 2, Output x 2	
<b>Memory Card</b>	SD Memory Card, SDHC Memory Card, SDXC Memory Card Compatible. Recorded Content: Log, Video (Event, Manual, ONVIF, Timer, Upload) Frame Rate: Max. 1 fps (JPEG) Max. 30 fps (H.264) - To insure reliability in the recording speed, it is recommended to use CLASS 10 rated products. Even when using CLASS 10 products, reliability cannot be guaranteed during heavy access loads (e.g., when recording and deleting data at the same time).	
<b>OTHER</b>		
<b>Operating Environment</b>	Temperature Operating Temperature Range (including direct sun exposure) AC, PoE+: -50°C - +55°C (-58°F - +131°F) DC, PoE: -10°C - +55°C (+14°F - +131°F) Start-up Temperature Range (including direct sun exposure) AC, PoE+: -30°C - +55°C (-22°F - +131°F) DC, PoE: -10°C - +55°C (+14°F - +131°F) Humidity 5% - 85% (without condensation)	Temperature Operating Temperature Range (including direct sun exposure) PoE: -10°C - +55°C (+14°F - +131°F) Start-up Temperature Range (including direct sun exposure)PoE: -10°C - +55°C (+14°F - +131°F) Humidity 5% - 85% (without condensation)
<b>Installation Method</b>	Ceiling mount / Surface mount	
<b>Power Supply</b>	PoE: PoE power supply via LAN connector (IEEE802.3at Type1/Type2 compliant) AC Adapter: PA-V18 (100 - 240 V AC) (sold separately) External power source: 24 V AC/12 V DC	PoE: PoE power supply via LAN connector (IEEE802.3at Type1 compliant)
<b>Power Consumption</b>	PoE+: Max. approx. 19.6 W*1 PoE: Max. approx. 10.4 W*2 AC Adapter PA-V18: Max. approx. 12.7 W (100 V AC) Max. approx. 12.9 W (240 V AC) DC: Max. approx. 11.0 W AC: Max. approx. 20.0 W *1 Class 4 power sourcing equipment (requests 30.0 W) *2 Class 0 power sourcing equipment (requests 15.4 W)	PoE: PoE power supply via LAN connector (IEEE802.3at Type1 compliant)
<b>Dimensions</b>	"(H x W x D) 111 mm x 102 mm x 252 mm (4.37 in. x 4.02 in. x 9.92 in.) (camera body only) - Length when joint fully extended (D): 455 mm (17.91 in.)"	
<b>Weight</b>	Approx. 3420 g (7.54 lb.)	Approx. 3360 g (7.41 lb.)
<b>Impact Resistance</b>	IK09 (10J)	
<b>Dust-resistant/Waterproof Specification</b>	IP66	
<b>International Standard</b>	EN55032 Class A, FCC part15 subpart B Class A, ICES-003 Class A, VCCI Class A, RCM AS/NZS EN55032 Class A, CNS13438 Class A, KN32 Class A, EN55024, KN35, EN55058, EN62471 IEC/UL/EN 60950-1, IEC/UL/EN 60950-22, EN50130-4, EN61000-6-1, EN61000-6-2, IEC/UL/EN 60529 IP66, IEC/UL/EN 62262 IK09, NEMA 250 Type 4X, EN50121-4	EN55032 Class A, FCC part15 subpart B Class A, ICES-003 Class A, VCCI Class A, RCM AS/NZS EN55032 Class A, EN55024, EN55058 IEC/UL/EN 60950-1, IEC/UL/EN 60950-22, EN50130-4, EN61000-6-1, EN61000-6-2, IEC/UL/EN 60529 IP66, IEC/UL/EN 62262 IK09, NEMA 250 Type 4X, EN50121-4

	VB-H761LVE	VB-H760VE
<b>APPLICATION</b>		
<b>Viewer</b>	Camera Viewer - Supports Video Display Rotation Mobile Camera Viewer	
<b>Included Software</b>	Camera Management Tool RM-Lite Recorded Video Utility	
<b>Language</b>	German/English/Spanish/French/Italian/Polish/Russian/Thai/Turkish/Chinese (Simplified)/Japanese	
<b>Operating System/ Compatible Browser</b>	Windows Vista, Internet Explorer 9 Windows 7, Internet Explorer 11/Chrome 54 Windows 8.1, Internet Explorer 11/Chrome 54 Windows 10, Internet Explorer 11/Microsoft Edge/Chrome 54 Windows Server 2008, Internet Explorer 9 Windows Server 2008 R2, Internet Explorer 11/Chrome 54 Windows Server 2012, Internet Explorer 10/Chrome 54 Windows Server 2012 R2, Internet Explorer 11/Chrome 54 Windows Server 2016, Internet Explorer 11/Chrome 54	
<b>Verified Mobile Devices</b>	Surface, iPad, iPhone, Nexus, Galaxy	

### What's in the box?

- Setup CD-ROM
- Safety Wire
- Safety Wire Fixing Screw
- Ceiling Plate
- Wrench
- Template
- Waterproof Rubber Seal
- Power Connector (VB-H761LVE)
- IO/Audio Interface Cable (VB-H761LVE)
- Installation Guide
- Warranty Card
- Leaflet of warranty card

### Dimensions



### Compatible Accessories



**CB740-VB**  
Conduit Box



**PC640-VB**  
Pendant Mounting Kit



**PA-V18**  
AC Power Supply  
\*Available in Euro 2-Pin  
& UK 3-Pin plug

# VB-H761LVE & VB-H760VE

All-weather bullets cameras with infrared LEDs, ideal for long range monitoring around the clock.

Features a 1/3" Full HD CMOS sensor, fast auto focusing 20x zoom lens, 60m infrared range and multiple built-in analytics.

Sales Start Date: November 2016



## Product Details:

Product Name	Mercury Code	EAN Code
Network Camera VB-H761LVE	1062C001AB	4549292077681
Network Camera VB-H760VE	1063C001AB	4549292077698

## Optional Accessories:

Product Name	Mercury Code	EAN Code
Pendant Mounting Kit PC640-VB	0719C001AA	4549292043532
Conduit Box CB740-VB	0712C001AA	4549292043464
AC Adapter PA-V18 (E)	8362B002AA	4960999986791
AC Adapter PA-V18 (GB)	8362B003AA	4960999986319

## Measurement / Logistic Information:

Product Name	Mercury code	Pack type	Pack description	Quantity per pack	Length (mm)	Width (mm)	Height (mm)	Net Weight (kg)	Gross Weight (kg)
Network Camera VB-H761LVE	1062C001AB	EA	Each	1	199	537	239	3.4	5.4
		CT	Carton	2	500	557	235	6.8	
		EP	Euro Pallet	12				41	
Network Camera VB-H760VE	1063C001AB	EA	Each	1	199	537	239	3.4	5.3
		CT	Carton	2	557	500	235	6.7	
		EP	Euro Pallet	12				40.3	

## What's in the box?

- Setup CD-ROM
- Safety Wire
- Safety Wire Fixing Screw
- Ceiling Plate
- Wrench
- Template
- Waterproof Rubber Seal
- Power Connector (VB-H761LVE)
- IO/Audio Interface Cable (VB-H761LVE)
- Installation Guide
- Warranty Card
- Leaflet of warranty card