

81 / 82 SERIES MULTIMODE

Eight or Sixteen Channel Contact Closure System With Power Fail Safe Normally Open / Normally Closed Outputs



FEATURES:

- Form-C (Normally Open or Normally Closed) Dry Contact Closure
- Latching Relays reduce power requirement
- User-Selectable feature maintains Contact Status through Power-Cycle and Loss-of-Optical-Power.
- User Control to Reset all Contact Status
- Diagnostics: DC Power, Optical Presence, and Channel Indicators
- High Density DB26 Data Connector with Adaptor to screw terminal

SPECIFICATIONS:

Contact Closure:

Input..... Switch Closure to Ground
 Output Dry Contact
 Response Time..... 0.5 ms
 Maximum Voltage..... 40 VDC or Peak AC
 Maximum Current..... 0.5 amp
 Connector DB 26 with Adaptor
 To Screw Terminal Block

Optical:

Wavelength 1310 nm
 Loss Budget (62.5/125µ)..... 12 dB
 Connector ST

Temperature (Operating):

-40°C to +75°C, non-condensing

Power Supply:

Module - 12 VDC (AFI Part #: PS-12D)
 Power Consumption 3 Watts
 Rack Card (See AFI Part #: SR-20D/2)
 Power Consumption 3 Watts

Size (81 Series):

Module..... 8 1/8" x 4 1/8" x 1 1/8"
 Rack Card..... 6 1/2" x 5" x 1"

Size (82 Series):

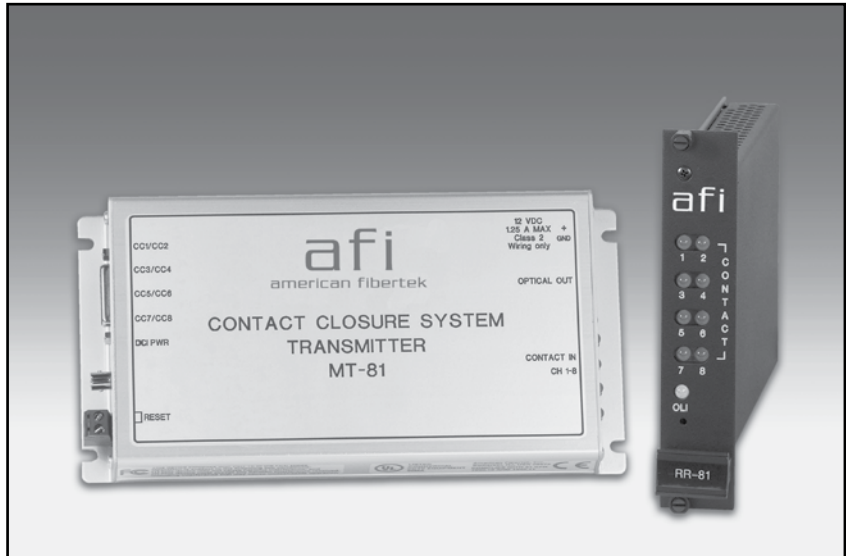
Module..... 8 1/8" x 4 1/8" x 1 1/2"
 Rack Card..... 6 1/2" x 5" x 2"

Note: 82 Series Rack Card Requires Two Slots

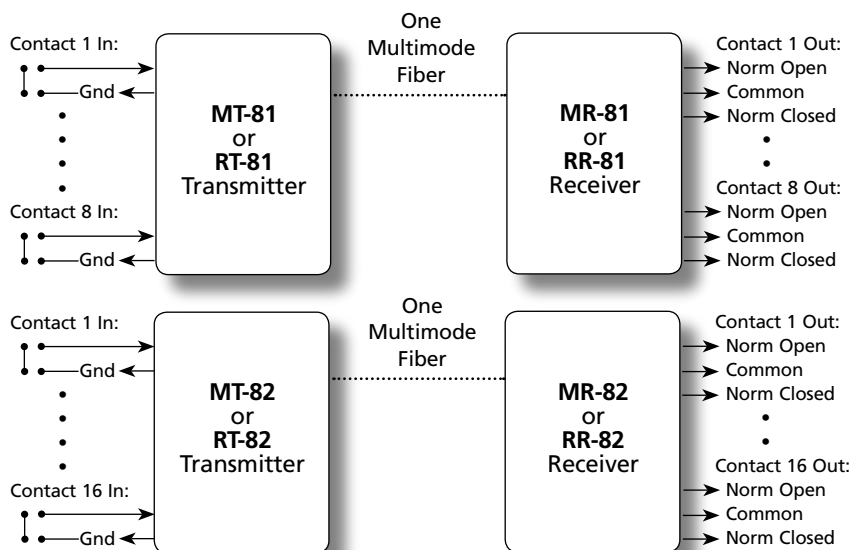
ORDERING INFORMATION:

- MT-81 = Module Transmitter- 8 Channel
- RT-81 = Rack Card Transmitter- 8 Channel
- MR-81 = Module Receiver- 8 Channel
- RR-81 = Rack Card Receiver- 8 Channel
- MT-82 = Module Transmitter-16 Channel
- RT-82 = Rack Card Transmitter-16 Channel
- MR-82 = Module Receiver-16 Channel
- RR-82 = Rack Card Receiver-16 Channel

THE 81SL SERIES AND 82SL SERIES ARE AVAILABLE FOR SINGLEMODE APPLICATIONS



The American Fibertek 81 Series multiplexes 8 channels of dry latching contact closure on one multimode fiber. The American Fibertek 82 Series multiplexes 16 channels of dry latching contact closure on one multimode fiber. A user-selectable feature allows the contact status to be maintained unchanged or reset through power-cycle and loss-of-optical-power. A reset button is available to clear all contact status to the default state. Individual channel LEDs on the transmitter and the receiver units indicate the channel status. These systems require no field adjustments at installation or additional maintenance thereafter. Diagnostic indicators provide a quick visual indication of system status. Equipment may be ordered as stand alone modules or rack cards that are mounted in the SR-20D/2 or SR-20R/1 AFI Card Cages. **The "Afinety" intelligent remote monitoring system is available on the Rack Card product, please consult factory.**



[SEE WEBSITE FOR CURRENT RoHS PRODUCT AVAILABILITY](#)