

# 40 Series Mortise Cylinders and 34 Series Rim Cylinders

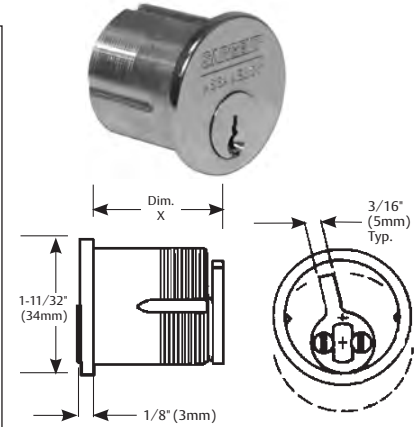
## Cylinders and Components



### 40 Series Mortise Cylinder

- Cylinder: Solid brass, 1-5/32" (29mm) diameter
- Cap: Brass, bronze or stainless steel
- Furnished standard with No. 97 rosette and compression spring
- Optional Collars/Spacers available and ordered separately, refer to product catalogs for additional information
- See Cam Chart on Page 6 for cam required
- 6 pin standard; for 7 pin specify "7 pin", size 42 minimum
- No. 41 cylinder not available in 7 pin
- Mortise cylinder assemblies that are ordered without hardware are supplied with standard SARGENT offset cam 13-0664
- Cylinder finishes: 3, 4, 9, 10, 10B, 10BE, 10BL, 15, 20D, 32, 32D
- Plug finishes: 4, 15

		Length under cylinder head									
Cylinder No.		41	42	43	44	46	48	50	52	54	56
Dim. X		1-1/8" (29mm)	1-1/4" (32mm)	1-3/8" (35mm)	1-1/2" (38mm)	1-3/4" (44mm)	2" (51mm)	2-1/4" (57mm)	2-1/2" (64mm)	2-3/4" (70mm)	3" (76mm)



### 50-40 Series Hotel Type Cylinder

#### Features same as standard 40 Series cylinders except:

- For use with 7850 or 8250 lock only
- 6 pin only
- Contact factory for compatibility requirements for existing 6 pin systems
- Uses only cam #115 (13-2045)
- Guest and Master keys will only retract the latch bolt but not project or retract the dead bolt
- Emergency keys (catalog # 7268 EMK) retract the latchbolt and deadbolt and can also project the deadbolt
- C Series keyways supplied standard, specify if different keyway is required. On 1 bitted or KD, CA key way will be supplied if not otherwise specified
- Consult Sargent Key records dept. when adding Hotel cylinders to existing key systems for compatibility
- Length under cylinder head (Dim. X)  
50-43 1-3/8" (35mm); 50-44 1-1/2" (38mm)

### 78-40 Series Exposed Shell Only Cylinders

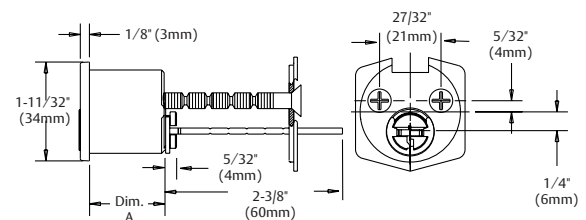
- Cylinder: Solid brass, 1-5/32" (29mm) diameter
- 6 pin standard, for 7 pin specify "7 pin"
- For use with SARGENT mortise locks with Escutcheon Trim (KE 3/4, LE 3/4) only
- See Function Table on Page 6 for cam required
- 78-41 6 pin; single cylinder function only except 50
- 78-42 6 or 7 pin; single cylinder functions only
- 78-43 6 or 7 pin; all functions except 50
- Plug finishes: 4, 15



### 34 Series Rim Type Cylinder

- 27/32" (21mm) screw pattern for through-bolted SARGENT exit devices
- Cylinder: Solid brass
- Cap: Brass, bronze or stainless steel
- Furnished standard with No. 97 rosette and compression spring, "break-off" screws and back plate
- 6 pin standard, for 7 pin specify "7 pin"
- Horizontal tail piece only
- Cylinder finishes: 3, 4, 9, 10, 10B, 10BE, 10BL, 15, 20D, 32, 32D
- Plug finishes: 4, 15

No. of Pins	Door Thickness when used with outside trim	Dim. A (Min.)
6	2-3/8" to 3-1/4" (60mm to 82mm)	1-1/16" (27mm)
7	2-1/2" to 3-1/2" (64mm to 89mm)	1-7/32" (31mm)



All cylinders are standard 6 pin and are supplied with 2 nickel silver change keys unless noted. In cylinders ordered for 5 pin systems, the (6th) last chamber will be empty.

When double cylinder locksets are keyed alike on both sides, 2 change keys are supplied.

For cylinders in competitive keyways, see Page 11.

Cylinders are supplied random keyed unless specified 1 bitted or master keyed. For master keyed orders provide keying details as requested on SARGENT Keyed Order Lead Sheets, located in the price book or contact customer service.

Cylinders BHMA A156.5 Grade 1 listed except hotel functions.

Copyright © 2006, 2008-2017, Sargent Manufacturing Company, an ASSA ABLOY Group company. All rights reserved. Reproduction in whole or in part without the express written permission of Sargent Manufacturing Company is prohibited.

90622:1 04/01/17

# Cylinder Parts: Mortise and Rim Cylinders

## Cylinders and Components

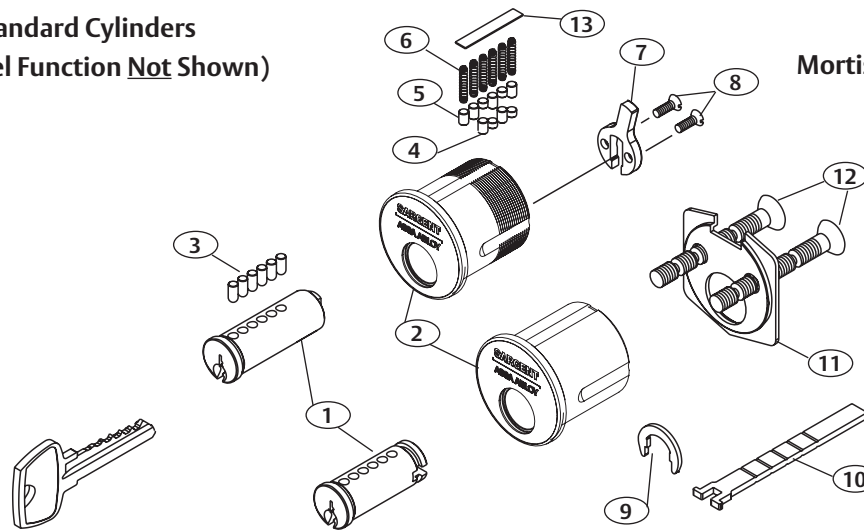


### 34 Rim/40 Series Mortise Cylinder Parts

Item	Description	Part Number	Where Used	Comment
1	Plug	See Table Below	40 Mortise & 34 Rim	
2	Cylinder Shell, Cap & Slide Assy.	See Table Below	40 Mortise & 34 Rim	Illustration Shows Slide Disassembled
3	Bottom Pin	See Table Page 13	40 Mortise & 34 Rim	
4	Master Pin	13-0062	40 Mortise & 34 Rim	Pin No. 10 (Length .260)
5	Top Pin	See Table Page 13	40 Mortise & 34 Rim	
6	Compression Spring	13-0265	40 Mortise & 34 Rim	
7	Cam	See Table Page 6	40 Mortise	
8	Screw	01-1121	40 Mortise	#3-48 x 5/16" (8mm) PH. FL.
9	Plug Retainer	13-0080	34 Rim	
10	Tail Piece	13-0085	34 Rim	
11	Cylinder Back Plate	13-0086	34 Rim	
12	Connecting Screws Standard Connecting Screws	13-0075 13-0074	34 Rim 34 Rim	#12-24 x 2-5/8" (67mm) #12-24 x 2-1/8" (54mm)
13	6 Pin Slide 7 Pin Slide	13-0779 13-0780	40 Mortise & 34 Rim 40 Mortise & 34 Rim	Mfg prior to 06-2008* Mfg prior to 06-2008*
13	6 Pin Slide 7 Pin Slide	13-1341 13-1797 v	40 Mortise & 34 Rim 40 Mortise & 34 Rim	Mfg after 06-2008* Mfg after 06-2008*

\* See page 10 for Details

**Standard Cylinders**  
(Hotel Function Not Shown)

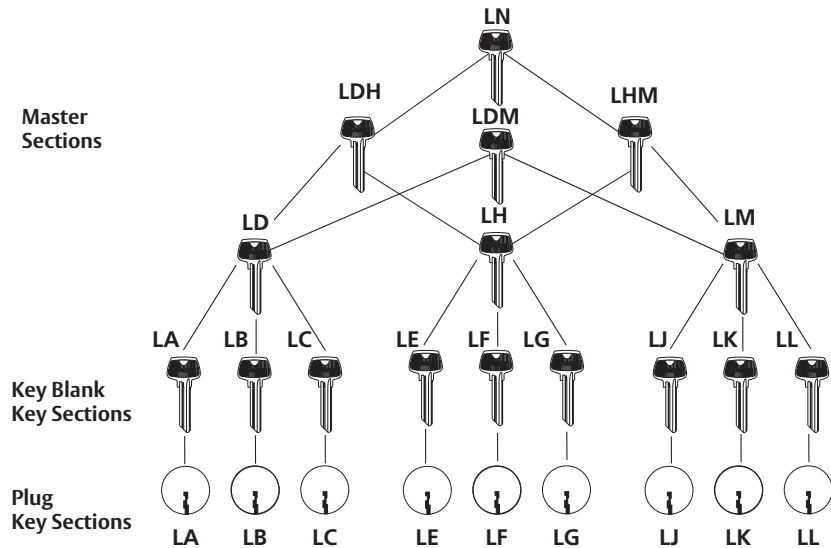


No.	Cylinder Length	6 Pin Plug Part Number	7 Pin Plug Part Number	6 Pin Shell & Slide Assy. Part Number	7 Pin Shell & Slide Assy. Part Number
34	—	13-0090	13-0587	13-2005	13-2712
41	1-1/8" (29mm)	13-0401	N/A	13-2005	N/A
42	1-1/4" (32mm)	13-0402	13-0402	13-2006	13-2765
43	1-3/8" (35mm)	13-0403	13-0403	13-2766	13-2766
44	1-1/2" (38mm)	13-0404	13-0404	13-2767	13-2767
46	1-3/4" (44mm)	13-0405	13-0405	13-2768	13-2768
48	2" (51mm)	13-0406	13-0406	13-2769	13-2769
50	2-1/4" (57mm)	13-0407	13-0407	13-2770	13-2770
52	2-1/2" (64mm)	13-0408	13-0408	13-2771	13-2771
54	2-3/4" (70mm)	13-0409	13-0409	13-2772	13-2772
56	3" (76mm)	13-0474	13-0474	13-2773	13-2773

### Key Blanks/Key Sections, Bitting Lists Cylinders and Components

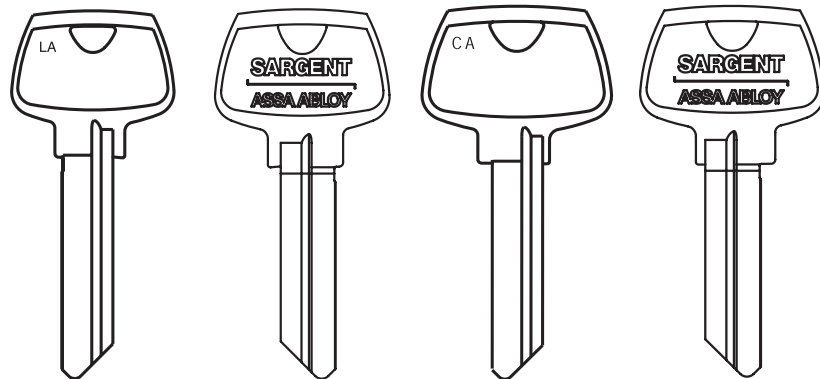
5 Pin		6 Pin		7 Pin	
Key Blank	Key Section	Key Blank	Key Section	Key Blank	Key Section
265	U R	6265	U R S		LD LH LM LDH LDM LHM LN RD RH RM RDH RDM RHM RN
270	LD LH LM LDH LDM LHM LN RD RH RM RDH RDM RHM RN	6270	HD HH HM HHM HDH HDM HN  RD RH RM RDH RDM RHM RN	7270	LD LH LM LDH LDM LHM LN RD RH RM RDH RDM RHM RN
273	CD CH CM CDH CHM CN	6273	CD CH CM CDH CHM CN	7273	CD CH CM CDH CHM CN
275	S				
275	LA LB LC LE LF LG LJ LK LL RA RB RC RE RF RG RJ RK RL	6275	HA HB HC HE HF HG HJ HK HL  RA RB RC RE RF RG RJ RK RL	7275	LA LB LC LE LF LG LJ LK LL RA RB RC RE RF RG RJ RK RL
278	CA CB CC CE CF CG CJ CK CL CR	6278	CA CB CC CE CF CG CJ CK CL CR	7278	CA CB CC CE CF CG CJ CK CL CR

#### For Multiplex Masterkey Systems (L keyway family shown, others similar)



#### Multi Keyway Systems

- L – System Stock Keyways
- C – System Hotel Keyway (Furnished in Large Bow only)
- H – System Contract Master Key Systems
- R – System Contract MasterKey Systems



Standard 6 pin

Large Bow approximately 15% larger than standard bow. Provided for SARGENT "C" family as standard.

#### Single Keyway Sections

- R Section \*
- S Section
- U Section \*
- CR Section

\* Cylinders ordered in either U or R single section only. Offered as 1 bitted for field keying

**Restricted Keyways:** Restricted keyways are SARGENT (factory) controlled geographically to limit sales and prevent unauthorized key duplication.

For availability of restricted keyways and key sections, contact SARGENT Key Records Department.

Orders for restricted keyway systems, key blanks and cylinders, require a letter of authorization from the system owner.

Copyright © 2006, 2008-2017, Sargent Manufacturing Company, an ASSA ABLOY Group company. All rights reserved. Reproduction in whole or in part without the express written permission of Sargent Manufacturing Company is prohibited.

90622:1 04/01/17