

# Cylinders for Bored, Auxiliary, Integra Lock and Mail Box Locks

## Cylinders and Components

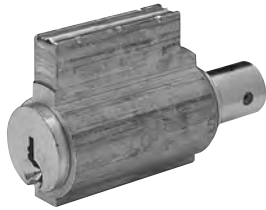


### 10, 7, 6500 & 7500 (Lever) Line Standard Cylinders




Part Numbers:  
C10-1 (13-3266) for all functions (except 50)  
C10-2 (13-3492) for Hotel 50 function

### 8 and 9 Line Cylinders\* (Knob Locks)



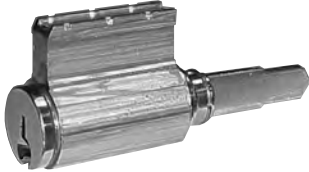
Part Numbers:  
C8-1 (13-2194) for all functions (except 50)  
C8-2 (13-2195) for Hotel 50 function

### T-Zone (11 Line) Cylinder



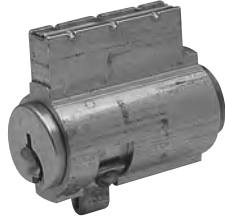
Part Numbers:  
C11-1 (13-4145) for all functions (except 50)  
C11-2 (13-4146) for Hotel 50 function

### 6 Line Cylinder



Part Numbers:	Knob	Function
C6-1 (13-3129)	S & N	All except 50
C6-1B (13-3130)	B	All except 50
C6-2 (13-3108)	S & N	50 Function
C6-2B (13-3109)	B	50 Function

### 4101 Mailbox Cylinder



Consult mailbox manufacturer to determine compatibility of cylinder and mailbox. 5 or 6 pin systems

- 2 cut day keys provided
- US Postal regulations prohibit master keyed cylinder

### 460, 470 and 480 Deadbolt & 7500 Interconnected Deadbolt Cylinders



Part Numbers:	Function
C480-1 (13-3456)	454, 474, 484
C480-2 (13-3457)	7500DB, 455, 485, 487
C480-3 (13-3458)	456, 475, 486
C460-1 (13-3495)	464
C460-2 (13-3496)	465

### 7600 Integralock Cylinder



Part Number:  
C7600-1 (13-3987)  
for all functions  
(except 26, 27, 50)

### 5\*, 8X and 5500 Line Cylinders



Part Numbers:  
C5500-1 (13-3526)  
for all functions  
(except 5 line 50)  
C5500-2 (13-3708) 5 line  
50 function hotel  
C8X-1 (13-5202)

### 758/858 Padlock Cylinder



Part Numbers:  
C750-1 for  
758/858 Padlocks  
04 Finish only

### 1655 Locker Lock Cylinder



Part Numbers:  
C1655-1  
13-1813 (tail piece)

#### \* Discontinued products

All cylinders are 6 pin and are supplied with 2 nickel silver change keys unless noted. When cylinders are ordered keyed to 5 pin systems, the (6th) last chamber will be empty. Cylinder finishes: 4 and 15. For cylinders in competitive keyways, see Page 11.

When double cylinder locksets are keyed alike on both sides, 2 change keys are supplied

Cylinders are supplied random keyed unless specified 1 bitted or master keyed. For master keyed orders provide keying details as requested on SARGENT Keyed Order Lead Sheets, located in the price book or contact customer service.

Cylinders ordered from SARGENT Turbo program are supplied as 1 bitted as standard unless otherwise specified.

Cylinders BHMA A156.5 Grade 1 listed except hotel functions, C5500 and C7600.

Copyright © 2006, 2008-2017, Sargent Manufacturing Company, an ASSA ABLOY Group company. All rights reserved. Reproduction in whole or in part without the express written permission of Sargent Manufacturing Company is prohibited.

90622:1 04/01/17