

SHALLOW DEPTH FLOOR CLOSERS

3/4" OFFSET HUNG

MODEL 51

Application

- Single Acting, Handed
- Interior Doors
- Weight to 250 lbs.*
- Door Width up to 4'0" (1219mm)



ANSI/C06041/C06051

* Door size & weight guidelines are determined using the appropriate number of intermediate pivots

Product Description & Features

- Interchangeable spindle adapters
- Allows doors to swing 180°, trim permitting
- Separate and independent valves for closing speed, latch speed and backcheck
- Available non-hold open (NBC) or automatic hold open (ABC) specify 90°, 105° or 180°
- Doors will swing 5° beyond hold open point
- Delayed action option – prefix "DA" (non-hold open only). Closer will not have backcheck
- Order spring sizes 3 through 5:

Model	Door Width
5103	36" (914mm)
5104	42" (1067mm)
5105	48" (1219mm)

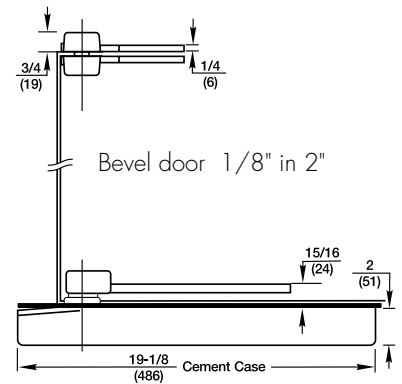
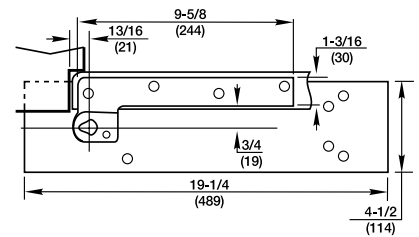
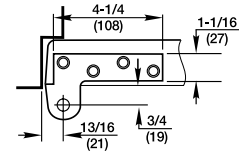
- Models available to meet ICC/ANSI A117.1 low opening force requirements. Prefix "PH"

Model	Door Width
PH5102	42" (1067mm)
PH5103	48" (1219mm)

- Available with floor plate or threshold installation (floor plate shown)
- Available 1-1/2" offset, for doors with cladding or frames with applied molding. Maximum door weight 175 lbs
- Cylolac, rustproof cement case
- Vertical door adjustment
- Standard top pivot #180 included
- For arch top doors or applications where a 180 top pivot cannot be used, supply at least two each M190 load bearing intermediate pivots, mounted together at the top of the vertical edge
- Intermediate pivot recommended: M19 (order separately), see page 11
- Doors up to 90" (2286mm) in height should use one intermediate pivot. Each additional 30" (762mm) warrants another intermediate pivot
- For fire rated openings (up to 3 hour assemblies) prefix "F". This package will be supplied with a steel top pivot (F180) and a non-hold open closer. Intermediate pivot required: FM19, order separately, see page 11
- For 20-minute label doors – suffix "-20" to the part number
- Furnished with wood and machine screws
- Extended spindles available in 1/2" increments up to 2" longer than standard

Technical Information

Frame stop required



SHALLOW DEPTH FLOOR CLOSERS

QUICK REFERENCE OF OPTIONS/HOW TO ORDER

REFERENCE

Prefix	Model	Degree if Hold Open	Holding Options	General Options	Handed	Maximum Weight*
DA, PH, F	51	90,105,180	NBC, ABC	Ext Spdl, 1-1/2 OS, -20	Yes	250
	F53		NBC	Extended Spindle	Yes	250
	F531		NBC	Extended Spindle	Yes	250
DA, PH, F	Q/QT51	90,105	NBC, ABC	Ext Spdl, -20	Yes	250
DA, PH, F	HM51	90, 105	NBC, ABC	Extended Spindle	Yes	250
DA, PH	50	90,105	NBC, ABC	Extended Spindle	Yes	250
DA, PH	5040	90,105	NBC, ABC	Extended Spindle	Yes	250
DA, PH	5020	90,105	NBC, ABC	Extended Spindle	No	250

*Offset closer weight are for 3/4" and the use of an intermediate pivot.

HOW TO ORDER

PH Prefix	510 Model	3 Spring Size	NBC Non-Hold Open	x 1/2" Ext Spdl Suffix	x LH Hand	x 626 Finish
<p>DA Delayed Action</p> <p>PH Lighter Spring (ADA)</p> <p>W Wd Dr (center hung)</p> <p>F Fire Rated Doors — not available with PH</p>	<p>510 Offset</p> <p>501 Center Hung Single Act</p> <p>F530 Independently Hung* Parallel to Frame</p> <p>F531 Independently Hung* Perpendicular to Frame</p> <p>504 Center Hung Single Act with Patch Fitting</p> <p>502 Center Hung Double Act</p> <p>Q/QT510 Quick Install</p> <p>HM510 Hollow Metal Door and Frame</p>	<p>2</p> <p>3</p> <p>4</p> <p>5</p>	<p>NBC Non-Hold Open</p> <p>90ABC Automatic Hold Open</p> <p>105ABC Automatic Hold Open</p> <p>180ABC Automatic Hold Open</p>	<p>554 Concealed Arm Extended Spindles 1-1/2" Offset</p> <p>-20 20 Minute Label Closer Body Only</p> <p>LAP Less Floor Plate</p> <p>LCC Less Cement Case</p> <p>LTP Less Top Pivot</p> <p>— Cover Pan (x depth)</p> <p>SPLO Special Layout #</p>	<p>RH Right</p> <p>LH Left</p> <p>Blank Double Acting</p>	<p>605 Bright Brass</p> <p>606 Satin Brass</p> <p>611 Bright Bronze</p> <p>612 Satin Bronze</p> <p>613 Dark Bronze</p> <p>613E Dark Oxidized Satin Bronze - equivalent</p> <p>618 Bright Nickel</p> <p>619 Satin Nickel</p> <p>622 Flat Black</p> <p>625 Bright Chrome</p> <p>626 Satin Chrome</p>

*Hanging means must be noted on purchase order.

5040 only available in 605, 629 and 630