

MODEL 27

Application

- Single Acting, Handed
- Exterior or Interior Doors
- Weight to 450 lbs.*
- Door Width up to 4'0" (1219mm)



ANSI/C06041/C06051

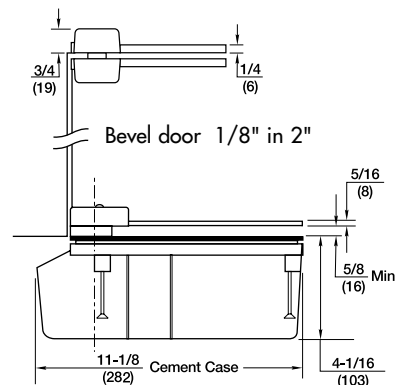
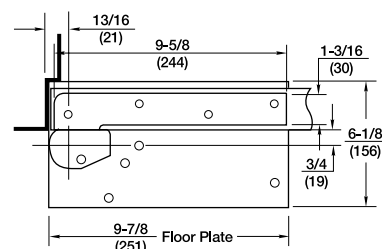
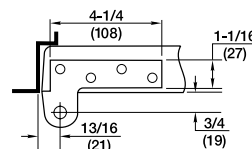
* Door size & weight guidelines are determined using the appropriate number of intermediate pivots

Product Description & Features

- Built-in positive dead stop prevents door from swinging beyond the desired opening degree (specify 85°, 90°, 95°, 105°)
- Separate and independent valves for closing speed, latch speed and backcheck
- Available non-hold open (N) or selective hold open (S) at same degree as dead stop
- Delayed action option-prefix "DA" (Non-hold open closers only)
- Models available to meet ICC/ANSI A117.1 low opening force requirements, prefix "PH". (For 8-1/2 lbs. of opening force prefix PH and suffix 8-1/2 lbs.)
- Cold weather fluid available – specify "CWF" (not available for closers with "DA")
- Sealed closer option – specify "SC"
- Available with floor plate or threshold installation (floor plate shown)
- Available 1-1/2" offset, for doors with 3/4" cladding or frames with applied molding, maximum door weight 250 lbs.
- Cylolac, rust-proof cement case
- Vertical door adjustment
- Standard top pivot: #180 included
- For arch top doors or applications when the 180 top pivot cannot be used, supply at least two each M190 load-bearing intermediate pivots, mounted together at the top of the straight vertical edge
- Intermediate pivot(s) required: M19 (order separately), see page 18
- Doors 60" (1524mm) to 90" (2286mm) in height should use one intermediate pivot. Each additional 30" (762mm) warrants another intermediate pivot
- For fire rated openings (up to 3 hour assemblies) prefix "F". This package will be supplied with a steel top pivot (F180) and a non-hold open closer. Intermediate pivot required: FM19 (order separately), see page 18
- UL listed closers cannot have PH option
- For 20-minute labeled doors suffix "-20" to the part number
- Furnished with wood and machine screws
- Extended spindles available in 1/2" increments up to 2" longer than standard

Technical Information

(Frame stop required)



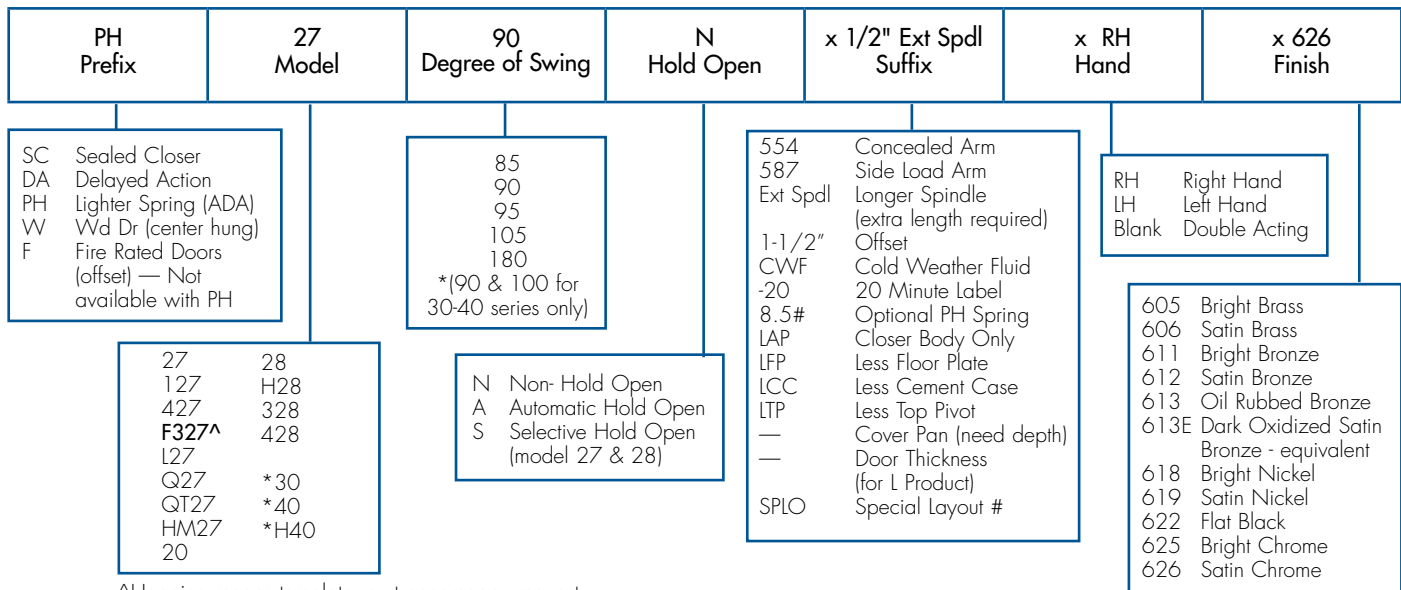
HEAVY-DUTY FLOOR CLOSERS

QUICK REFERENCE OF OPTIONS, HOW TO ORDER

Prefix	Model	Degree of Swing	Hold Open Options	General Options	Handed	Positive Dead Stop	Maximum Weight*
Offset Closers							
SC, DA, PH, F	27	85,90,95,105	N, S	Ext. Spdl, CWF, 1-1/2 OS, -20, 8.5#	Yes	Yes	450
SC, PH-F	27-180	180	N, A	Ext. Spdl, CWF, 1-1/2 OS, -20, 8.5#	Yes	Yes	450
SC, DA, PH, F	127	85,90,95,105	N, S	Ext. Spdl, CWF, -20, 8.5#	Yes	Yes	250
SC, DA, PH	427	85,90,95,105	N, S	Ext. Spdl, CWF, 8.5#	Yes	Yes	250
SC	F327	90	N	Extended Spindle	Yes	No	250
SC, DA, PH, F	L27	85,90,95,105	N, S	Ext. Spdl, CWF, -20, 8.5#	Yes	Yes	1500
SC, PH, F	L27-180	180	N, A	Ext. Spdl, CWF, -20, 8.5#	Yes	Yes	1500
SC, DA, PH, F	Q27/QT	85,90,95,105	N, S	Ext. Spdl, CWF, -20, 8.5#	Yes	Yes	350
SC, DA, PH, F	HM27	85,90,95,105	N, S	Ext. Spdl, CWF, -20, 8.5#	Yes	Yes	250
PH, F	20	180	N	Ext. Spdl, -20, 8.5#	Yes	No	200
Center Hung Closers							
SC, DA, PH	28 x 554	85,90,95,105	N, S	Ext. Spdl, CWF, 8.5#	Yes	Yes	350
SC, DA, PH, W	28	85,90,95,105	N, S	Ext. Spdl, CWF, 8.5#	Yes	Yes	350
SC, DA, PH	H28	85,90,95,105	N, S	Ext. Spdl, CWF, 8.5#	Yes	Yes	1000
SC, DA, PH	H28 x 587	85,90,95,105	N, S	Ext. Spdl, CWF, 8.5#	Yes	Yes	1000
SC, DA, PH	328	85,90,95,105	N, S	Ext. Spdl, CWF, 8.5#	Yes	Yes	325
SC, DA, PH	428	85,90,95,105	N, S	Ext. Spdl, CWF, 8.5#	Yes	Yes	325
SC, PH, W	30	90,100	N, A	Ext. Spdl, CWF, 8.5#	No	No	200
SC, PH, W	40	90,100	N, A	Ext. Spdl, CWF, 8.5#	No	No	300
SC, PH	H40	90,100	N, A	Ext. Spdl, CWF, 8.5#	No	No	1000
SC, PH	H40 x 587	90,100	N, A	Ext. Spdl, CWF, 8.5#	No	No	1000

* Offset closer weights are for 3/4' and the use of an intermediate pivot

HOW TO ORDER



[^]Hanging means template must accompany request for quote, prior to ordering.

*Degree must be furnished for hold open units only.

*Model 428 available in only 605, 629 & 630