

5800 SERIES ADAEZ® LOW ENERGY OPERATOR

SPECIFICATIONS

WIRELESS INTERFACE MODULE (ADA1028W)

System Description:

The Wireless Interface Module allows the 5800 door operator to interface to 5800 wired or wireless push buttons, wireless remote, an electric lock, fire panel, access control, and an outside push button disable contact. The ADAEZ WIM can be used with any 5800 ADAEZ model PRO, PLUS, PRO COMPLETE.



Mounting:

The WIM (4.25" W x 5.75" H) is designed to fit inside a power supply cabinet, using a supplied plastic mounting plate with double sided tape and fasteners.

Inputs:

- » Power input: 24VDC
- » Hardwire push buttons input: separate INSIDE and an OUTSIDE activation input
- » Wireless push button input: separate INSIDE and an OUTSIDE RF activation input
- » Handheld transmitter input: (p/n ADA1031 HAND-HELD-TX) interface
- » Operator connection cable: Plug in ADAEZ swing door cable connector interface
- » Lock power: Dry contact SPDT to power an electric lock
- » Outside push button disable: privacy feature

Outputs:

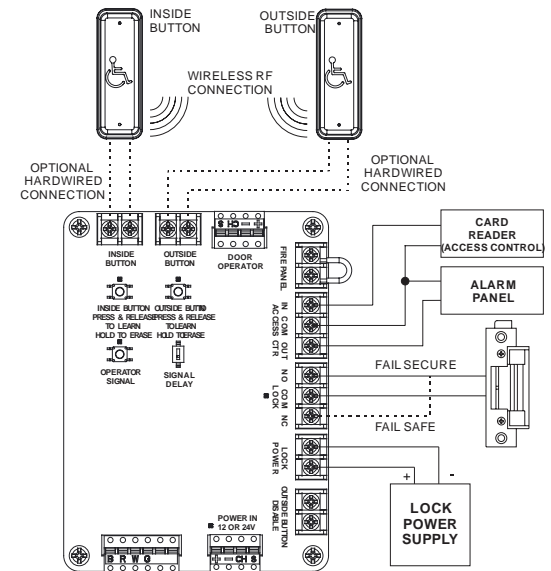
- » Wireless Output: RF signal to activate ADAEZ door opener
- » Output Contacts: SPDT dry contact output for AUX signal
- » Lock Contacts: SPDT dry contact output for LOCK
- » Access Control Contacts: indicates valid Unlock signal
- » Signal Delay Timer: 1.5 second lock release delay
- » Emergency Interface Relay (EIR): disables signal inputs

Codes/Listings:

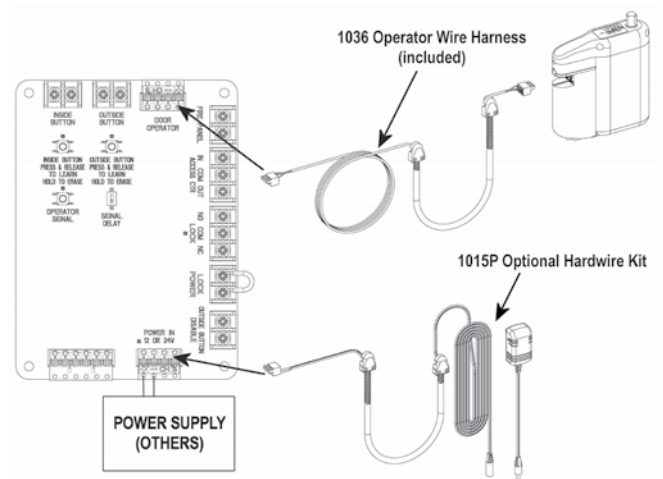
- » UL
- » FCC 47CFR 15C and RSS 210

TECHNICAL INFORMATION: WIRING DIAGRAMS

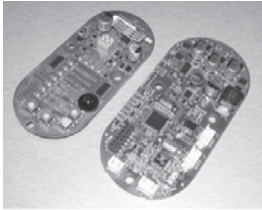
Electric Strike with RF or Wired Push Buttons and Card Reader (or other Access Control)



Wiring the WIM and Operator



REPLACEMENT PARTS / ACCESSORIES / KITS

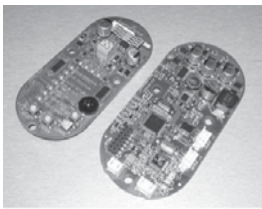


ADA1005
Electronic Control Kit for ADAEZ
(older) Setup and PC Board

ADA1005E
Electronic Control Kit for ADAEZ
Europe Setup and PC Board

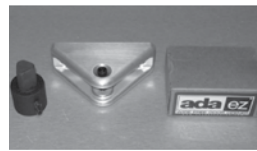


A1031
A1031 (order 1031E
for Europe) Hand Held
Remote Control

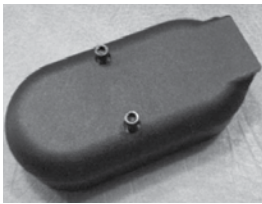


ADA1005P
Electronic Control Kit for ADAEZ
PRO Setup and PC Board

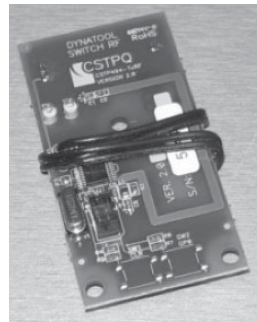
ADA1005NY
Electronic Control Kit for ADAEZ
NYCTRD Setup and PC Board



ADA1021
Kit to Convert to a PULL
Side Mount



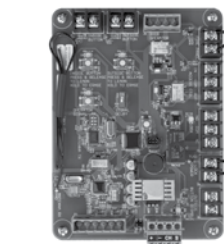
ADA1026
Bottom Cover with Two Screws



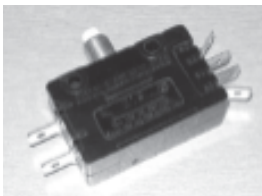
ADA1008
Wireless Push Button
Transmitter (Circuit
Board Only)



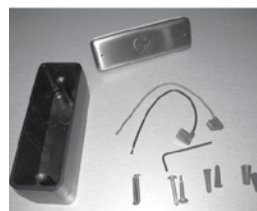
ADA1025
Multi-Purpose Timer



ADA1028W
Wireless Interface Module



ADA1022
Kit to Convert SPDT Switch
to DPDT Switch



ADA1012-1
1 3/4" (4.5 cm) Push
Button Assembly without
RF Transmitter