

1096 / 1097 Series

Anti-Vandal Pulls



1097HANC SHOWN

A standard in the industry, Trimco **1090 Series** Anti-Vandal Pulls are engineered for the most demanding applications. Made from 1/8" type 316 stainless steel, bronze or brass these pulls are the ideal choice for protecting doors at schools, parks, public buildings and commercial buildings. Trimco's 1090 Series pulls do not have exposed handles or fasteners that can be tampered with and are available to mate different locksets and exit devices for both in swing and out swing doors.

APPLICATIONS

- Schools
- Prisons
- Commercial & Industrial Buildings
- Government Facilities
- Retail / Strip Malls

ANTI-VANDAL TRIM

PRODUCT FEATURES

- 1/8" type 316 stainless steel, bronze or brass construction
- Can be mated to different locksets and exit devices
- Available with or without an astragal

SPECIFICATIONS

STANDARDS

Meets California State
Prison strength tests

WARRANTY

Lifetime Mechanical &
Limited Finish Warranty

MATERIAL OPTIONS

BR – Brass
BZ – Bronze
SS – Stainless Steel

OTHER NOTES

Patent #354,670

PULL STYLES

- 1096HA** Pull with astragal for use with mortise locks and exit devices
- 1097HA** Pull without astragal for use with mortise locks and exit devices
- 1098RG** Pull with astragal for cylindrical locks (pull side)
- 1099RG** Pull without astragal for cylindrical locks (push side)

FINISHES

605	Polished Brass
606	Satin Brass, Dull
612	Satin Bronze
613	Oil Rubbed Bronze
630	Satin Stainless Steel
SPEC	Special Options Available

1096 / 1097 Series

Anti-Vandal Pulls

HOW TO SPECIFY & ORDER

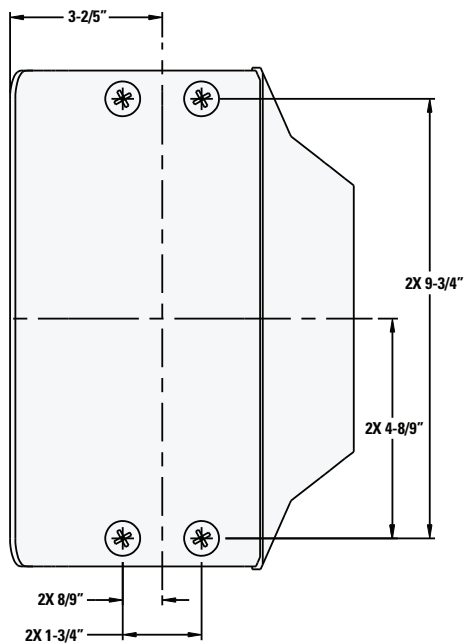
CHOOSE THE FOLLOWING

SERIES	OPTIONS	FINISHES
<ul style="list-style-type: none"> • 1096HA Pull with astragal for use with mortise locks and exit devices • 1097HA Pull without astragal for use with mortise locks and exit devices • 1098RG Pull with astragal for cylindrical locks (pull side) • 1099RG Pull without astragal for cylindrical locks (push side) 	<ul style="list-style-type: none"> • FC – Flush Cylinder • NC – No Cylinder Cutout • SP – Special Prep for different exit devices • BTB – Back to Back 	<ul style="list-style-type: none"> • 605 Polished Brass • 612 Satin Bronze • 630 Satin Stainless Steel • SPEC – Special Finish (See finish list for all options)

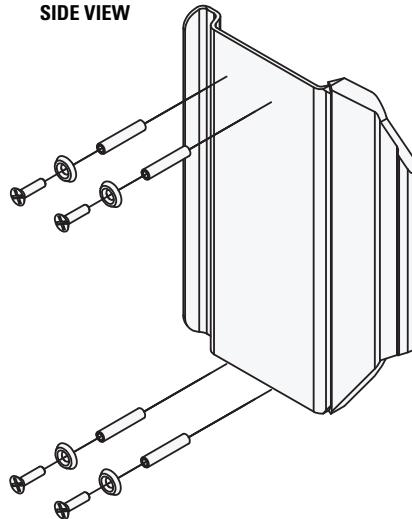
EXAMPLE

For an anti-vandal pull with astragal to mate with a Precision 2200 Series exit device in satin stainless steel, specify or order **1097SPHA.630**

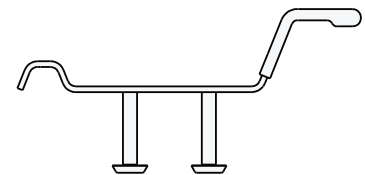
FRONT VIEW



SIDE VIEW



TOP VIEW



* Dimensions are informational only. Templates are available at www.trimcobbw.com