

CEPT

Concealed Electric Power Transfer

- Direct replacement for Von Duprin EPT-2 and EPT-10 - including door/frame preparation
- Provides a concealed wiring pathway when mortised into the door and frame above the second hinge
- All stainless steel construction - no plastic parts
- Four architectural finishes including US32D (stainless), US04 (dull bronze), US10 (dull brass) and US10B (oil-rubbed bronze)
- Tamper resistant - no exposed openings prevents foreign objects from reaching the wires or jamming the device
- 10 wire configuration includes 2 - 18AWG wires which takes the guesswork out of connecting devices
- Available with CAT-5E and ElectroLynx connectors
- 7/8" knockouts on back boxes accommodate EMF-type fittings
- Tested to 1,000,000 cycles
- Will only function with butt hinges up to 6"
- Will not function on center-hung or balanced doors
- Will work with Continuous Hinges - please check with Continuous Hinge Manufacturer as to their cutout availability and charge for this cutout



US32D

US04

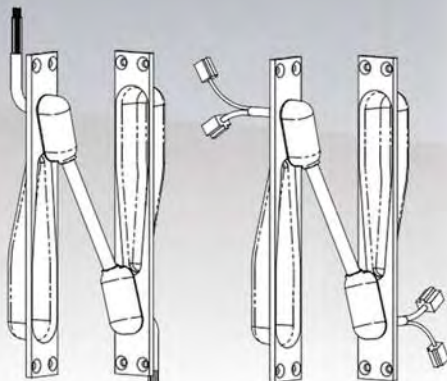
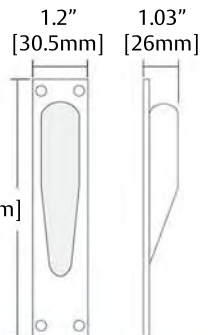
US10

US10B

Part#	Description
CEPT-10	2 - 18 AWG wires, 8-22 AWG wires, US32D
EL-CEPT	12-22 AWG wires, ElectroLynx connectors, US32D
CEPT-C5E	9-22 AWG wires, stranded conductor, Molex connectors, US32D
CEPT-10-04	2 - 18 AWG wires, 8-22 AWG wires, US04 finish
EL-CEPT-04	12-22 AWG wires, ElectroLynx connectors, US04
CEPT-C5E-04	9-22 AWG wires, stranded conductor, Molex connectors, US04
CEPT-10-10	2 - 18 AWG wires, 8-22 AWG wires, US10
EL-CEPT-10	12-22 AWG wires, ElectroLynx connectors, US10
CEPT-C5E-10	9-22 AWG wires, stranded conductor, Molex connectors, US10
CEPT-10-10B	2 - 18 AWG wires, 8-22 AWG wires, US10B
EL-CEPT-10B	12-22 AWG wires, ElectroLynx connectors, US10B finish
CEPT-C5E-10B	9-22 AWG wires, stranded conductor, Molex connectors, US10B

Hinge
 $\leq 5''$ Butt Hinge
 5-1/2'' Butt Hinge
 6'' Butt Hinge

Door Opening Range
 0 - 180 Degrees
 0 - 130 Degrees
 0 - 110 Degrees



CEPT-10

CEPT-C5E, EL-CEPT



ASSA ABLOY, the global leader in door opening solutions

Call 1-800-MAGLOCK
www.securitron.com

