

# 920LM/DM

## IC: Cam Lock for Schlage Full-Size Cores



For SCHLAGE  
full-size  
interchangeable  
core cylinders

**ANSI/BHMA Grade 1  
E07261 | E07271**  
**Woodwork Institute (WI)  
acknowledged product**

### SPECIFICATIONS

**ANSI/BHMA:** Passed ANSI/BHMA A156.11 Grade 1 performance requirements. Equivalent to E07261/E07271.

**Cylinder diameter:** 1-1/8"

**Across flats:** 7/8"

**Max. material thickness:** 1-3/16"

**Min. material thickness:** 0.08"

**Functions:** Includes parts for key-retaining or non-key-retaining function

**Body:** Zinc die cast

**Finish:** 26D or US3

**Packaged:** 10 per box

### CYLINDER INFORMATION

**Cylinder:** Not included

**Accepts:** Schlage large format/full-size IC cylinders

- Schlage Quad, Numbered Section, and Schlage Classic IC cores
- Schlage Primus® and Everest large format IC cores
- Mul-T-Lock large format IC cores

**Compatible electronic cylinders:** VIDEX CyberLock LFIC cylinders

### INCLUDED ACCESSORIES

7788-PA-D actuator to operate lock without core

720-PL3 anti-rotation plate

720-3-1 short inverted cam

720-3-2 long vertical cam

720-CDLM lost motion cam shifter

720-CDDM key retaining door cam shifter

720-KR key retaining drawer cam shifter

### OPTIONAL ACCESSORIES

**Optional cams:** 7-3-2, 7-3-3, 7-3-4, 7-3-5

**Trim collars:** TR200 Series

**Switch accessory pack:** SW-1

**CL-MP-118:** Double-D metal punch

ANSI/BHMA No.  
E07261 / E07271



US26D Finish

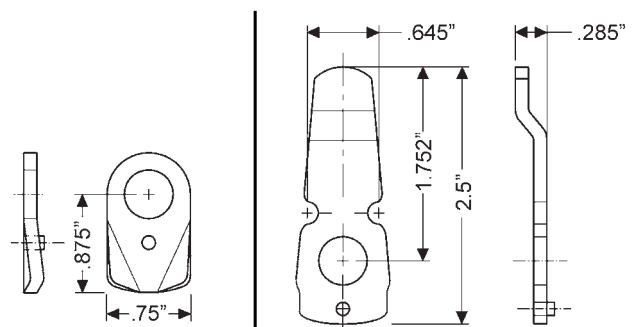


US3 Finish

720-PL3  
Anti-rotation plate  
included



### INCLUDED CAMS



720-3-1  
for inverted function

720-3-2  
inbent cam for vertical function  
(bottom-pin style)

# 920LM/DM

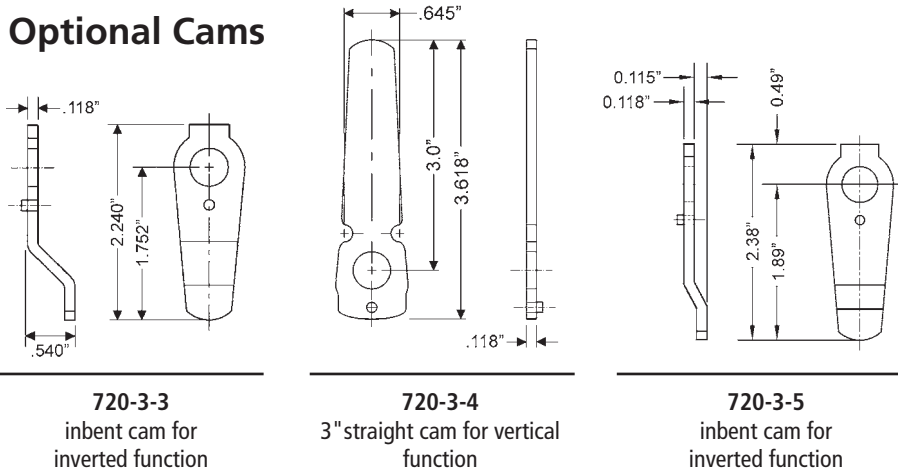
IC: Cam Lock for Schlage  
Full-Size Cores

ANSI/BHMA Grade 1  
E07261 | E07271

Woodwork Institute (WI)  
acknowledged product

**OPTIONAL ACCESSORIES** - See our website for a complete list of optional components.

## Optional Cams



## CL-MP-118 Double-D Metal Punch

Hole size: Punches a DOUBLE "D" hole size approximately 7/8" wide by 1-1/8" high.



## TR200 Series Trim Collars

Finish: TR201, TR202 and TR203 available in US32D or US3 finish. TR204\* available in US32D finish only.



## DIMENSIONS

