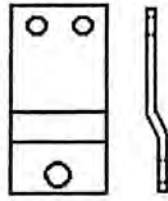
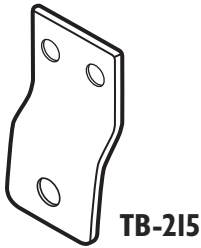


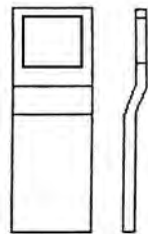
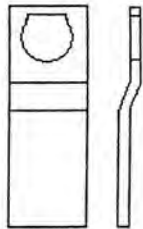
TABS & GUIDES



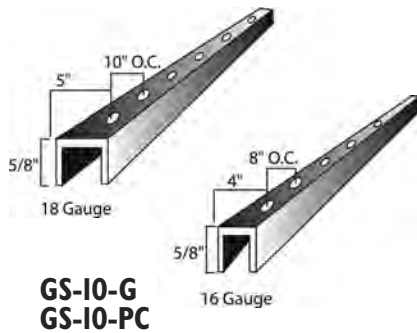
NUMBER	DIMENSIONS		OFFSET	MATERIAL
	LENGTH	WIDTH		
TB-215	1"	1 1/2"	1/8"	Steel
FBT-I	2 1/2"	7/8"	1/8"	
FBG-I-D	2 1/2"	7/8"	5/16"	
FBG-I-SQ	3 1/4"	1 3/4"	5/16"	

SHELF PACK: 50  
FINISH: Raw Steel

Box Pack



GLAZING BEAD



NUMBER	SIZE	GAUGE	MATERIAL
GS-10-G	5/8" x 5/8" x 5/8"	18	Galvanized
GS-10-PC	5/8" x 5/8" x 5/8"	16	Steel

SHELF PACK: 50

PIPE SLEEVE ANCHORS



NUMBER	SIZES	GAUGE	MATERIAL
PSA	4 3/4", 5 3/4", 6 3/4", 7 3/4", 8 1/4", 8 3/4"	11	Steel

SHELF PACK: 50

Box Pack

**HOW TO ORDER:**  
Part # x Size, i.e.: PSA-5 3/4